

CMR1-02 CMR1-06
 CMR1-04 CMR1-10

**SURFACE MOUNT
 GENERAL PURPOSE
 SILICON RECTIFIER
 1 AMP, 200 THRU 1000 VOLTS**



www.centrasemi.com

DESCRIPTION:

The CENTRAL SEMICONDUCTOR CMR1-02 Series 1.0 Amp Surface Mount Silicon Rectifier is a high quality, well constructed, highly reliable component designed for use in all types of commercial, industrial, entertainment, computer, and automotive applications. To order devices on 12mm Tape and Reel (3000/13" Reel), add TR13 suffix to part number.

MARKING CODE: SEE MARKING CODE TABLE ON FOLLOWING PAGE



SMB CASE

FEATURES:

- Special selections available
- Low cost
- Superior lot to lot consistency
- High reliability
- "C" bend construction provides strain relief when mounted on pc board
- Glass passivated chip

MAXIMUM RATINGS: ($T_A=25^{\circ}\text{C}$ unless otherwise noted)

	SYMBOL	CMR1-02	CMR1-04	CMR1-06	CMR1-10	UNITS
Peak Repetitive Reverse Voltage	V_{RRM}	200	400	600	1000	V
DC Blocking Voltage	V_R	200	400	600	1000	V
RMS Reverse Voltage	$V_{R(RMS)}$	140	280	420	700	V
Average Forward Current ($T_A=75^{\circ}\text{C}$)	I_O			1.0		A
Peak Forward Surge Current, $t_p=8.3\text{ms}$	I_{FSM}			30		A
Operating and Storage Junction Temperature	T_J, T_{stg}			-65 to +175		$^{\circ}\text{C}$
Thermal Resistance	θ_{JL}			20		$^{\circ}\text{C/W}$

ELECTRICAL CHARACTERISTICS: ($T_A=25^{\circ}\text{C}$ unless otherwise noted)

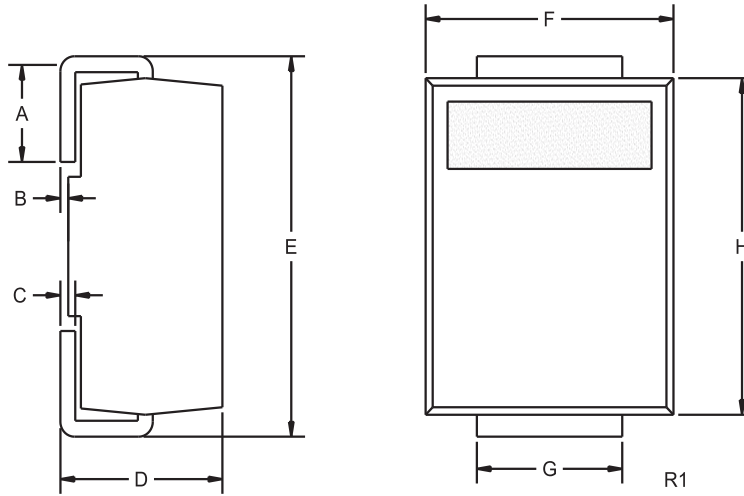
SYMBOL	TEST CONDITIONS	MAX	UNITS
I_R	$V_R=\text{Rated } V_{RRM}$	10	μA
I_R	$V_R=\text{Rated } V_{RRM}, T_A=125^{\circ}\text{C}$	50	μA
V_F	$I_F=1.0\text{A}$	1.1	V

CMR1-02 CMR1-06
 CMR1-04 CMR1-10



**SURFACE MOUNT
 GENERAL PURPOSE
 SILICON RECTIFIER
 1 AMP, 200 THRU 1000 VOLTS**

SMB CASE - MECHANICAL OUTLINE



DEVICE	MARKING CODE
CMR1-02	C02
CMR1-04	C04
CMR1-06	C06
CMR1-10	C10

SYMBOL	DIMENSIONS			
	INCHES		MILLIMETERS	
	MIN	MAX	MIN	MAX
A	0.030	0.060	0.76	1.52
B	0.004	0.008	0.10	0.20
C	0.006	0.012	0.15	0.30
D	0.086	0.096	2.18	2.44
E	0.200	0.220	5.08	5.59
F	0.130	0.150	3.30	3.81
G	0.077	0.083	1.96	2.11
H	0.160	0.180	4.06	4.57

SMB (REV: R1)

R5 (3-February 2010)

OUTSTANDING SUPPORT AND SUPERIOR SERVICES



PRODUCT SUPPORT

Central's operations team provides the highest level of support to insure product is delivered on-time.

- Supply management (Customer portals)
- Inventory bonding
- Consolidated shipping options
- Custom bar coding for shipments
- Custom product packing

DESIGNER SUPPORT/SERVICES

Central's applications engineering team is ready to discuss your design challenges. Just ask.

- Free quick ship samples (2nd day air)
- Online technical data and parametric search
- SPICE models
- Custom electrical curves
- Environmental regulation compliance
- Customer specific screening
- Up-screening capabilities
- Special wafer diffusions
- PbSn plating options
- Package details
- Application notes
- Application and design sample kits
- Custom product and package development

CONTACT US

Corporate Headquarters & Customer Support Team

Central Semiconductor Corp.
145 Adams Avenue
Hauppauge, NY 11788 USA
Main Tel: (631) 435-1110
Main Fax: (631) 435-1824
Support Team Fax: (631) 435-3388
www.centalsemi.com

Worldwide Field Representatives:
www.centalsemi.com/wwreps

Worldwide Distributors:
www.centalsemi.com/wwdistributors

For the latest version of Central Semiconductor's **LIMITATIONS AND DAMAGES DISCLAIMER**, which is part of Central's Standard Terms and Conditions of sale, visit: www.centalsemi.com/terms