

C5750JB2E474M230KA

TDK Item Description : C5750JB2E474MT****

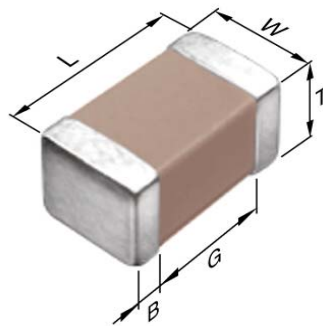


Application & Main Feature

Commercial Grade (Mid Voltage (100 to 630V))

Series

C5750 [EIA CC2220]



Dimensions

L 5.70mm +/-0.4mm
 W 5.00mm +/-0.4mm
 T 2.30mm +/-0.2mm
 B 0.20mm Min.
 G

Temperature Characteristic

JB (-25 to 85 degC +/-10%)

Rated Voltage

2E (250Vdc)

Capacitance

470nF

Capacitance Tolerance

M (+/-20%)

Dissipation Factor

3% Max.

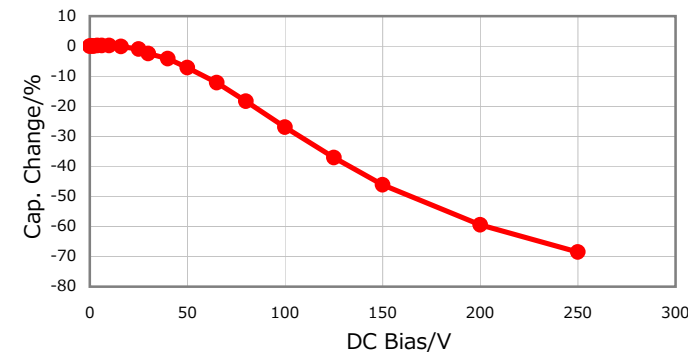
Insulation Resistance

1.06Gohm Min.

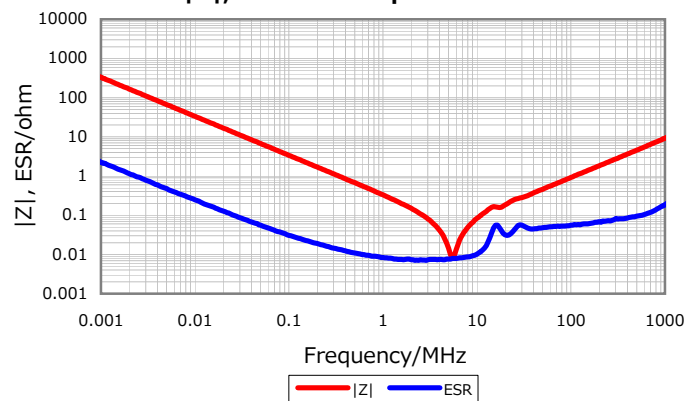
AEC-Q200

Not Applicable

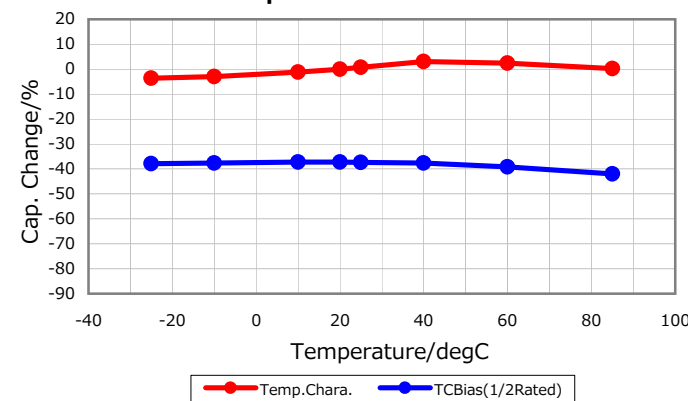
DC Bias Characteristic



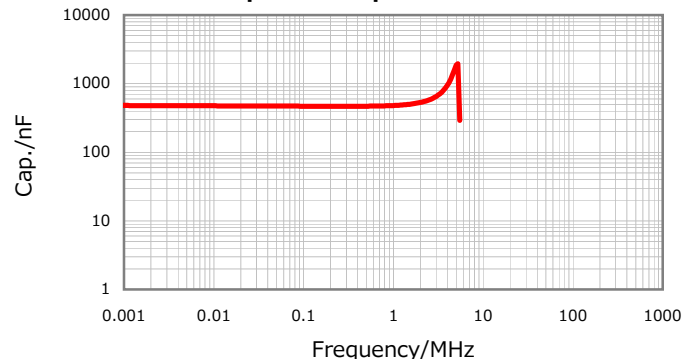
|Z|, ESR vs. Freq. Characteristics



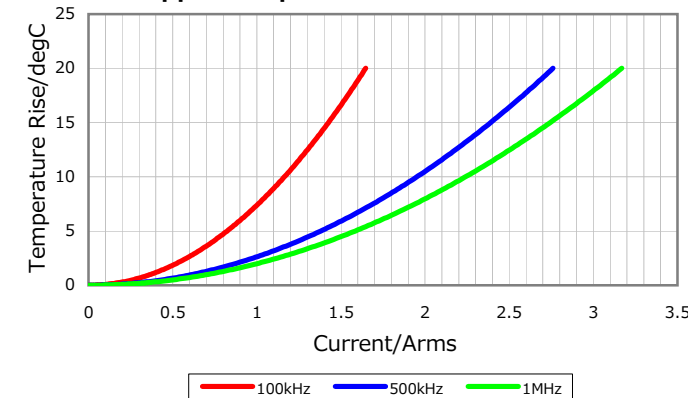
Temperature Characteristics



Cap. vs. Freq. Characteristic



Ripple Temperature Rise Characteristics



Characterization Sheet (Multilayer Ceramic Chip Capacitors)



⚠ All specifications are subject to change without notice.

January 4, 2016