

Contents

<i>Description</i>	<i>Page</i>
CH global modular fuse holders and accessories	9-2
Remote fuse monitoring - CH-PLCCH	9-6
Comb-bus bar specifications and selection guide	9-7
Comb-bus bar features and installation guide	9-8
CH Class J modular fuse holders	9-9
OPM-1038(R)SW(C) 3-pole fuse holders with disconnect switch	9-10
OPM-1038 3-pole fuse holders	9-11
OPMNGA- 3-pole Class CC and 13/32" X 1 1/2" fuse overcurrent protection modules	9-12
JT(N)60030 and JT(N)600600 Safety J™ Class J fuse holders	9-14
SAMI™ fuse covers	9-16
Modular knifeblade fuse holders	
Class R, H(K), 250 and 600V	9-17
Class J, 600V	9-21
Class J power distribution fuse block	9-22
Class H(K), J and R module ferrule fuse blocks – 250 and 600V	9-24
JP Class J fuse blocks	9-31
Class CC and supplemental modular ferrule fuse blocks – BCM and BMM	9-32
1000Vdc modular photovoltaic ferrule fuse blocks – BPVM	9-34
T300 300V Class T fuse blocks	9-36
T600 600V Class T fuse blocks	9-38
Class G fuse blocks	9-40
BH high speed fuse modular fuse blocks	9-41
Class H and J modular fuse blocks	9-41
Plug fuse box cover units	9-42
HFB and HFB-10 in-line fuse holders for 1/4" X 1 1/4" fuses	9-43
HHB and HRK universal in-line fuse holders for 1/4" dia. fuses	9-43
HR and HM in-line fuse holders for 1/4" dia. fuses	9-44
HFA waterproof in-line fuse holders for 1/4" X 1 1/4" fuses	9-44
HHT in-line fuse holders for 5 X 15 to 20mm fuses	9-44
HE_ in-line fuse holders	9-45
HEB in-line fuse holders for 13/32" X 1 1/2" fuses	9-46
Panel mounted fuse holders for 5 X 20mm fuses	9-48
Panel mounted fuse holders for 1/4" X 1 1/4" fuses	9-49
Panel mounted fuse holders for 5 X 20mm and 1/4" X 1 1/4" fuses	9-50
Panel mounted fuse holders for indicating type fuses	9-52
Panel mounted fuse holders for 13/32" X 1 5/16" to 1 1/2" fuses	9-53
Panel mounted fuse holders for 13/32" X 1 1/2" fuses	9-54
Fuse blocks for 1/4" X 1 1/4" fuses	9-55
Fuse blocks for 1/4" X 1" fuses	9-56
Fuse blocks for 13/32" X 1 1/2" fuses	9-57
Rail mount fuse holders and blocks	9-58

RED indicates NEW information

CH Series - 8x32, 10x38, 14x51, 22x58, Class CC

Specifications

Description: The 'CH' line of modular fuse holders accommodates many fuses from around the world, including North American Class-CC, Midget, Class gR, aR HSF, and IEC Industrial Ferrule (Class gG and aM) in four physical sizes: 8x32, 10x38, 14x51 and 22x58mm.

Agency information:

UL File E14853
Guide IZLT Listed, IZLT2 Recognized
CSA: File 47235, CHPV and CHM - Class 6225-30,
CHCC - Class 6225-01. RoHS compliant. CE, CCC.

Ratings:

600V/30A (UL)
690V/32A (IEC)

Wire range:

#18 to #4 (0.8mm² to 21.1mm²)

Torque ratings:

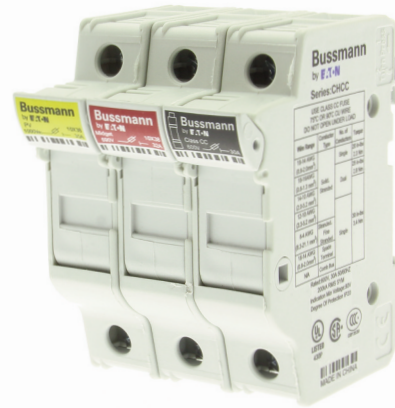
30 Lb-In (3.4 N•m) maximum

Flammability ratings:

UL 94V0, self-extinguishing

Storage and operating temperature range:

-20°C to +90°C (indicating)
-20°C to +120°C (non-indicating)



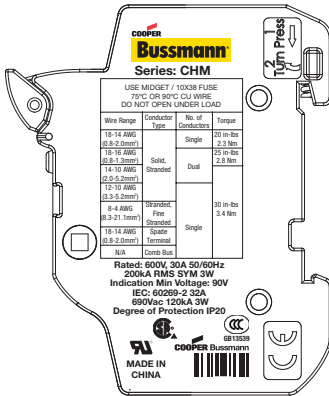
Features/benefits

- High SCCR rated, UL Listed Class CC holder with indicator option for 600Vac/dc and 48Vdc.
- UL Recognized midget and 10 x 38 holders with factory assembled neutral pole option.
- Agency ratings up to 1000Vdc for use with 10 x 38 solar PV fuses.
- Available remote PLC indication with the CH-PLC module.
- Terminals rated for use with 75°C or 90°C wire, fine stranded wire, spade terminals and comb-bus bars. Use any higher temperature rated wire with appropriate derating.
- Complete range of UL Listed and high SCCR rated 1-phase and 3-phase finger-safe comb-bus bars and power feed lugs.

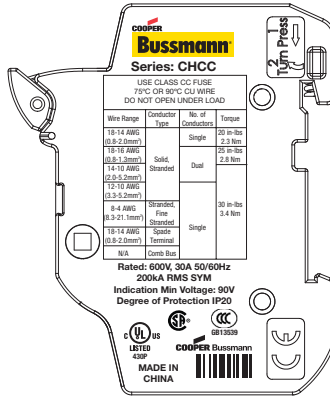
Symbol and size	Catalog numbers		Voltage and current	Agency markings	Number of poles	Terminal rating	Withstand rating	Bussmann series fuses
	With indicator	Without indicator						
CHM 10X38 and Midget	CHM1DIU	CHM1DU	UL	UR; IEC	1	Solid, stranded, fine stranded, spade lug, comb bus bar; single and dual wire; 75°C and 90°C Cu wire	200kA* RMS Sym	FNQ, KLM, FNM, KTK, BAF, FWA, PVM, C10, AGU, BAN, FWC
	CHM2DIU	CHM2DU	600V/30A;	60269-2;	2			
	CHM3DIU	CHM3DU	IEC	CSA; CCC;	3			
	CHM4DIU	CHM4DU	690V/32A	CE	4			
	CHM1DCIU	CHM1DCU	UL		1			
	CHM2DCIU	CHM2DCU	600Vac/30A	UR; IEC	2			
	CHM3DCIU	CHM3DCU	1000Vdc/30A	60269-2	3			
	CHM4DCIU	CHM4DCU	IEC	CSA; CE	4			
	CHM1DNIU	CHM1DNU	UL	IEC	1 pole + 1 Neutral			
	CHM3DNIU	CHM3DNU	600V/30A; IEC	60269-2; CE	3 pole + 1 neutral			
		690V/32A						
		UL 48Vdc/30A; IEC	UR; IEC	1				
		48Vdc/32A	60269-2; CSA; CCC; CE					
	CHM1DNXU	IEC 690V/32A	IEC 60269-2; CE	1 neutral				
CHPV	CHPV1IU	CHPV1U	UL and IEC;	UL; CSA; CE	1			
	CHPV2IU	CHPV2U	1000Vdc/30A	UL 4248-18; IEC 60269-1; CCC	2			
CHCC Class CC	CHCC1DIU	CHCC1DU	UL 600V/30A	UL; CSA; CCC; CE	1			
	CHCC2DIU	CHCC2DU			2			
	CHCC3DIU	CHCC3DU			3			
	CHCC1DI-48U				1			
		UL 48Vdc/30A						

*Actual SCCR dependent on fuse rating.

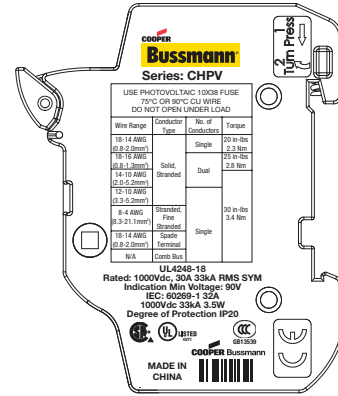
CHM and CHMI



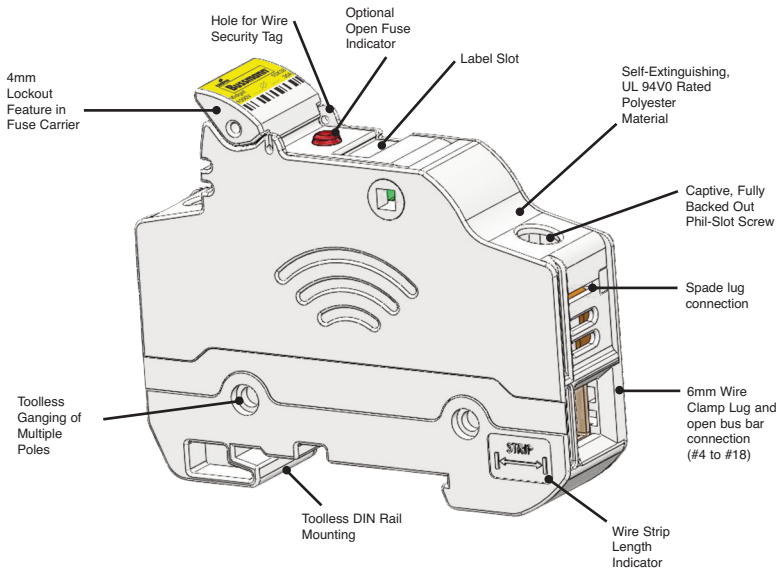
CHCC and CHCCI



CHPV and CHPVI

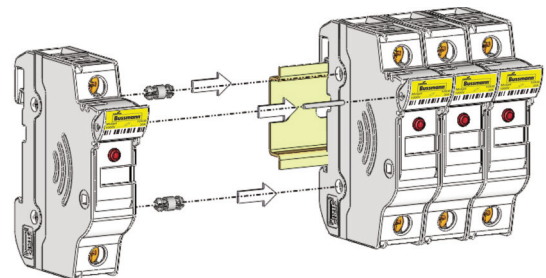


Features



Multi-pole ganging

Use multi-pole connection kit part number JV-L to gang multiple poles together. One JV-L kit is sufficient to gang up to 4 poles.



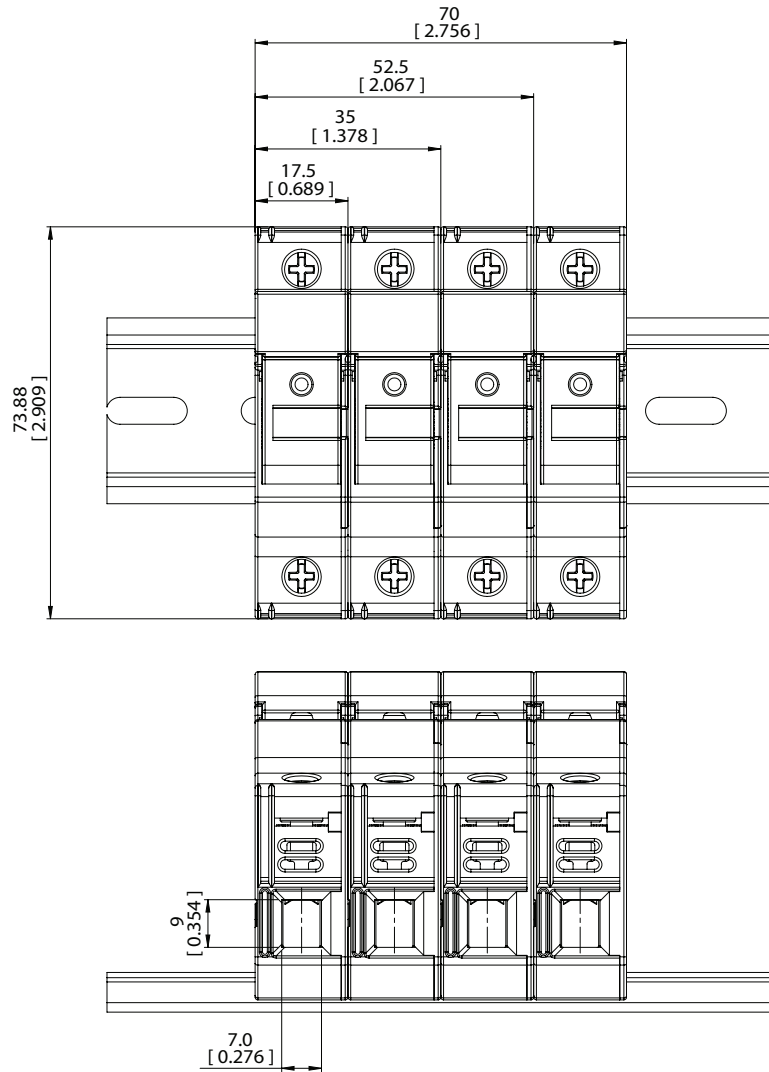
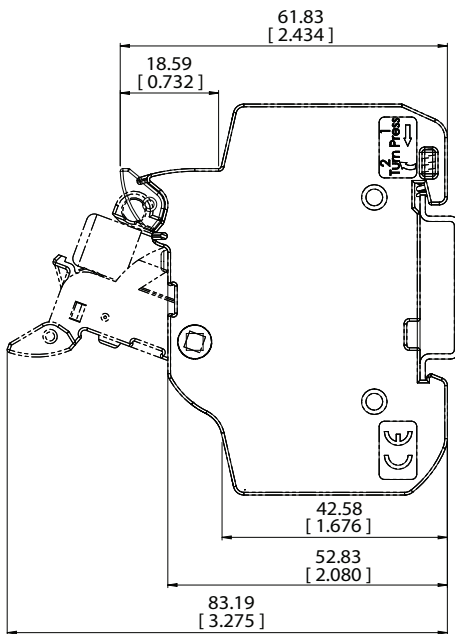
For additional information see reorder #3185

9

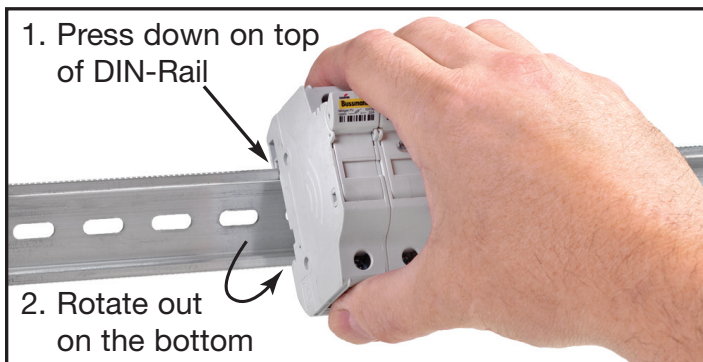
Fuse holders and blocks

Rail mount fuse blocks and holders

Dimensions - mm (in) (CHCC, CHM and CHPV)



Removing instructions





Catalog numbers									
Without indication	With* indication	Size	Max voltage and Current	IEC	UL	Phase configuration	No. of 17.5mm modules	Wire range	Maximum torque
CH081D	CH081DI	CH08 8x32	IEC 400Vac 25A	•		1-pole	1	1-16mm ² (18-8 AWG)	2.5 N•m (22LB-In)
CH081DNX	-			•		1 Neutral Pole	1		
CH081DNS	CH081DNSI			•		1-pole + Neutral	1	1-10mm ² (18-8 AWG)	2.0 N•m (17.5LB-In)
CH081DN	CH081DNI			•		1-pole + Neutral	2	1-16mm ² (18-8 AWG)	2.5 N•m (22LB-In)
CH082D	CH082DI			•		2-pole	2		
CH083D	CH083DI			•		3-pole	3		
CH083DNS	CH083DNSI			•		3-pole + Neutral	3		
CH083DN	CH083DNI			•		3-pole + Neutral	4		
CH084D	CH084DI			•		4-pole	4		
CHM1DU	CHM1DIU			CHM 10X38 and Midget	UL	•	*	1-pole	1
CHM2DU	CHM2DIU	600V/30A;	•		*	2-pole	2		
CHM3DU	CHM3DIU	IEC	•		*	3-pole	3		
CHM4DU	CHM4DIU	690V/32A	•		*	4-pole	4		
CHM1DCIU	CHM1DCU	UL 600Vav/30A	•		*	1-pole	1		
CHM2DCIU	CHM2DCU	1000Vdc/30A	•		*	2-pole	2		
CHM3DCIU	CHM3DCU	IEC	•		*	3-pole	3		
CHM4DCIU	CHM4DCU	690V/32A	•		*	4-pole	4		
CHM1DNU	CHM1DNIU	UL 600V/30A;	•		*	1-pole + Neutral	2		
CHM3DNU	CHM3DNIU	IEC 690V/32A	•		*	3-pole + Neutral	4		
-	CHM1DI-48U	UL 48Vdc/30A;	•	*	1-pole	1			
		IEC							
		48Vdc/32A							
CHM1DNXU	-	IEC 690V32A	•		1-pole + Neutral	2			
CHPV1U	CHPV1IU	CHPV	UL & IEC; 1000Vdc/30A	•	†††	1-pole	1	1-21mm ² (18-4 AWG)	3.4 N•m (30LB-In)
CHPV2U	CHPV2IU			•	†††	2-pole	2		
CHCC1DU	CHCC1DIU	CHCC Class CC	UL 600V/30A		**	1-pole	1		
CHCC2DU	CHCC2DIU				**	2-pole	2		
CHCC3DU	CHCC3DIU				**	3-pole	3		
-	CHCC1DI-48U				**	1-pole	1		
CH141B	CH141BI	CH14 14x51	UL 600Vac/dc 40A (5 Watt) IEC 690Vac, 50A	•		1-pole	1.5	2.5-16mm ² (14-6 AWG)	3.0 N•m (26LB-In)
CH141BMS	-			•		1-pole + Microswitch	1.5		
CH141BNX	-			•		1 Neutral Pole	1.5		
CH141BN	CH141BNI			•		1-pole + Neutral	3		
CH142B	CH142BI			•	†	2-pole	3		
CH143B	CH143BI			•	†	3-pole	4.5		
CH143BMS	-			•		3-pole + Microswitch	4.5		
CH143BN	CH143BNI			•		3-pole + Neutral	6		
CH143BNMS	-			•		3-pole + Neutral + Microswitch	6		
CH144B	CH144BI			•		4-pole	6		
CH221B	Not Available	CH22 22x58	UL 600Vac/dc, 100A (9.5 Watt) IEC 690Vac, 125A	•	†	1-pole	2	2.5-50mm ² (14-1 AWG)	4.0 N•m (35LB-In)
CH221BMS	Available with local neon indication (remote microswitch only)			•		1-pole + Microswitch	2		
CH221BNX				•		1 Neutral Pole	2		
CH221BN				•		1-pole + Neutral	4		
CH222B				•		2-pole	4		
CH223B				•	†	3-pole	6		
CH223BMS				•		3-pole + Microswitch	6		
CH223BN				•	†	3-pole + Neutral	8		
CH223BNMS				•		3-pole + Neutral + Microswitch	8		
CH224B				•		4-pole	8		
Class J	With indication*								
Without indication	With indication*								
CH30J1	CH30J1I	CH30J	UL/CSA		††	1-pole	—	1-50mm ² (18-1 AWG)	1-8 AWG 4.0 N•m (35LB-In)
CH30J2	CH30J2I	30A	600Vac		††	2-pole	—		10-18 AWG 2.7N•m (24LB-In)
CH30J3	CH30J3I	Class J			††	3-pole	—		
CH60J1	CH60J1I	CH60J	UL/CSA		††	1-pole	—	1-50mm ² (18-1 AWG)	1-8 AWG 4.0 N•m (35LB-In)
CH60J2	CH60J2I	60A	600Vac		††	2-pole	—		10-18 AWG 2.7N•m (24LB-In)
CH60J3	CH60J3I	Class J			††	3-pole	—		

† UL Recognized (cURus) †† UL Listed (cULus) ††† UL Recognized, Standard 4248-18, CSA

For further details see Data Sheets 2053 (CH08, CHM, CHCC, CH14 AND CH22) and 2144 (CHJ Class J)

*90V minimum required for illumination

**12V minimum required for illumination

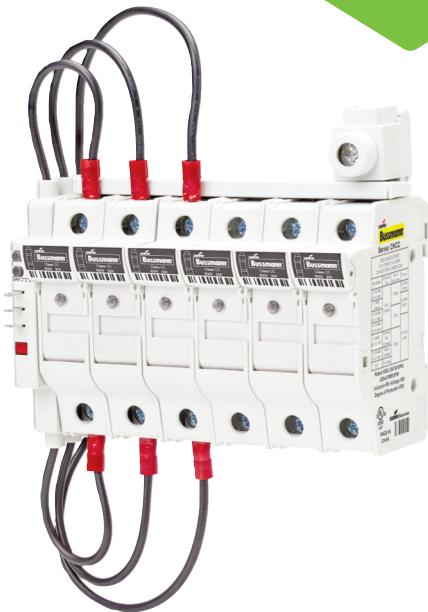
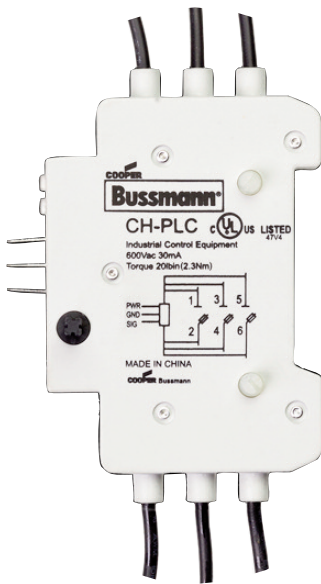
For additional information see reorder #3185

9

Fuse holders and blocks

Global modular fuse holders - remote fuse monitoring accessory CH-PLC

Make it Simple with the Bussmann series resettable three-phase remote fuse monitor that integrates with a Programmable Logic Controller (PLC) or other monitoring and control equipment.



Specifications:

- **Power input:** 24Vdc / 5mA
- **Sensing voltage:** 600V/30mA
- **Output signals:** Digital 0Vdc (low), 24Vdc (high)
 - 0Vdc Low – fuse is good
 - 24Vdc High – fuse has opened
 When the fuse opens, the output signal is sent high and will remain high until the unit is reset
- **Rated impulse voltage:** 8kV
- **Local indication:** Two distinct LEDs indicate unit power (green) and open fuse (red). Upon the replacement of the fuse, the actuation of the reset switch will reset the open fuse LED
- **Flammability rating:** UL 94V0

Wiring:

- For power, signal and ground connections use shielded twisted pair 22-24AWG (0.25mm²) 300V rated wire

Emissions and immunity testing:

- Electrostatic discharge IEC 61000-4-2
- Electrical fast transient/burst IEC 6100-4-4
- Surge immunity IEC61000-4-5

Packaging:

- The CH-PLC is packaged individually
- A single unit monitors up to three phases
- Package includes 0.11" (2.8mm) quick connects for power, signal and ground connections

Minimum circuit voltage:

- Minimum circuit voltage required across the CH holder is 100Vac for the remote indication device to operate

Installation technique:

- Mounts on the left side of the fuse holder and mechanically interlocks with the fuse holder switch handle with hardware provided

IP20 rating: Yes

Environmental data:

- Storage and operating temperature: -20°C to 75°C

Agency information:

- UL 508
- cULus to CSA Standard 22.2 No.14

PLC programming:

- The CH-PLC signal line is designed to provide a digital input to a PLC I/O card.
- Programmable Logic Control program must be written to properly interpret the input signal to the PLC.
- The PLC program should check for consecutive high signals before taking action on a critical process.

De-energize all circuits before installing or removing any CH-PLC devices and follow all prescribed safety procedures.

For additional information see reorder #3185

Specifications

Agency information: UL 508, File E195399

Pitch: 17.8mm

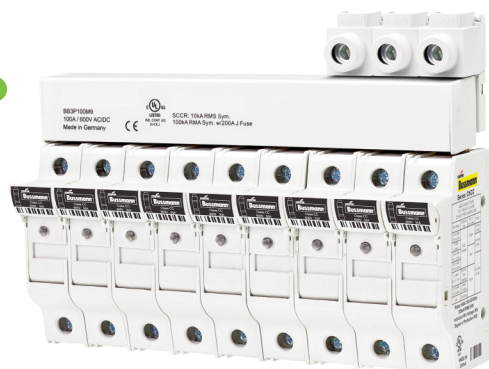
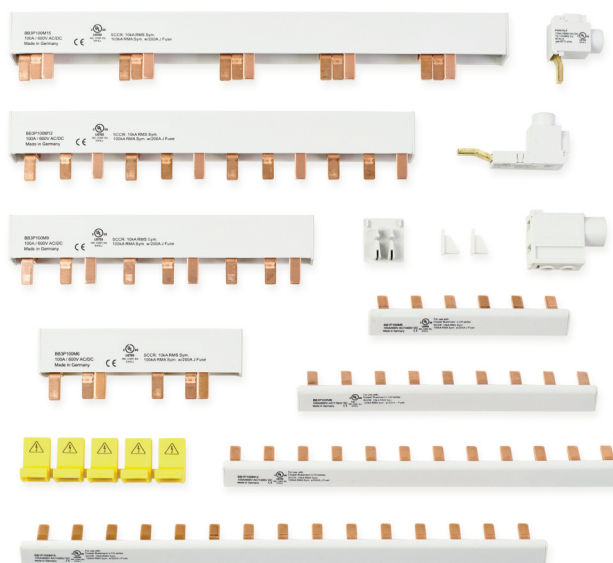
SCCR: 10kA (default)
100kA (with upstream Class J 200A fuses)

Max current: 100A (power feed from end;

Max voltage: 600Vac/dc (three phase)
1000Vdc/600Vac (single phase)

Features and benefits

- Easily distribute power in single-phase or three-phase configurations
- Flexible cut-to-length solutions without compromising on the product's finger-safe features
- 100kA SCCR (Short-Circuit Current Rating) when protected by a 200A Class J fuse
- Single-phase bus bars rated to 1000Vdc and 100A in end-fed configuration
- Three-phase bus bars rated to 600Vac/dc and 100A in end-fed configuration
- Power feed terminals for single-phase and three-phase service



Selection guide

Part number	Description
BB1P100M3	Single-phase 1000Vdc busbar, 100A, 3 pins, assembled endcap
BB1P100M6	Single-phase 1000Vdc busbar, 100A, 6 pins, assembled endcap
BB1P100M9	Single-phase 1000Vdc busbar, 100A, 9 pins, assembled endcap
BB1P100M12	Single-phase 1000Vdc busbar, 100A, 12 pins, assembled endcap
BB1P100M15	Single-phase 1000Vdc busbar, 100A, 15 pins, assembled endcap
BB1P100M57	Single-phase 1000Vdc cuttable busbar, 100A, 57 pins, without endcap
BB3P100M6	Three-phase 600V busbar, 100A, 6 pins, assembled endcap
BB3P100M9	Three-phase 600V busbar, 100A, 9 pins, assembled endcap
BB3P100M12	Three-phase 600V busbar, 100A, 12 pins, assembled endcap
BB3P100M15	Three-phase 600V busbar, 100A, 15 pins, assembled endcap
BB3P100M57	Three-phase 600V cuttable busbar, 100A, 57 pins, without endcap
ECAP1P	Single-phase busbar endcap
ECAPMP	Three-phase busbar endcap
PWR35MM	35mm ² feeder terminal for three-phase busbar (115A, 1000Vac/dc)
FSCVR	Spare contact safety protection covers
PWR1PLP	Single-phase low-profile feeder terminal (115A, 1000Vac/dc)
PWR50MM	50mm ² direct feed terminal (1000Vac/dc)

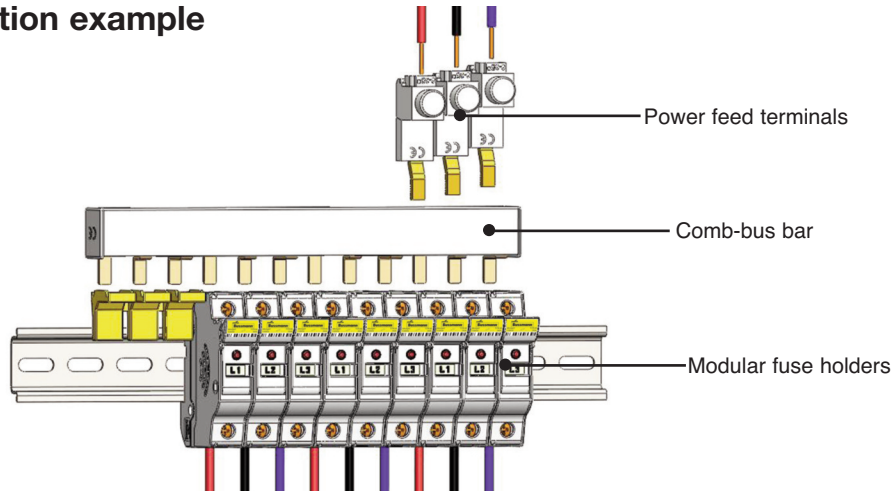
For additional information see reorder #3185

9

Fuse holders and blocks

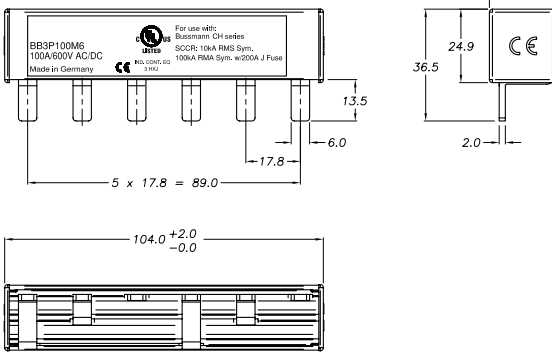
Global modular fuse holders - comb-bus bar features and installation guide

Typical installation example

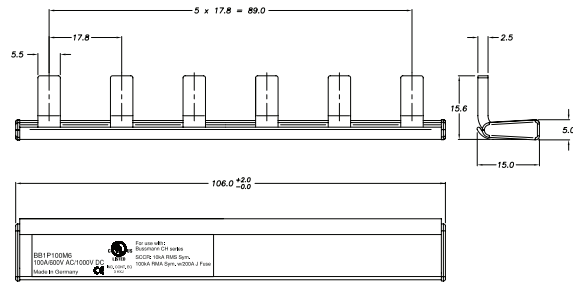


Typical dimensional data

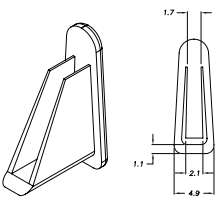
Three-phase



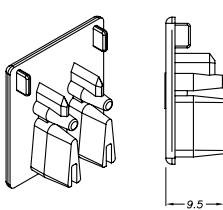
Single-phase



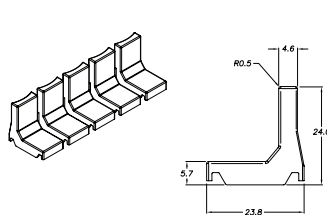
ECAP1P



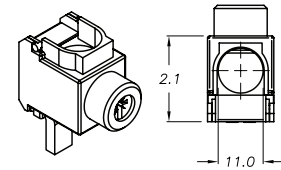
ECAPMP



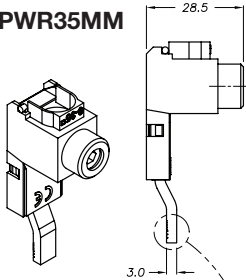
FSCVR



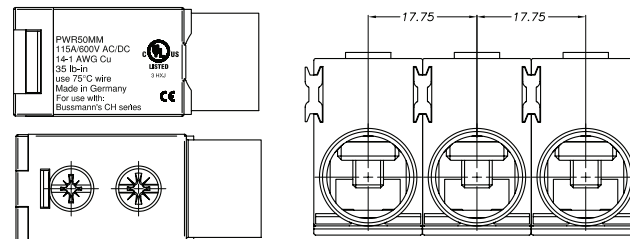
PWR1PLP



PWR35MM



PWR50MM



For additional information see reorder #3185

CH __ J _

Specifications

Description: IP20 finger-safe, 1- to 3-pole Class J fuse holder with DIN-Rail or panel mounting.

Ratings:

Volts: — 600Vac/dc (or less)

Amps: — 30A (30A version)
— 60A (60A version)

SCCR: — 200kA

Wire range: Cu solid and stranded conductors with single (1-18AWG) and dual (3-18AWG) wire ratings. See catalog numbers table for details.

Torque rating: 10-18AWG 24 lb-in.
1-8AWG 35 lb-in.

Poles: 1-, 2- or 3-pole.

Storage and operating temperature range*:

-20°C to 75°C.

Agency information: CE, UL 4248/CSA 22.2 No. 4248.P
UL Listed, Guide IZLT, File E14853.

Flammability rating: UL 94V0.

Catalog numbers

See catalog numbers table below.

Features and benefits

- Choice of local fuse indication; *easyID*™ viewing window (for seeing indicator on LPJ-SPI indicating fuse) or neon lamp.
- Versatile 1-, 2- and 3-pole versions for 0-30A and 35-60A fuses with dual wire rated connections simplify wiring.
- Improved electrical safety with IP20 finger-safe construction with lock-out/tag-out feature. 3-phase fuse extraction assures all phases are opened for service work.
- Flexible panel/35mm DIN-Rail mounting options

*For fuse selection on applications above or below 25°C, consult derating charts in Eaton publication "Selecting Protective Devices" (SPD).



30A version

60A version

Dimensions (mm):

Fuse size	Poles	W	D	H
0-30A	1	32	70	115
	2	64	70	115
	3	96	70	115
35-60A	1	40	83	125
	2	80	83	125
	3	120	83	125

Catalog numbers

Catalog numbers	# of poles	Local indication	Amp rating	Volts (AC/DC)	IP20 finger-safe	AWG single wire range	Padlockable	Mounting
CH30J1	1	<i>easyID</i> **	30	600	Yes	1-18	Yes	35mm DIN/ panel
CH30J1I	1	Neon lamp***						
CH30J2	2	<i>easyID</i> **						
CH30J2I	2	Neon lamp***						
CH30J3	3	<i>easyID</i> **						
CH30J3I	3	Neon lamp***						
CH60J1	1	<i>easyID</i> **	60	600	Yes	Yes	35mm DIN/ panel	
CH60J1I	1	Neon lamp***						
CH60J2	2	<i>easyID</i> **						
CH60J2I	2	Neon lamp***						
CH60J3	3	<i>easyID</i> **						
CH60J3I	3	Neon lamp***						

** *easyID*™ viewing window, requires use of Bussmann series LPJ_SPI permanent indication fuses.

*** Indication non-fuse dependent, minimum voltage 90V.

OPM-1038(R)SW(C) with disconnect switch



Catalog number build-a-code

Series	Fuse type	Communication
O P M - 1 0 3 8		S W

Blank = 10 x 38mm or 1 3/8" x 1 1/2"
R = Class CC
C = Communication feature

Specifications

Description: 3-pole load break modular fuse holder and disconnect switch for 1 3/8" x 1 1/2" (10 x 38mm) fuses.

Dimensions: See dimensions illustration.

Poles: 3

Agency information: CE, UL (see table), CSA Certified, C22.2 No. 39, Class 6225-01, File 47235, IEC (see table).

Flammability rating: UL 94V0.

Horsepower rating of switch

3-Phase	Volts	240	480	600
	HP	5	10	15

Recommended fuse types

Class CC	Midget (non-rejection)	European
LP-CC	KTK BAF	C10M
KTK-R	FNM KLM	C10G
FNQ-R	FNQ	

Physical characteristics

- Small size matches 45mm IEC starter width
- Accepts #8-18 AWG stranded, #10-18 AWG solid wire
- 3-pole
- Handle and shaft required for through the door operation

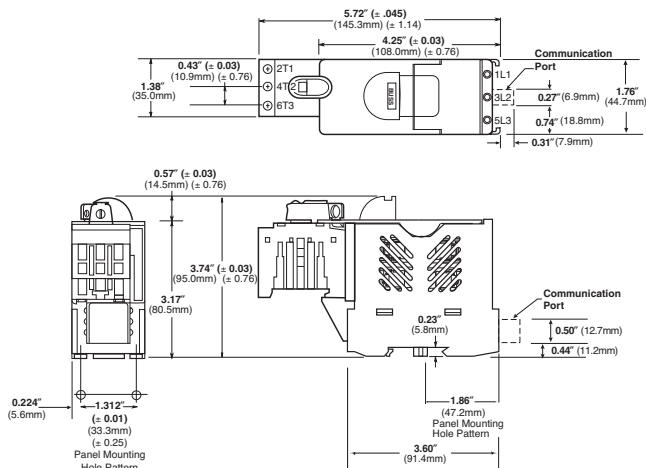
Features/benefits

- Padlockable with finger-safe terminals for safety. Qualified as IP20 per IEC 60529.
- Cam-action handle for easy module removal, offered with Class CC rejection clips or European 10 x 38mm clips to meet global needs
- Wire ready with 35mm DIN-Rail or screw panel mounting (#8 screw, 1 1/4" long) saves installation time
- Fuse indication lights with option for remote fuse status available. See Data Sheet for additional wiring details.

Typical applications

- Industrial control
- Process control systems
- Automated warehouse systems
- Individual control circuits

Dimensions



Catalog numbers

Catalog numbers	Electrical rating	SCCR** rating	Clips	Remote open fuse indication	UL information std.	File	Guide	IEC	CE
OPM-1038SW	30A, 600Vac UL/CSA	*	Non-rejection, 10x38mm or 1 3/8" x 1 1/2"	No	Recognized	E161278	NLRV2	IEC 60947-3	Yes
	32A, 660Vac IEC								
OPM-1038RSW	30A, 600Vac UL/CSA	100kA	Rejection, Class CC	No	Listed UL 508	E161278	NLRV		Yes
OPM-1038SWC	30A, 600Vac UL/CSA	*	Non-rejection, 10x38mm or 1 3/8" x 1 1/2"	Yes	Recognized	E161278	NLRV2	IEC 60947-3	No
	32A, 660Vac IEC								
OPM-1038RSWC	30A, 600Vac UL/CSA	100kA	Rejection, Class CC	Yes	Listed UL 508	E161278	NLRV		No

*Rating varies depending on fuse used in module; 10kA default, higher SCCR requires testing and certification.

**Short-Circuit Current Rating

OPM-1038



Features/benefits

- Padlockable with finger-safe terminals for safety. Qualified as IP20 per IEC 529.
- Cam-action handle for easy module removal.
- Offered with Class CC rejection clips or European 10 x 38mm clips to meet global needs
- Wire ready with 35mm DIN-Rail or screw panel mounting (#8 screw, 1 1/4" long) saves installation time
- Fuse indication lights with option for remote fuse status indication. See Data Sheet for additional wiring details.

Catalog number build-a-code

Series	Fuse type	Communication
OPM-1038	Blank = 10 x 38mm or 13/32" x 1 1/2"	C = Communication feature
	R = Class CC	

Specifications

Description: 3-pole modular fuse holder for 13/32" x 1 1/2" (10 x 38mm) fuses.

Dimensions: See dimensions illustration.

Poles: 3

Agency information: CE, UL (see table), CSA Certified, C22.2 No. 4248, Class 6225-01, File 47235, IEC (see table).

Flammability rating: UL 94V0.

Recommended fuse types

Class CC	Midget (non-rejection)	European
LP-CC	KTK BAF	C10M
KTK-R	FNM KLM	C10G
FNQ-R	FNQ	

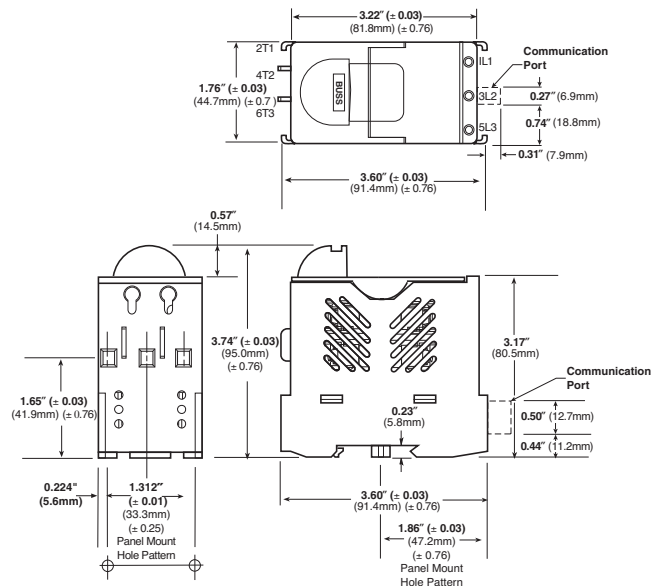
Physical characteristics

- Small size matches 45mm IEC starter width
- Accepts #8-18 AWG stranded, #10-18 AWG solid wire
- 3-pole

Typical applications

- Industrial control
- Process control systems
- Automated warehouse systems
- Individual control circuits

Dimensions



Catalog numbers

Catalog numbers	Electrical rating	SCCR** rating	Clips	Remote open fuse indication	UL information std.	File	Guide	IEC	CE
OPM-1038	30A, 600Vac/dc UL/CSA (Max 3 Watts per fuse) 32A, 660V IEC	*	Non-rejection, 10 x 38mm or 13/32" x 1 1/2"	No	Recognized UL 4248	E14853	IZLT2	IEC 60269-2-1	Yes
OPM-1038R	30A, 600Vac/dc UL/CSA	200kA	Rejection, Class CC	No	Listed UL 4248	E14853	IZLT		Yes
OPM-1038C	30A, 600Vac/dc UL/CSA (Max 3 Watts per fuse) 32A, 660V IEC	*	Non-rejection, 10 x 38mm or 13/32" x 1 1/2"	Yes	Recognized UL 4248	E14853	IZLT2	IEC 60269-2-1	No
OPM-1038RC	30A, 600Vac/dc UL/CSA	200kA	Rejection, Class CC	Yes	Listed UL 4248	E14853	IZLT		No

*Rating varies depending on fuse used in module; 10kA default, higher SCCR requires testing and certification.

**Short-Circuit Current Rating

9

Fuse holders and blocks

Optima™ three-pole overcurrent protection module

OPM-NG-



Specifications

Description:

OPM-NG-SC3: 3-pole Class CC fuse holder for use with Class CC fuses (Bussmann series LP-CC, FNQ-R, KTK-R).

OPM-NG-SM3: 3-pole fuse holder for use with $\frac{1}{32}$ " x $\frac{1}{2}$ " and 10.3 x 38mm fuses (Bussmann series types: $\frac{1}{32}$ " x $\frac{1}{2}$ "; KTK, FNQ, KLM, FNM, BAF, 10 x 38mm; FWA, FWC, C10G_ _ , C10M_ _).

Ratings:

Volts: — OPM-NG-SC3: 600Vac (or less)
 — OPM-NG-SM3: 600Vac (or less) UL and CSA 30A
 — OPM-NG-SM3: 690Vac (or less) IEC 32A

Amps: — OPM-NG-SC3: 0-30A
 — OPM-NG-SM3: 0-30A

SCCR: — OPM-NG-SC3: 200kA
 — OPM-NG-SM3: Same as fuse IR, 200kA maximum.

Agency information: CE, UL; OPM-NG-SC3 UL Listed, UL 4248, File E14853, Guide IZLT. OPM-NG-SM3, UL Recognized, UL 4248, File E14853, Guide IZLT2. CSA Certified, C22.2 No. 4248, Class 6225-01, File 47235. IEC 60947-3 Utilization Category AC20B.

Handling and storage temperature: -10° to 65°C.

Features/benefits





- 45mm width matches IEC starters
- 35mm DIN-Rail or panel mounting feature. Maximum screw size #8 (M4)
- Pressure plate terminations with dual-wire rated terminals (see wire table) and optional auxiliary contacts
- Integrated collapsible handle and fuse carrier cannot be removed from holder base
- Padlockable and IP20 finger-safe to IEC60529

Typical applications

- Mass produced control systems
- Process control systems
- Automated warehouse systems
- Individual control circuits

Fuse holder wire range:

- 75°Cu only
- #18-12 Single/dual, torque 15lb-in
- #10-8 Single/dual, torque 20lb-in
- Dual wire with same gauge and type

		75° Cu only		 (N·m)/lb-in
		AWG	[mm2]	
Solid		#18-8 x 1	1-6 x 1	18-12 Single/dual 15lb-in (1.7 N·m)
		#18-8 x 2	1-6 x 2	
Stranded		#18-8 x 1	1-6 x 1	10-8 Single/dual 20lb-in (2.5 N·m)
		#18-8 x 2	1-6 x 2	
Ferrules			1-4 x 1	20lb-in (2.5 N·m)
			1-4 x 2	

Input power terminal wire range:

Wiring	Solid conductor	(1) #14 to #2 (1.5 to 25mm ²) conductor or (2) #14 to #6 (1.5 to 10mm ²) conductors
	Stranded conductor	(1) #14 to #2 (1.5 to 25mm ²) conductor or (2) #12 to #6 (2.5 to 10mm ²) conductors
Tightening torque:	Connector	20lb-in (2.2 N·m)
	Screw clamp	15lb-in (1.7 N·m)

Materials:

- **Housing:** Thermoplastic - ULV2
- **Clip:** Tin-plated copper alloy
- **Contact lubricant:** Fluoroether grease
- **Saddle screw:** Plated steel
- **DIN-Rail springs:** Stainless steel

Optional accessories:

Comb bar (max current rating = 63A)

Catalog number	Description
GV2G245A46	2 circuit, 45mm between same phases
GV2G254A46	2 circuit, 54mm between same phases
GV2G272A46	2 circuit, 72mm between same phases
GV2G345A46	3 circuit, 45mm between same phases
GV2G354A46	3 circuit, 54mm between same phases
GV2G445A46	4 circuit, 45mm between same phases
GV2G454A46	4 circuit, 54mm between same phases
GV2G472A46	4 circuit, 72mm between same phases
GV2G554A46	5 circuit, 54mm between same phases

Input terminal block (max current rating = 63A)

Catalog number	Description
GV2G05	Input/feed through power terminal, supports feed through to another system, DIN-Rail mount only
GVG09	Input power terminal

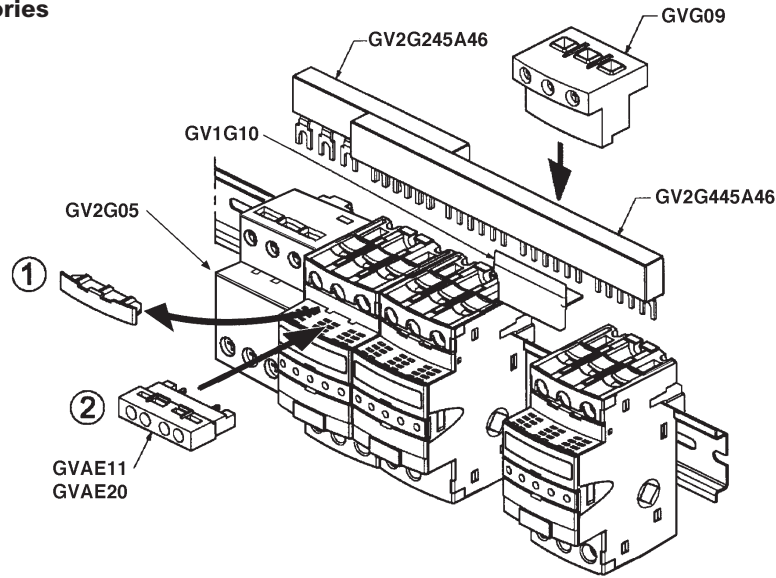
Cover

Catalog number	Description
GV1G10	Protective cover for unused terminals on comb bar

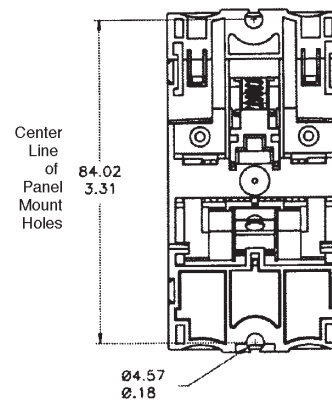
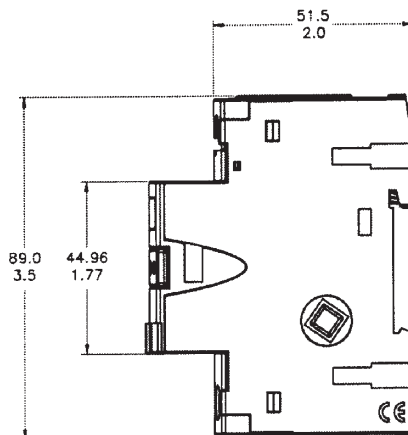
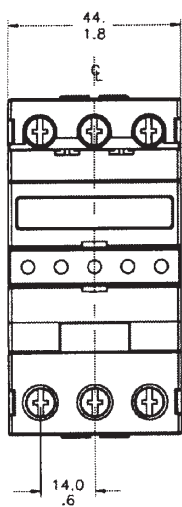
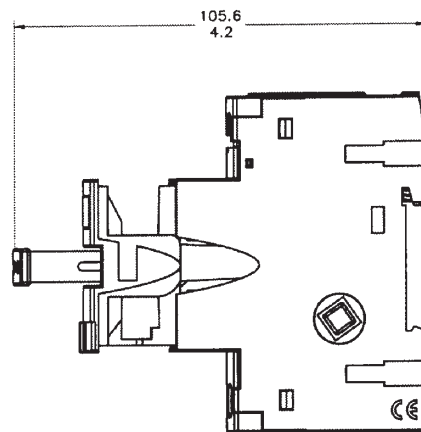
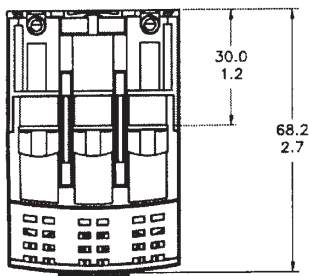
Auxiliary contacts

Catalog number	Description
GVAE11	NO/NC
GVAE20	NO/NO

Optional accessories



Dimensions - mm (± 0.38) / in (± .015)



9

Fuse holders and blocks

Class J (finger-safe) fuse holders

Safety J™ — JT(N)60030 and JT(N)60060

Specifications

Description: Indicating and non-indicating finger-safe, DIN-Rail mount fuse holders for use with Class J fuses - (Bussmann series LPJ, JKS).

Dimensions: See dimensions illustrations.

Ratings:

Volts: — 600Vac

Amps: — 0-60A (JT(N)60060)

— 0-30A (JT(N)60030)

SCCR: — 200kA RMS Sym.

— 300kA self certified using Bussmann series LPJ_SP fuses

Agency information: CE, Listed to UL 4248: Guide IZLT, File 14853, CSA Certified: Class 6225-01, File 47235. IP20 per IEC 60529.

Flammability rating: UL 94V0.

Indication: Min voltage: 90V; neon lamp “ON” when fuse opens, voltage source and current path are present.

Terminations: 30A dual port torque 20lb-in, 60A single port torque 45lb-in, terminal construction, tin-plated copper alloy.

Wire size: JT(N)60030 - rated for 75°C, AWG#18-#8; Cu only, JT(N)60060 - rated for 75°C, AWG#14-#4; Cu only.

(Note: For JT(N)60030 use both stranded or solid, in a variety of dual wire combinations of same wire size and type.)

Features and benefits

- Short-Circuit Current Rating of 300kA with Bussmann series LPJ__SP fuses.
- Rapid, flexible 35 mm DIN-Rail mounting.
- One piece interlocking design for assembling multiple pole blocks reduces inventory costs.
- Removable fuse carrier allows fuse replacement away from base while maintaining finger-safe rating.

Typical applications

- Industrial controls
- Process controls
- Small HP VFDs

Catalog numbers

Catalog numbers	Amps	Indication
JT60030	30	Non-indicating
JT60060	60	Non-indicating
JTN60030	30	Indicating (neon)
JTN60060	60	Indicating (neon)



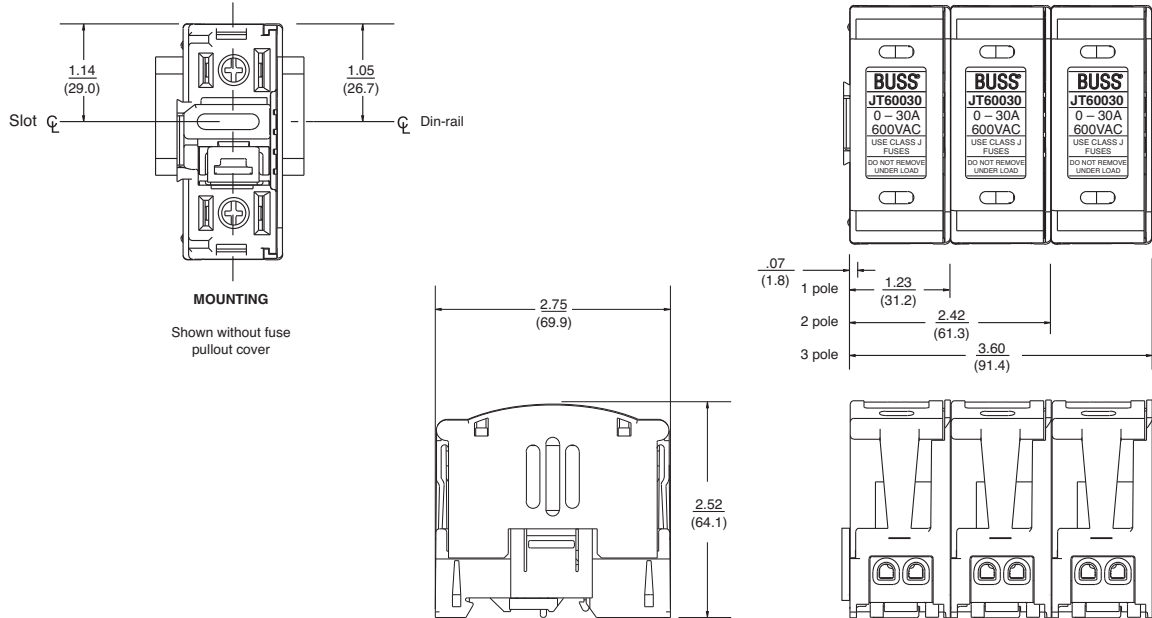
30A version



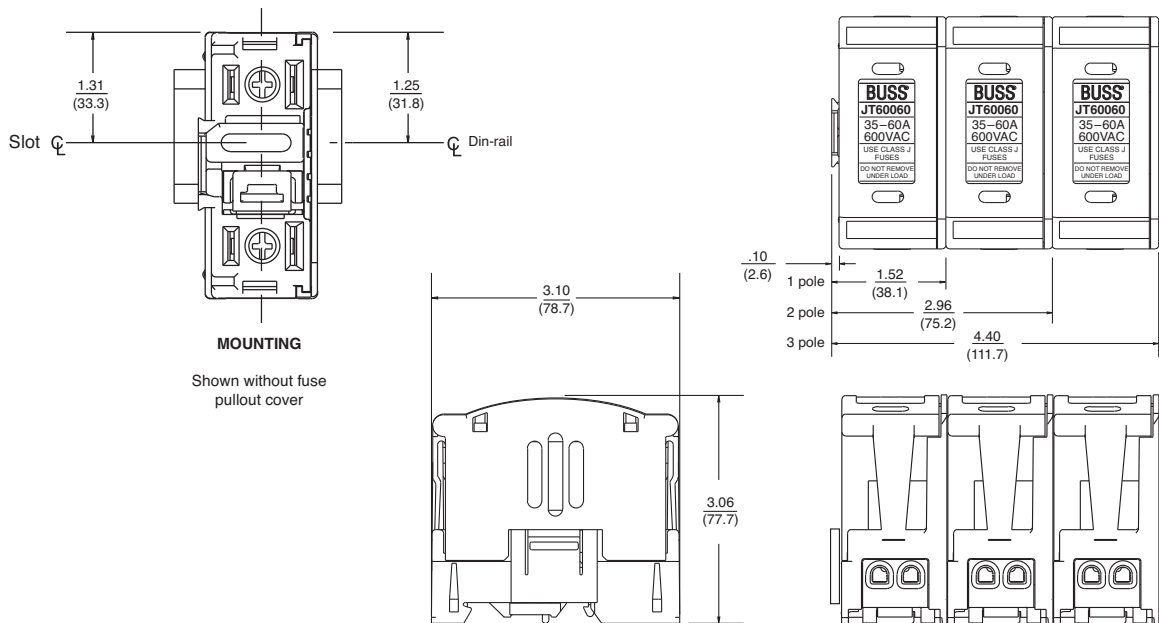
60A version

Data Sheet: 1152

Dimensions for JT60030 and JTN60030 — in (mm)



Dimensions for JT60060 and JTN60060 — in (mm)



JT(N)600 series fuse blocks can be dovetailed together within the same current rating to provide multiple pole block configurations.

NOTE: JT(N)60030 cannot be dovetailed to JT(N)60060.

9

Fuse holders and blocks

SAMI™ fuse covers

SAMI fuse covers



Specifications

Description: Indicating and non-indicating fuse covers for Class J, RK1, RK5, H, K5, CC, G (0-30A) and midget-type fuses. Indicating feature requires a minimum of 90V to illuminate lamp. One cover required for each pole.

WARNING: To avoid electrical shock, turn power off before installing, removing or servicing.

Dimensions: See dimensions illustration.

Agency information: CE, UL Listed; SAMI-1I through SAMI-6I, SAMI-8I and SAMI-9I, SAMI-1N through SAMI-6N, SAMI-8N and SAMI-9N, UL Recognized; Guide JDVS2, File E58836, SAMI-7I and SAMI-7N, CSA Certified, File LR47235-93C.

Catalog numbers

Catalog numbers*	Description	Dimensions - in		
		A	B	C
SAMI-1_	600V, J (0-30A) and 600V, T (35-60A)** 250V, RK, K5, H (35-60A)	5.02	1.03	1.94
SAMI-2_	600V, RK, K5, H (0-30A)	7.03	1.30	2.07
SAMI-3_	600V, J (65-100A)	7.03	1.30	2.33
SAMI-4_	250V, RK, K5, H (65-100A)	8.20	1.30	2.18
SAMI-5_	600V, RK, K5, H (35-60A)	8.20	1.30	2.18
SAMI-6_	600V, J (35-60A)	4.98	1.17	2.14
SAMI-7_	600V, Midget, Class CC, G (0-30A)	3.82	0.75	1.72
SAMI-8†_	600V, RK††, K5, H (65-100A)	10.38	1.50	2.33
SAMI-9_	250V, RK, K5, H (0-30A) and 600V, T (0-30A)	3.82	0.75	1.72

*For indicating cover, add suffix "I", for non-indicating cover, add suffix "N".
Example: SAMI-7I = Indicating, SAMI-7N = Non-indicating.

**Available in non-indicating only.

†SAMI-8A adapter available for small Fusetron™ body design. SAMI-8I and SAMI-8N come standard with adapter (SAMI-8A).

††Not for use with KTS-R fuses.

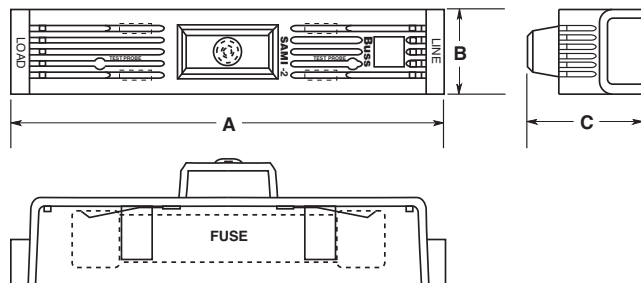
Features and benefits

- Insulated cover allows field conversion of fuses mounted in open fuse blocks.
- Optional open fuse indicating light aids in system troubleshooting.
- Units are re-usable.
- Allows visual marking of line and load side of fuses.

Typical applications

- Class H, R and J fuse blocks up to 100A
- Class T fuse blocks up to 60A
- Class CC, G and Midget, 30A fuse blocks

Dimensions



Data Sheet: 1204 (Trimming guides: 12041, 12042, 12043, 12044, 12045, 12046, 12048, 12049)

Class R, H(K), and J applications up to 600 amps

Specifications

Ratings:

Volts: — 250V, 600V
 Amps: — 70-600A
 SCCR: — 200kA (Class R and J)
 10kA (Class H and K)

Agency information:

Blocks: UL - Listed cULus
 E14853 – IZLT & IZLT7
 CSA - Certified 47235 –
 6225-01

Covers: UL - Listed UL
 E58836 – JDVS2
 CSA - Certified 47235 –
 6225-01

Flammability ratings:

Blocks: UL 94V0, self-extinguishing
Covers: UL 94HB, self-extinguishing

Operating and storage temperature range:

Blocks -40°C to 120°C
Covers non-indicating covers -40°C to 120°C
 indicating covers -20°C to 90°C

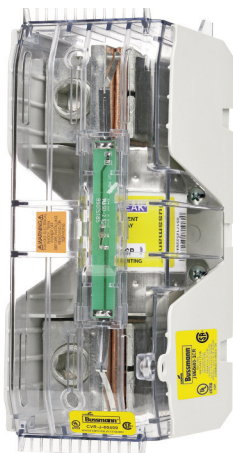
Materials:

Base – Thermoplastic
 Box Lug – Tin-plated aluminum

Wire:*

Cu/Al – 75°C/90°C (100 - 200A)
 Cu/Al – 75°C only (400 - 600A)

*Higher temperature rated wire can be used with appropriate derating.



Features and benefits

- Integral dovetails allow snapping together multiple poles at point-of-use for greater application flexibility
- Factory assembled two- and three-pole configurations available
- Up to four mounting holes per pole increase installation flexibility
- Standard phase barriers between poles for additional safety
- Design meets UL creep and clearance requirements for Industrial Control Circuits (UL 508 and UL 845)
- 200 to 600A blocks meet the higher UL creep and clearance requirements for Industrial Power Distribution Standards (UL 98, UL 69, UL 489, UL 891 and UL 869A)
- Optional IP20 finger-safe covers available on entire knifeblade fuse block product line:
 - High-clarity see-through covers allow for inspecting wire terminations or thermography measurements without removing cover
 - Probe holes included for easy, safer testing and troubleshooting
 - Built-in lockout/tagout feature improves safety
- Standard fuse clip reinforcing springs enhance electrical contact

Typical applications

- Critical power, factory automation, renewable energy, HVAC, building/elevator controls, building entrance, process industries

9

Fuse holders and blocks

Modular knifeblade fuse blocks part number table



250V Class R and H(K)



600V Class R and H(K)



Class J

Catalog number		Covers*		Volts	Fuse range (amps)	Number of poles	Wire range (solid and stranded)***	Wire range (fine stranded Cu)	Torque N•m (Lb-In)	Bussmann series fuses	
Class H(K)	Class R	w/o indication	w/ indication								
HM25100-1CR	RM25100-1CR	CVR-RH-25100	CVRI-RH-25100	250	70-100	1	–	1-3 AWG	6.2 (55)	Class H(K): NON, CDN, PON	
HM25100-2CR	RM25100-2CR					2	1/0-3 AWG; (2) Cu 4-6 AWG	4-6 AWG	5.6 (50)		
HM25100-3CR	RM25100-3CR					3	4-6 AWG; (2) Cu 8 AWG	8 AWG	5.1 (45)		
HM25200-1CR	RM25200-1CR	CVR-RH-25200	CVRI-RH-25200		110-200	1	250 MCM-1 AWG	3/0-1 AWG	42 (375)		Class R: LPN-RK_SP LPN-RK_SPI** FRN-R KTN-R
HM25200-2CR	RM25200-2CR					2	8 AWG; (2) Cu 10-14 AWG	–	4.5 (40)		
HM25200-3CR	RM25200-3CR					3	Cu 10-14 AWG; Al 10-12 AWG	–	4.0 (35)		
HM25400-1CR	RM25400-1CR	CVR-RH-25400	CVRI-RH-25400		225-400	1	600kcmil	N/A	57 (500)		
HM25400-2CR	RM25400-2CR					2	500kcmil-4 AWG		51 (450)		
HM25400-3CR	RM25400-3CR					3	(2) Cu 3/0 - 4 AWG		57 (500)		
HM25600-1CR	RM25600-1CR	CVR-RH-25600	CVRI-RH-25600		450-600	1	(2) 500kcmil-4 AWG	N/A	51 (450)		
HM25600-2CR	RM25600-2CR					2					
HM25600-3CR	RM25600-3CR					3					
HM60100-1CR	RM60100-1CR	CVR-RH-60100	CVRI-RH-60100	600	70-100	1	–	1-3 AWG	6.2 (55)	Class H(K): NOS, CDS	
HM60100-2CR	RM60100-2CR					2	1/0-3 AWG; (2) Cu 4-6 AWG	4-6 AWG	5.6 (50)		
HM60100-3CR	RM60100-3CR					3	4-6 AWG; (2) Cu 8 AWG	8 AWG	5.1 (45)		
HM60200-1CR	RM60200-1CR	CVR-RH-60200	CVRI-RH-60200		110-200	1	250 MCM-1 AWG	3/0-1 AWG	42 (375)		Class R: LPS-RK_SP LPS-RK_SPI** FRS-R KTS-R KWS-R PVS-R
HM60200-2CR	RM60200-2CR					2	8 AWG; (2) Cu 10-14 AWG	–	4.5 (40)		
HM60200-3CR	RM60200-3CR					3	Cu 10-14 AWG; Al 10-12 AWG	–	4.0 (35)		
HM60400-1CR	RM60400-1CR	CVR-RH-60400	CVRI-RH-60400		225-400	1	600kcmil	N/A	57 (500)		
HM60400-2CR	RM60400-2CR					2	500kcmil-4 AWG		51 (450)		
HM60400-3CR	RM60400-3CR					3	(2) Cu 3/0 - 4 AWG		57 (500)		
HM60600-1CR	RM60600-1CR	CVR-RH-60600	CVRI-RH-60600		450-600	1	(2) 500kcmil-4 AWG	N/A	51 (450)		
HM60600-2CR	RM60600-2CR					2					
HM60600-3CR	RM60600-3CR					3					

Catalog number		Covers*		Volts	Fuse range (amps)	Number of poles	Wire range (solid and stranded)***	Wire range (fine stranded)	Torque N•m (Lb-In)	Bussmann series fuses
Class J		w/o indication	w/ indication							
JM60100-1CR		CVR-J-60100-M	CVRI-J-60100-M	600	70-100	1	–	1-3 AWG	6.2 (55)	LPJ_SP LPJ_SPI** JKS DFJ
JM60100-2CR						2	1/0-3 AWG; (2) Cu 4-6 AWG	4-6 AWG	5.6 (50)	
JM60100-3CR						3	4-6 AWG; (2) Cu 8 AWG	8 AWG	5.1 (45)	
JM60200-1CR		CVR-J-60200-M	CVRI-J-60200-M		110-200	1	250 MCM-1 AWG	3/0-1 AWG	42 (375)	
JM60200-2CR						2	8 AWG; (2) Cu 10-14 AWG	–	4.5 (40)	
JM60200-3CR						3	Cu 10-14 AWG; Al 10-12 AWG	–	4.0 (35)	
JM60400-1CR		CVR-J-60400-M	CVRI-J-60400-M		225-400	1	600kcmil	N/A	57 (500)	
JM60400-2CR						2	500kcmil-4 AWG		51 (450)	
JM60400-3CR						3	(2) Cu 3/0 - 4 AWG		57 (500)	
JM60400-1MW22†		CVR-J-60600	CVRI-J-60600		450-600	1	(2) 500kcmil-4 AWG	N/A	51 (450)	
JM60400-2MW22†						2				
JM60400-3MW22†						3				
JM60600-1CR		CVR-J-60600	CVRI-J-60600	450-600	1	(2) 500kcmil-4 AWG	N/A	51 (450)		
JM60600-2CR					2					
JM60600-3CR					3					

*Covers sold separately. Blown fuse indication requires 90 volts minimum and closed circuit to operate.

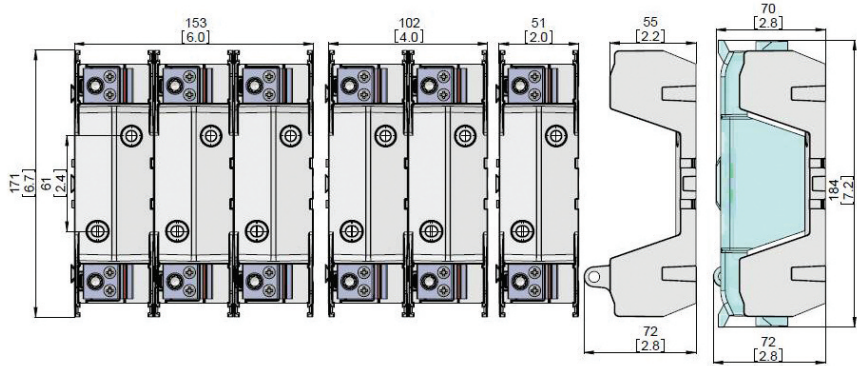
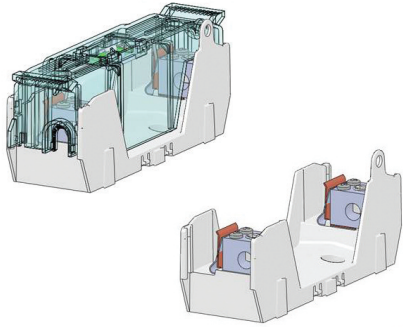
With *easyID™* blown fuse indication. *Ratings for copper and aluminum wire except where otherwise noted.

†For Class J 400A double box lug configuration, optional cover provides IP20 finger-safe protection for dual 350kcmil-300kcmil wires or one single 350kcmil-6 AWG wire.

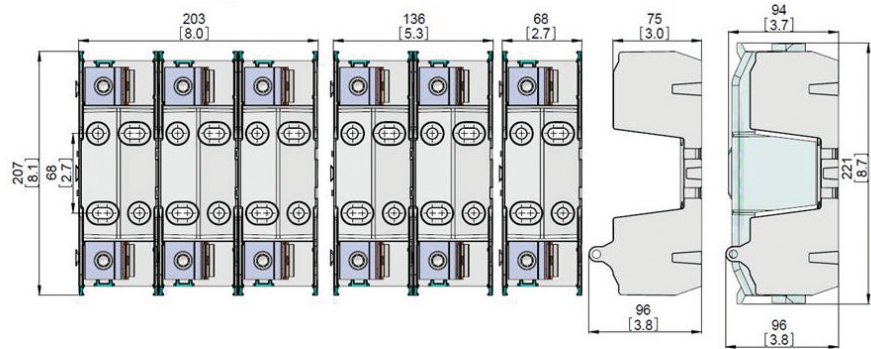
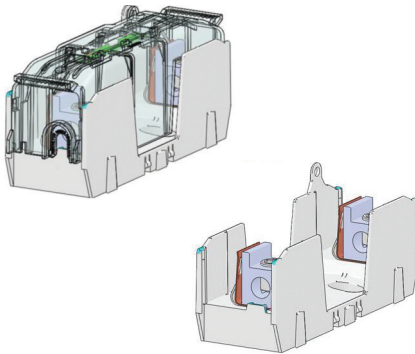
250V Class R and H(K) dimensional specifications

Dimensions - mm (in)

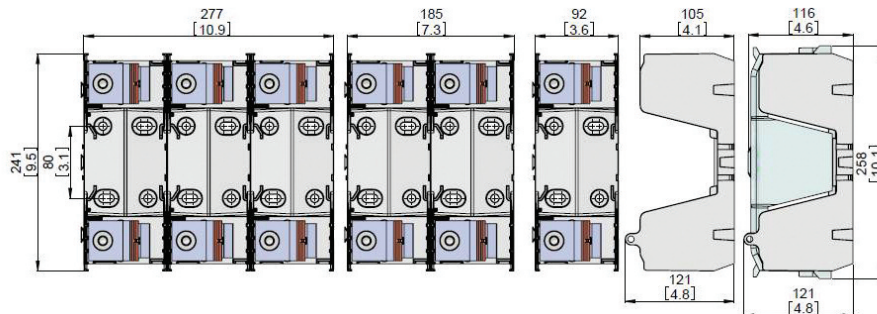
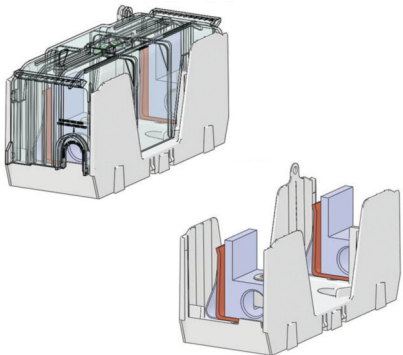
70-100A



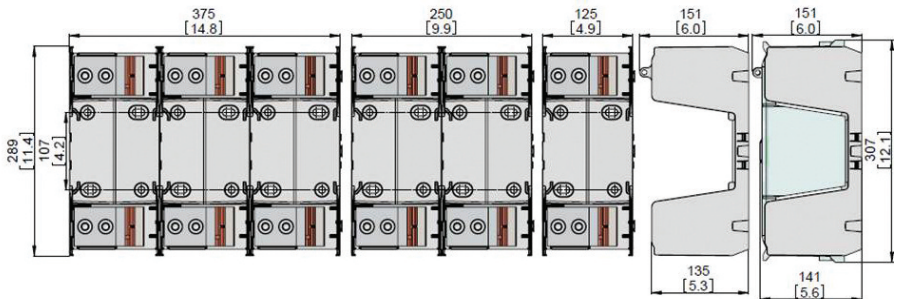
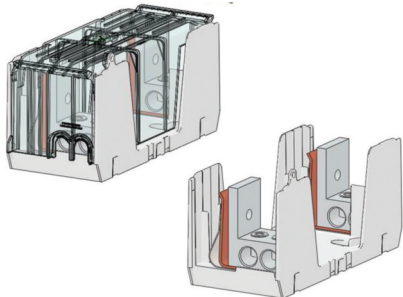
110-200A



225-400A



450-600A



Fuse holders and blocks

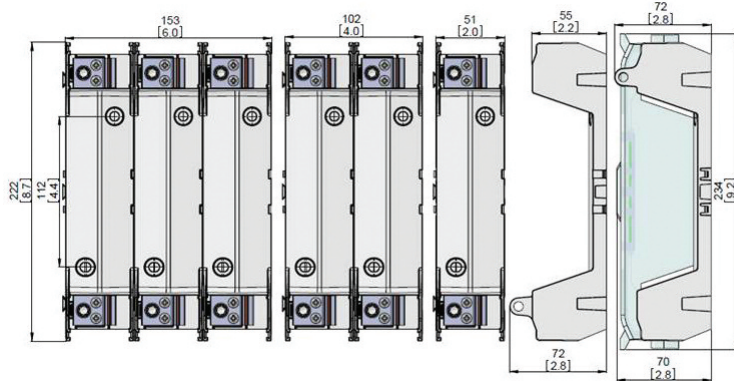
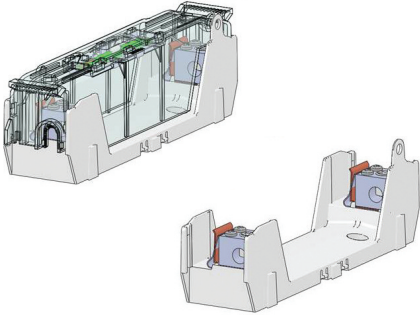
9

Fuse holders and blocks

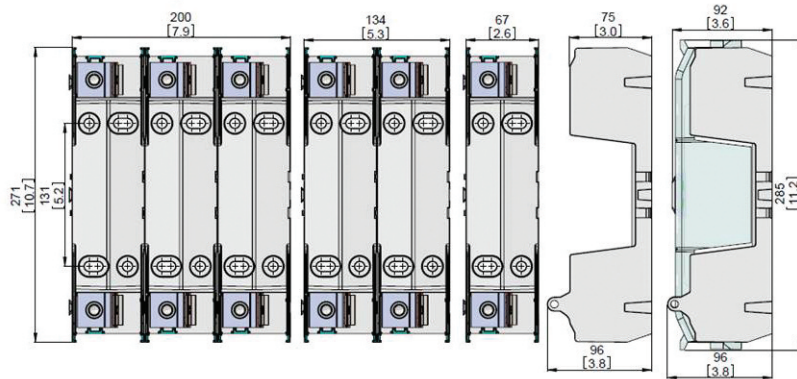
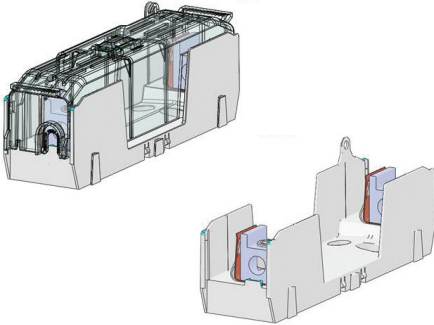
600V Class R and H(K) dimensional specifications

Dimensions - mm (in)

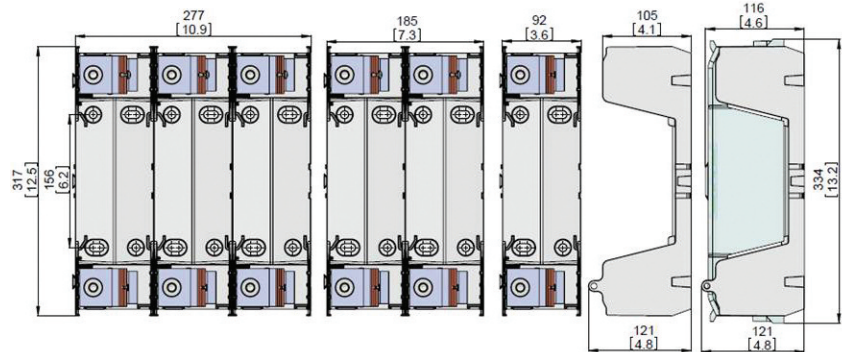
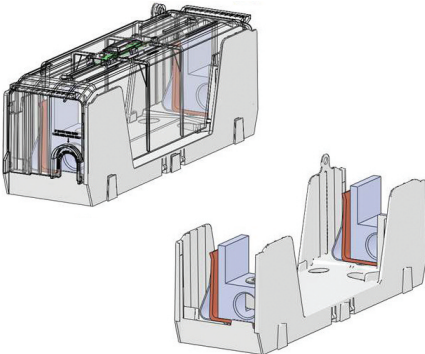
70-100A



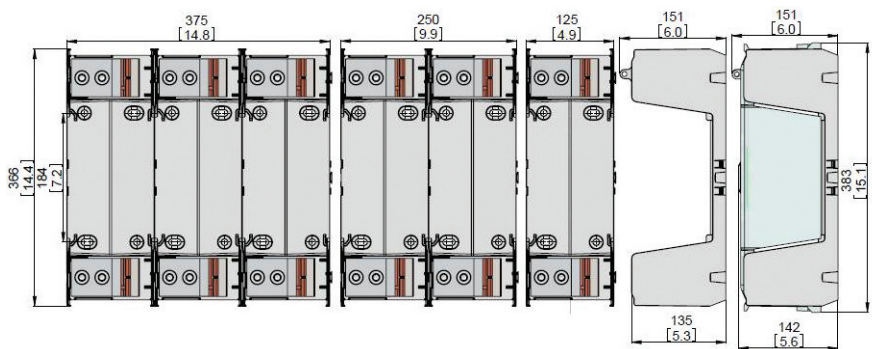
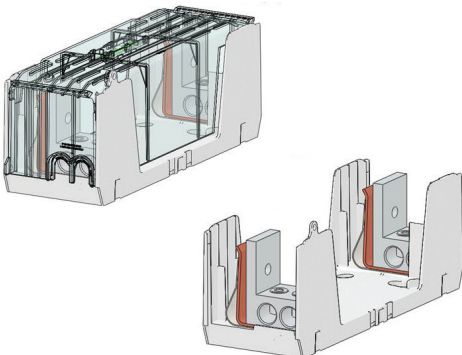
110-200A



225-400A

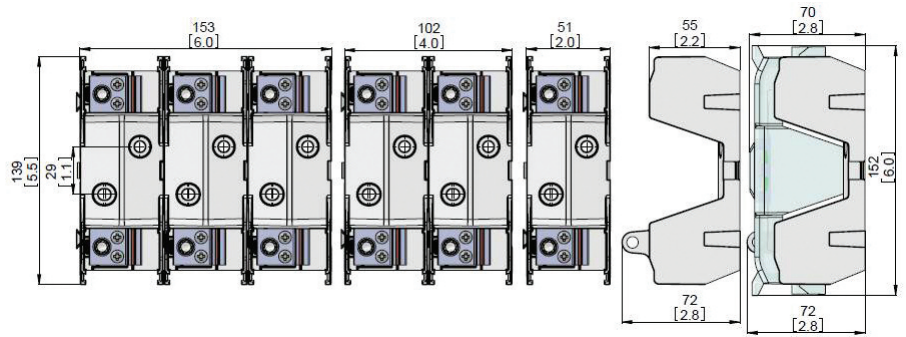
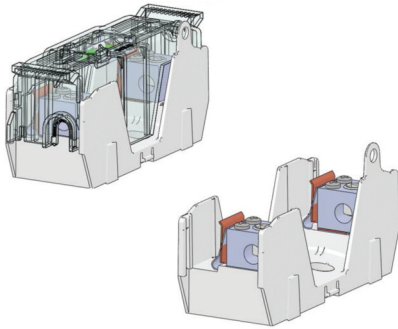


450-600A

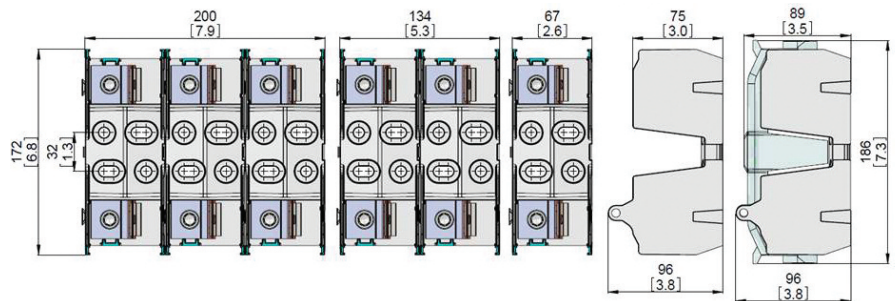
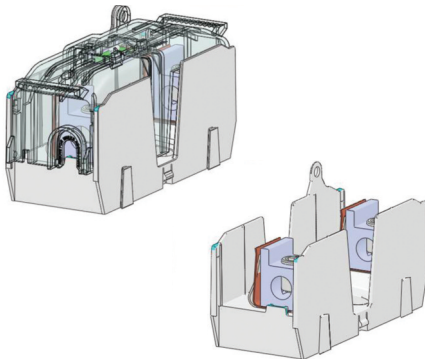


Dimensions - mm (in)

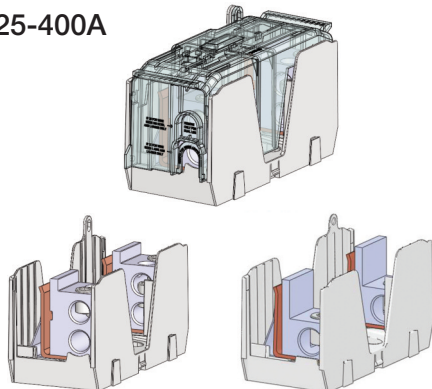
70-100A



110-200A

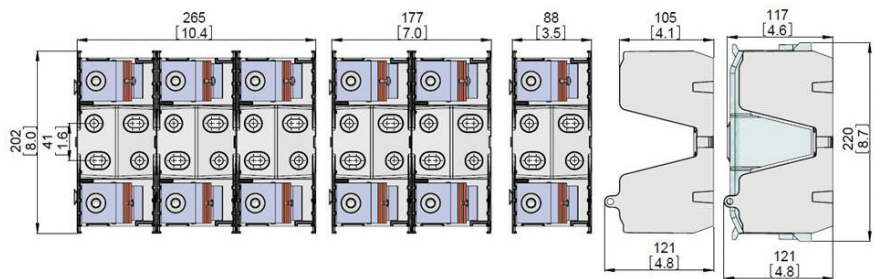


225-400A

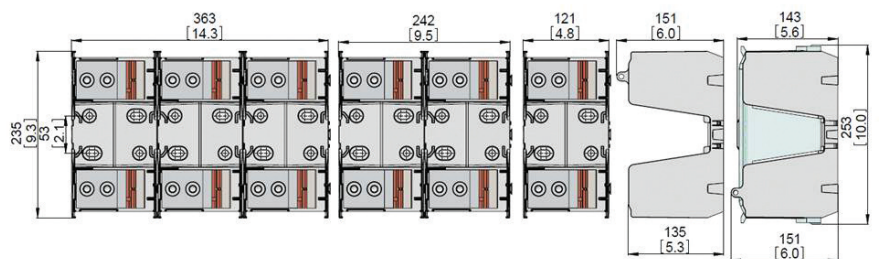
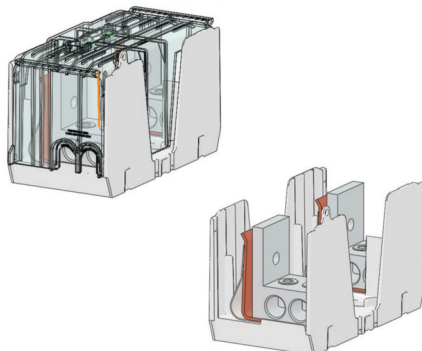


Double lug version

Standard lug version



450-600A



9

Fuse holders and blocks

Class J power distribution fuse block

Class J

Specifications

Description:

New Class J fuse block features power distribution capability. This patented design simplifies your panel layout and uses up to 50% less panel space. Additionally, it lowers inventory costs while reducing installation time and labor by 33%.



Fuse Class:

- Class J

Ratings:

Volts - 600V
Amps - 70-400A
Withstand - 200kA Sym RMS

Agency information:

- Blocks: - UL Recognized E14853 – IZLT2
- CSA Certified 47235 – 6225-01
- Covers: - UL Listed UL E58836 – JDVS2

Poles:

- 1-, 2-, 3-pole

Flammability ratings:

- Blocks: - UL 94V0, self-extinguishing
- Covers: - UL 94HB, self-extinguishing

Operating and storage temperature range:

- Blocks: -40°C to +120°C
- Covers: - Non-indicating -40°C to +120°C
- Indicating -20°C to +90°C

Materials:

- Base: - Thermoplastic
- Terminals: - Tin-plated aluminum

Features and benefits:

- Combination power distribution block and fuse block reduces wire connections and total panel components, using 50% less panel space and reducing installation time and labor by 33%.
- A 200kA withstand rating helps achieve a higher assembly short-circuit current rating (SCCR) for compliance with NEC® sections 110.10, 409.110(4), 409.22, 440.4(B), 670.3(A)(4) and 670.5.
- Optional see-through cover enhances safety with IP20 finger-safe protection, lockout/tagout capability and open circuit indication.

Wire:

- 75°C CU/AL*
- * Conductors with higher temperature rating may be used, but at their 75°C ampacity.

Accessories:

- Optional IP20 finger-safe covers in indicating and non-indicating versions. Order one for each pole.

Recommended fuses (order separately):

- Time-delay Class J Low-Peak™ (see Data Sheet # 1007)
 - Indicating LPJ-(amp)SPI
 - Non-indicating LPJ-(amp)SP
- Fast-acting Class J Limitron™ (see Data Sheet # 1027)
 - Non-indicating JKS-(amp)
- High Speed Class J DFJ Drive Fuses (see Data Sheet # 1048)



Loadside view



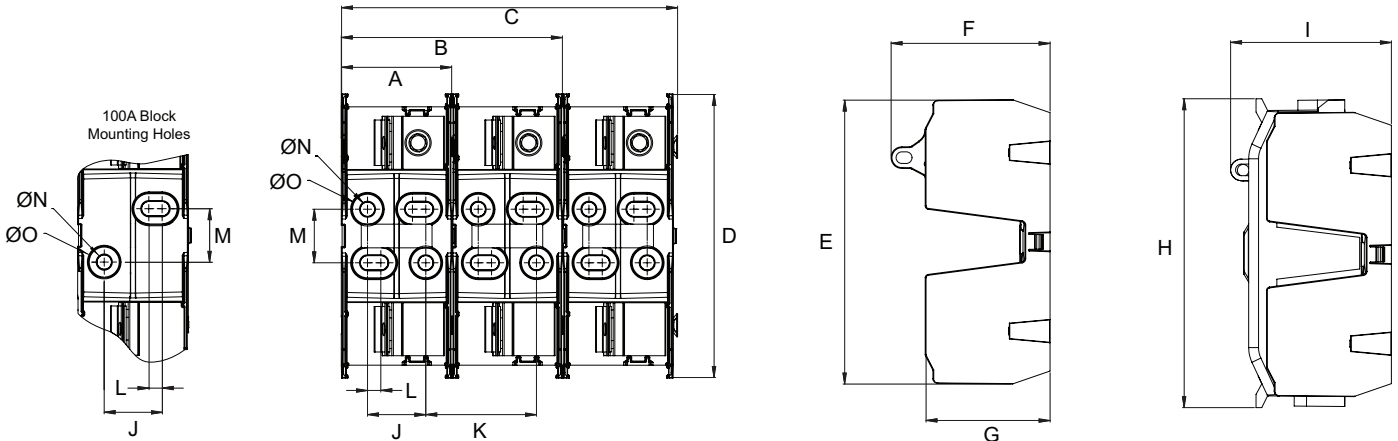
Eaton power distribution fuse blocks are available preassembled into 1-, 2- and 3-pole versions. Individual blocks can be dovetailed together to achieve the desired number of poles. Use of covers requires ordering separately one cover for each pole.

Data Sheet: 10192

Part Number	Optional Covers	Volts (V)	Fuse Range	Poles	Lineside		Loadside	
					Conductors	Torque AWG; N*m (Lb-In)	Conductors	Torque AWG; N*m (Lb-In)
JM60100-1MW14 JM60100-2MW14 JM60100-3MW14	CVR-J-60100-M CVRI-J-60100-M*	600	70-100A	1 2 3	(1) 1/0-14 CU/AL	1/0-1; 5.6 (50) 4-6; 5.0 (45) 8; 4.5 (40) 10-14; 4.0 (35)	(4) 4-14 CU, 4-8 AL (8)**10-14 CU	4-6; 4.0 (35) 8; 2.8 (25) 10-14; 2.3 (20) [†] (2) 10-14; 3.4 (30) [†]
JM60200-1MW16 JM60200-2MW16 JM60200-3MW16	CVR-J-60200-M CVRI-J-60200-M*	600	110-200A	1 2 3	(1) 250kcmil-6 CU/AL	250kcmil-1; 42 (375) (2) 2-6; 31 (275)	(6) 4-14 CU, 4-8 AL (12)**10-14 CU	4-6; 4.0 (35) 8; 2.8 (25) 10-14; 2.3 (20) [†] (2) 10-14; 3.4 (30) [†]
JM60400-1MW16 JM60400-2MW16 JM60400-3MW16	CVR-J-60400-M CVRI-J-60400-M*	600	225-400A	1 2 3	(1) 600kcmil-4 CU/AL	600kcmil-4; 57 (500) 500kcmil; 51 (450) (2) 3/0-4; 57 (500) CU 34 (300) AL	(6) 2-14 CU, 2-8 AL (12)**8-14 CU, 8 AL	2-3; 5.6 (50) 4-6; 5.0 (45) 8; 4.5 (40) (2) 8; 4.5 (40) ^{†††} 10-14; 4.0 (35) [†] (2) 10-14; 4.5 (40) [†]
JM60400-1MW26 ^{††} JM60400-2MW26 ^{††} JM60400-3MW26 ^{††}				1 2 3	(2) 350kcmil-6 CU/AL	(2) 350kcmil-1; 42 (375) (2) 2-6; 31 (275)	(6) 2-14 CU, 2-8 AL (12)**8-14 CU, 8 AL	2-3; 5.6 (50) 4-6; 5.0 (45) 8; 4.5 (40) (2) 8; 4.5 (40) ^{†††} 10-14; 4.0 (35) [†] (2) 10-14; 4.5 (40) [†]

* With open fuse indication. 90V minimum and closed circuit required for illumination.
 ** Dual wire rated lugs with same wire size.
 † Copper conductor only.
 †† Lineside dual box lug.
 ††† Dual wire not for CSA installations

Dimensions - in (mm)



Block Size		A	B	C	D	E	F	G	H	I	J	K	L	M	ØN	ØO
100A	in	2.0	4.0	6.0	5.5	5.5	2.8	2.2	6.0	2.8	0.9	2.0	0.4	1.1	0.4	0.5
	mm	51	102	153	139	139	72	55	152	72	22	51	10	29	9	13
200A	in	2.6	5.3	8.0	6.8	6.8	3.8	3.0	7.3	3.8	1.4	2.6	0.3	1.3	0.4	0.7
	mm	67	134	203	172	172	97	75	186	97	35	67	8	32	9	19
400A	in	3.5	7.0	10.6	8.0	8.0	4.8	4.1	8.7	4.8	2.0	3.5	0.3	1.6	0.4	0.7
	mm	88	177	268	202	202	121	105	220	121	50	88	8	41	9	19

9

Fuse holders and blocks

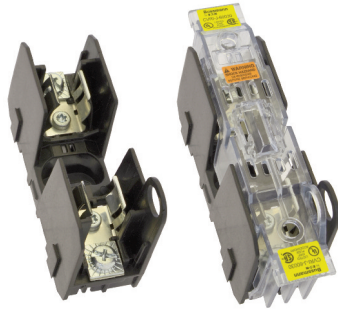
Class H(K), J and R modular ferrule fuse blocks – 250 and 600V

Class H(K), J and R

Specifications

Description: HM Class H(K) JM Class J and RM Class R modular ferrule fuse blocks for fuses up to 60 amps.

These new Bussmann series fuse blocks contain multiple features that increase versatility, reduce labor and enhance safety for any panel or electrical system design.



Ratings:

- Volts Class H 250V, 600V
 Class J 600V
 Class R 250V, 600V
- Amps up to 60A
- Withstand Class J and R 200kA RMS Sym
 Class H(K) 10kA RMS Sym

Agency information:

Blocks:

- UL Listed E14853 - IZLT
- CSA Certified 47235-6225-01
- CE
- RoHS Compliant

Covers:

- UL Listed E58836 - JDVS
- CSA Certified 47235-6225-01
- RoHS Compliant

Poles:

- 1-, 2-, 3-pole units factory assembled
- Single-pole units snap together to create desired number

Flammability ratings:

- Blocks — UL 94V0, self-extinguishing
- Covers — UL 94HB, self-extinguishing

Operating and storage temperature range:

- Blocks -40°C to +120°C
- Non-Indicating covers -40°C to +120°C
- Indicating covers -20°C to +90°C*

* Indication requires minimum 90Vac/dc and closed circuit to illuminate.

Materials:

- Base — Thermoplastic
- Terminals — Tin-plated copper brass
- Covers — Thermoplastic

Features and benefits:

- Available in 1-, 2-, and 3-pole configurations to meet stocking requirements.
- To reduce inventory, assembly time and labor, modular single-pole blocks snap-together for tool-less assembly of multiple poles at point of use.
- DIN-Rail and panel mount versatility allows one product to be used for multiple applications with lower inventory cost.
- Save panel space with the smallest width dimension on the market.
- Optional see-through, IP20 finger-safe covers enhance safety with lock-out/tag-out capability.
- Optional open fuse indication on covers speeds troubleshooting.
- Easy circuit identification with available universal marker labels for blocks and covers.

Table 1. Terminals, conductors and torque values

Terminal type	AWG type/range	Torque	
		AWG	Lb-in (N·m)
Box Lug ("CR" Option)	75°C CU 2-14, AL 2-8	2-3;	50 (5.6)
		4-6;	45 (5.1)
		8;	40 (4.5)
		10-14;	35 (4.0)
All other terminals*	75/90°C CU 10-18	10-18;	20 (2.3)

* 3/16" Quick Connect terminal maximum ampacity dependent on female spade connector and wire ratings.

Table 2. Class H fuse block catalog numbers

Box lug	Terminal type			Volts	Fuse amp range	Poles
	#10-32 Phil-slot screw	Screw with quick-connect*	Pressure plate			
HM25030-1CR	HM25030-1SR	HM25030-1QR	HM25030-1PR	250	1/2 to 30	1
HM25030-2CR	HM25030-2SR	HM25030-2QR	HM25030-2PR			2
HM25030-3CR	HM25030-3SR	HM25030-3QR	HM25030-3PR			3
HM25060-1CR	—	—	—		31 to 60	1
HM25060-2CR	—	—	—			2
HM25060-3CR	—	—	—			3
HM60030-1CR	HM60030-1SR	—	HM60030-1PR	600	1/2 to 30	1
HM60030-2CR	HM60030-2SR	—	HM60030-2PR			2
HM60030-3CR	HM60030-3SR	—	HM60030-3PR			3
HM60060-1CR	—	—	—		31 to 60	1
HM60060-2CR	—	—	—			2
HM60060-3CR	—	—	—			3

* 3/16" Quick Connect terminal maximum ampacity dependent on female spade connector and wire ratings.

Table 3. Class H block covers

Fuse block series	Volts	Amp range	Catalog numbers	
			Indicating	Non-indicating
HM25030-#XX	250	1/2 to 30	CVRI-RH-25030	CVR-RH-25030
HM25060-#XX		31 to 60	CVRI-RH-25060	CVR-RH-25060
HM60030-#XX	600	1/2 to 30	CVRI-RH-60030	CVR-RH-60030
HM60060-#XX		31 to 60	CVRI-RH-60060	CVR-RH-60060

= number of poles

XX = terminal type



Table 4. Class R fuse block catalog numbers

Box lug	Terminal type			Volts	Fuse amp range	Poles
	#10-32 Phil-slot screw	Screw with quick-connect	Pressure plate			
RM25030-1CR	RM25030-1SR	RM25030-1QR	RM25030-1PR	250	1/2 to 30	1
RM25030-2CR	RM25030-2SR	RM25030-2QR	RM25030-2PR			2
RM25030-3CR	RM25030-3SR	RM25030-3QR	RM25030-3PR			3
RM25060-1CR	—	—	—		31 to 60	1
RM25060-2CR	—	—	—			2
RM25060-3CR	—	—	—			3
RM60030-1CR	RM60030-1SR	—	RM60030-1PR	600	1/2 to 30	1
RM60030-2CR	RM60030-2SR	—	RM60030-2PR			2
RM60030-3CR	RM60030-3SR	—	RM60030-3PR			3
RM60060-1CR	—	—	—		31 to 60	1
RM60060-2CR	—	—	—			2
RM60060-3CR	—	—	—			3

* 3/16" Quick Connect terminal maximum ampacity dependent on female spade connector and wire ratings.

Table 5. Class R block covers

Fuse block series	Volts	Amp range	Catalog numbers	
			Indicating	Non-indicating
RM25030-#XX	250	1/2 to 30	CVRI-RH-25030	CVR-RH-25030
RM25060-#XX		31 to 60	CVRI-RH-25060	CVR-RH-25060
RM60030-#XX	600	1/2 to 30	CVRI-RH-60030	CVR-RH-60030
RM60060-#XX		31 to 60	CVRI-RH-60060	CVR-RH-60060

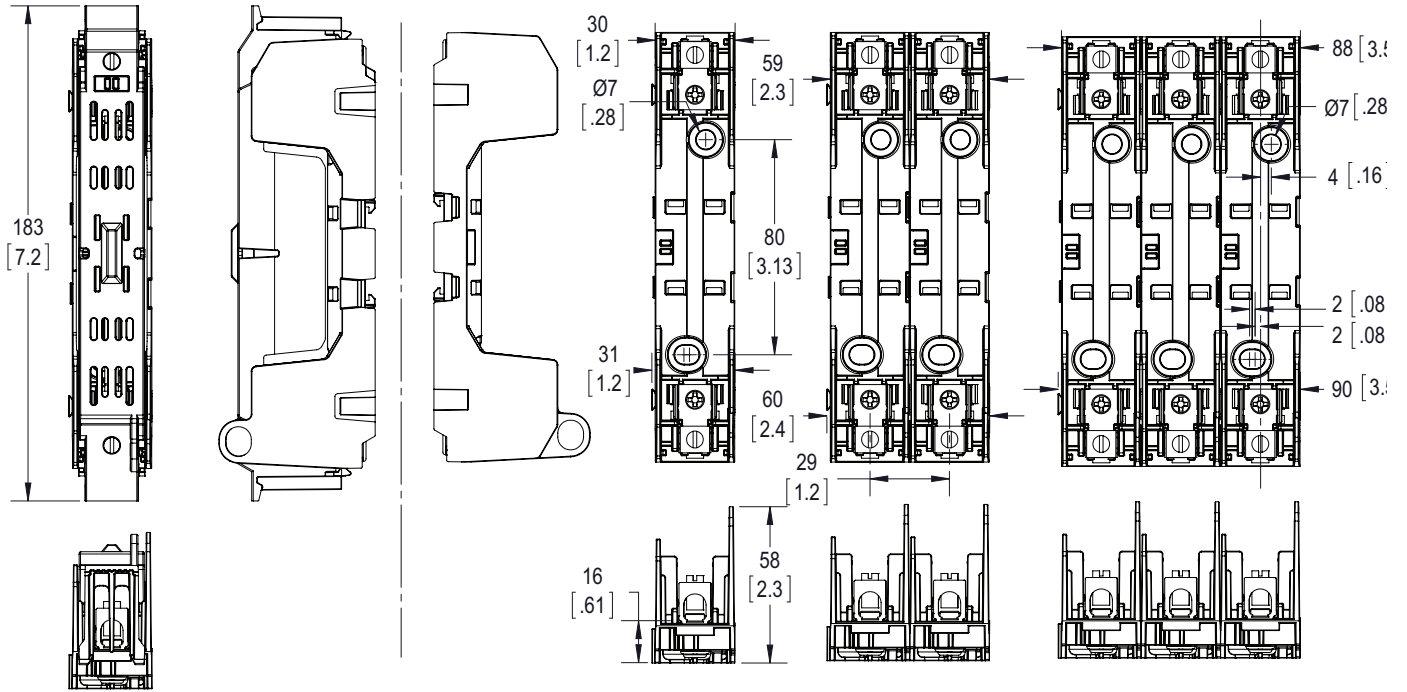
= number of poles

XX = terminal type



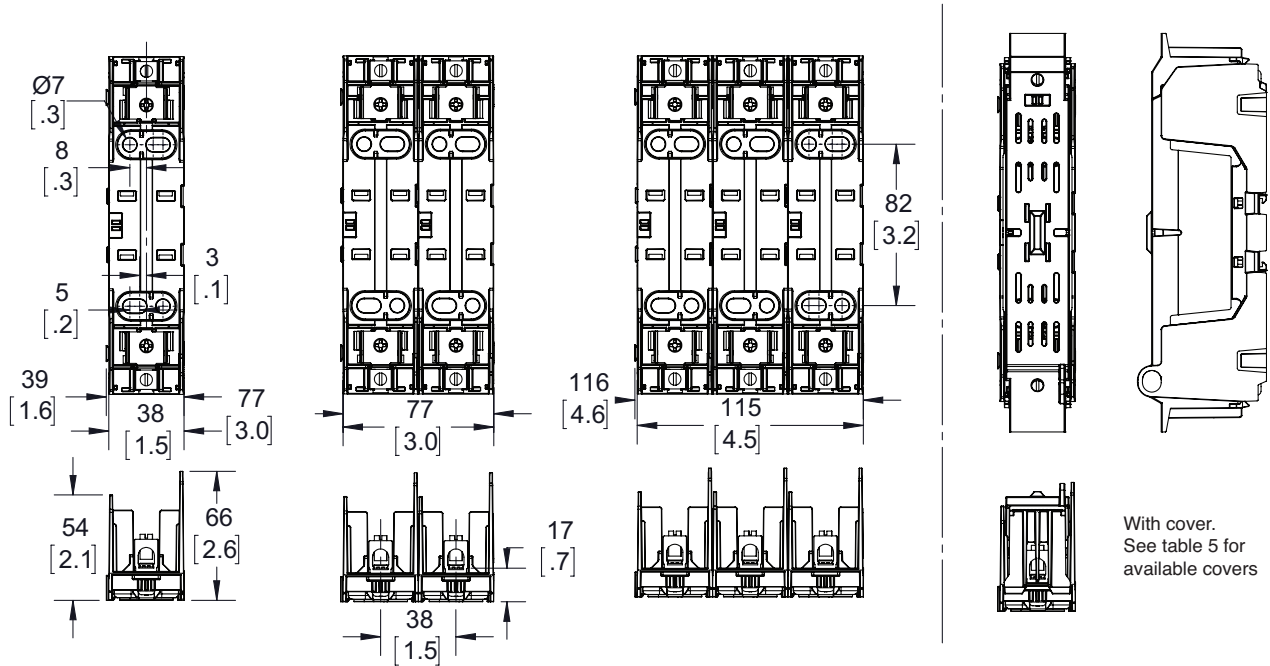
Class H(K), J and R modular ferrule fuse blocks – 250 and 600V

Class H(K) and R 600V - 30A block dimensions - mm (in)



With cover.
See table 5 for available covers

Class H(K) and R 600V - 60A block dimensions - mm (in)



With cover.
See table 5 for available covers

9

Fuse holders and blocks

Class H(K), J and R modular ferrule fuse blocks – 250 and 600V

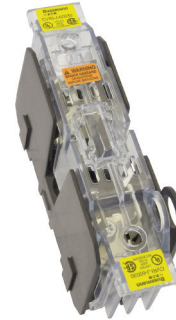
Table 6. Class J fuse block catalog numbers

Terminal type			Volts	Fuse amp range	Poles
Box lug	#10-32 Phil-slot screw	Pressure plate			
JM60030-1CR	JM60030-1SR	JM60030-1PR	600	1/2 to 30	1
JM60030-2CR	JM60030-2SR	JM60030-2PR			2
JM60030-3CR	JM60030-3SR	JM60030-3PR			3
JM60060-1CR	—	—		31 to 60	1
JM60060-2CR	—	—			2
JM60060-3CR	—	—			3

Table 7. Class J block covers

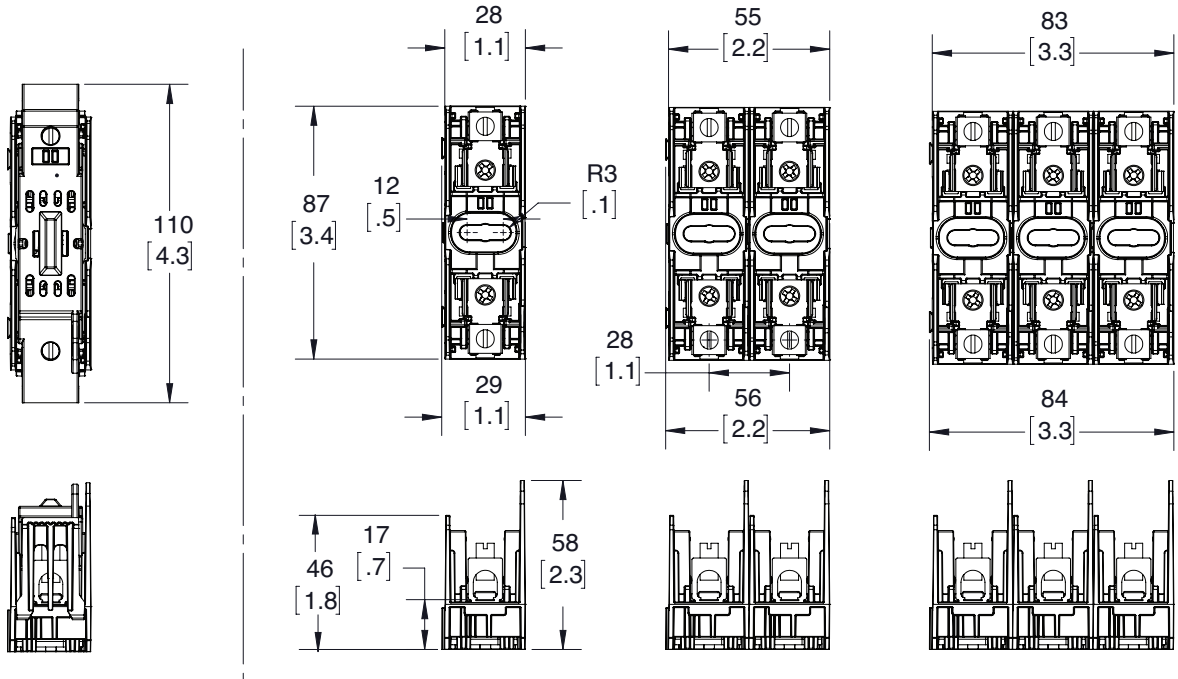
Fuse block series	Volts	Amp range	Catalog numbers	
			Indicating	Non-indicating
JM60030-#XX	600	1/2 to 30	CVRI-J-60030	CVR-J-60030
JM60060-#XX		31 to 60	CVRI-J-60060	CVR-J-60060

= number of poles
XX = terminal type



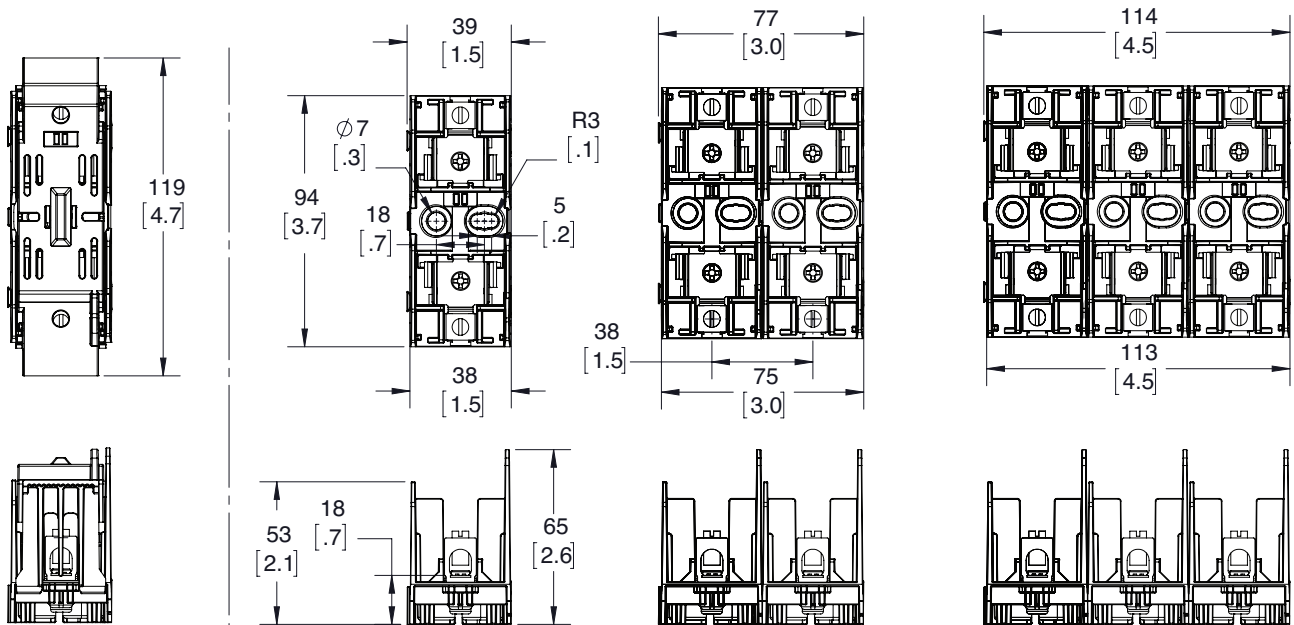
Class H(K), J and R modular ferrule fuse blocks – 250 and 600V

Class J - 30A block dimensions - mm (in)



With cover.
See table 5 for available covers.

Class J - 60A block dimensions - mm (in)



With cover.
See table 5 for available covers.

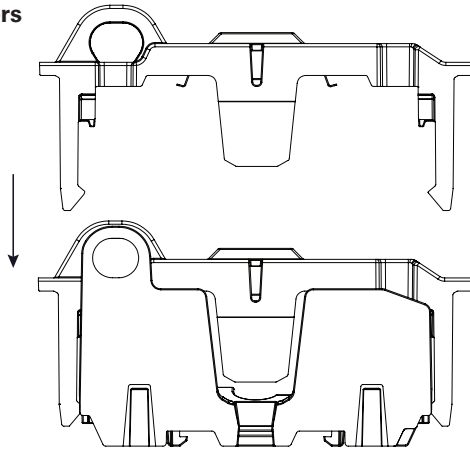
9

Fuse holders and blocks

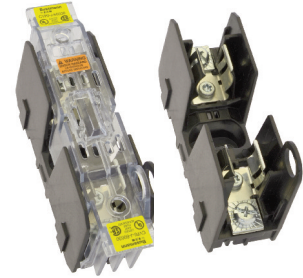
Class H(K), J and R modular ferrule fuse blocks – 250 and 600V

Installing/removing covers

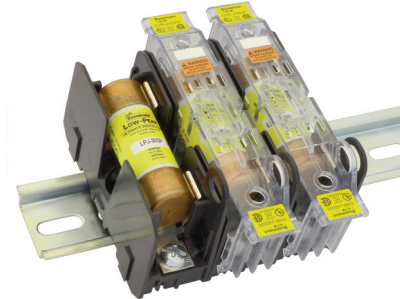
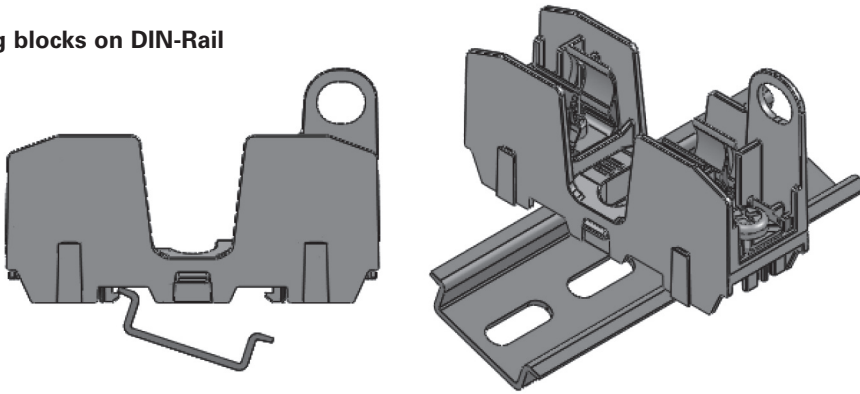
Closing cover: Position cover over block and push straight down until it snaps/clicks into place.



Opening cover: Using both outside handles, pull straight up.



Installing blocks on DIN-Rail



Place one edge of DIN-Rail in fuse block base, then rotate block down until it clicks into place.

JP

Specifications

Description: Pyramid style 3-pole fuse block for use with Class J fuses (Bussmann series LPJ, DFJ, JKS).

Dimensions: See dimensions illustrations.

Ratings:

Volts: — 600V

Amps: — 0-30A

SCCR: — 200kA RMS Sym.

Agency information: CE, UL Listed, UL 4248, Guide IZLT, File E14853, CSA Certified, C22.2 No. 39, Class 4225-04, File 47235.

Flammability rating: UL 94V0.

Mounting: Panel or 35mm DIN-Rail mount.

To order DIN-Rail: Part# DRL35MMLO (1 meter).

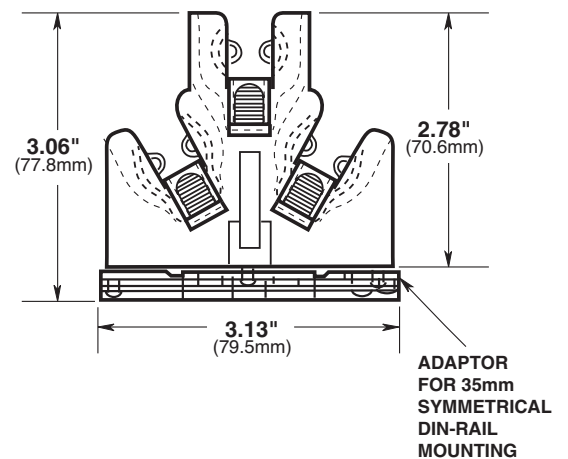
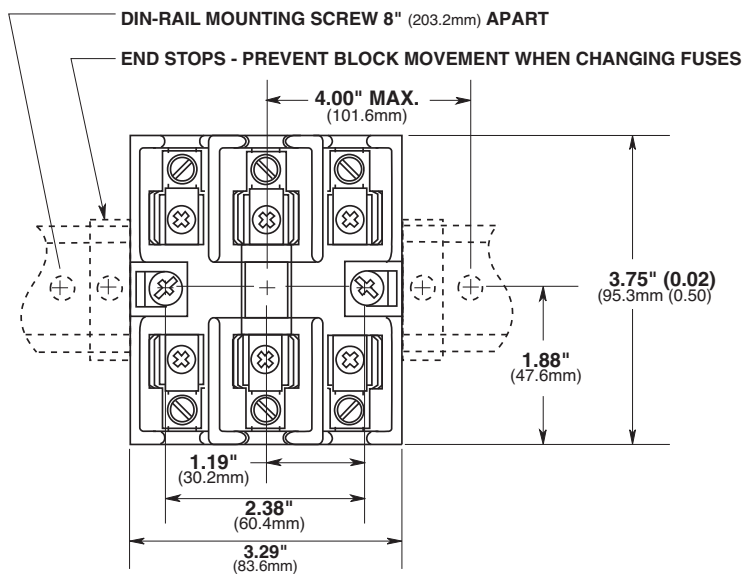
Catalog numbers

Catalog numbers	Mounting					
	Panel	With DIN-Rail adapter*	Screws with pressure plate	Box		
				Aluminum	Copper only	
Wire range						
JP60030-3PR	X		X			#10-14 Cu Only
JP60030-3CR	X			X		#2-14 Cu/Al
JP60030-3COR	X				X	#2-14 Cu Only
JP60030-3PRA		X	X			#10-14 Cu Only
JP60030-3CRA		X		X		#2-14 Cu/Al
JP60030-3CORA		X			X	#2-14 Cu Only

*Adapter only for DIN-Rail - Cat No. JPA-3.



Dimensions - in ± 0.015" (± 0.40mm)



BCM and BMM

Specifications

Description: BCM (Class CC) and BMM (supplemental 13/32 x 1-1/2" /10x38) modular style fuse blocks with optional covers.

These new Bussmann series fuse blocks contain multiple features to add versatility, reduce labor and enhance safety of any panel design.



Ratings:

- Volts 600V
- Amps up to 30A
- Withstand 200kA RMS Sym

Agency information:

Class CC BCM Series

- UL Listed E14853 - IZLT
- CSA Certified 47235-6225-01
- CE
- RoHS Compliant

13/32" x 1-1/2" (Midget) BMM Series

- UL Recognized E14853 - IZLT2
- CSA Certified 47235-6225-01
- CE
- RoHS Compliant

Covers:

- Covers are included in the overall UL Listing/Recognition and CSA Certification
- IP20 finger-safe
- RoHS Compliant

Poles:

- 1-, 2-, 3-pole units factory assembled
- Single-pole units snap together to create desired number of poles

Flammability ratings:

Flammability ratings:

- Blocks — UL 94V0, self-extinguishing
- Covers — UL 94HB, self-extinguishing

Operating and storage temperature range:

- Blocks -40°C to +120°C
- Non indicating covers -40°C to +120°C
- Indicating covers -20°C to +90°C*

* Indication requires minimum 90Vac/dc and closed circuit to illuminate.

Materials:

- Base — Thermoplastic
- Terminals — Tin-plated bimetallic copper
- Covers — Thermoplastic
- Screws and pressure plates — Zinc-plated steel

Features and benefits:

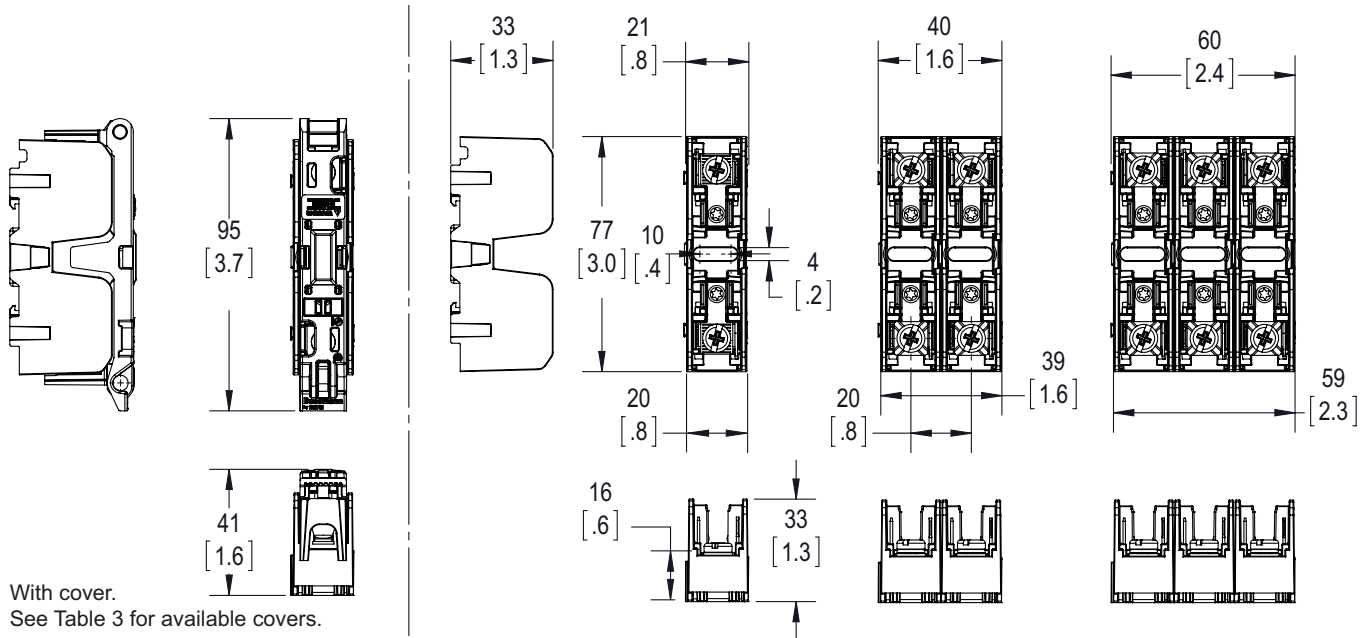
- Available in 1-, 2- and 3-pole configurations to meet stocking requirements.
- Blocks are fully modular with a snap-together design that provides tool-less assembly of multiple pole blocks at point-of-use to reduce inventory and save assembly time and labor.
- DIN-Rail and panel mount versatility allows one product to be used for multiple applications, lowering inventory cost.
- Compact footprint consumes minimal panel space.
- Optional see-through cover enhances safety with IP20 finger-safe protection, lockout/tagout capability and open circuit indication.
- Easy circuit identification with available universal marker labels for fuse block covers.
- Tin-plated bimetallic copper fuse clips deliver superior fatigue resistance compared to traditional spring brass.
- Terminal options to meet application needs including 1/4" spade quick connect terminals for faster panel assembly.

Table 1. Catalog numbers

#10-32 Phil-slot screw	Terminal type		Pressure plate with quick connect*	Box lug	Poles	Fuse class
	Screw with quick connect*	Pressure plate				
BCM603-1S	BCM603-1SQ	BCM603-1P	BCM603-1PQ	BCM603-1C	1	CC
BCM603-2S	BCM603-2SQ	BCM603-2P	BCM603-2PQ	BCM603-2C	2	CC
BCM603-3S	BCM603-3SQ	BCM603-3P	BCM603-3PQ	BCM603-3C	3	CC
—	BMM603-1SQ	—	BMM603-1PQ	BMM603-1C	1	10x38 (13/32"x1-1/2")
—	BMM603-2SQ	—	BMM603-2PQ	BMM603-2C	2	10x38 (13/32"x1-1/2")
—	BMM603-3SQ	—	BMM603-3PQ	BMM603-3C	3	10x38 (13/32"x1-1/2")
—	BCCMM603-3SQ	—	BCCMM603-3PQ	—	3	3-Pole control circuit transformer block 2-pole CC with 1-pole 10x38 (13/32"x1-1/2")

* 1/4" Quick Connect terminal maximum ampacity dependent on female spade connector and wire ratings.

Dimensions - mm (in)



With cover.
See Table 3 for available covers.

Table 2. Terminal specifications

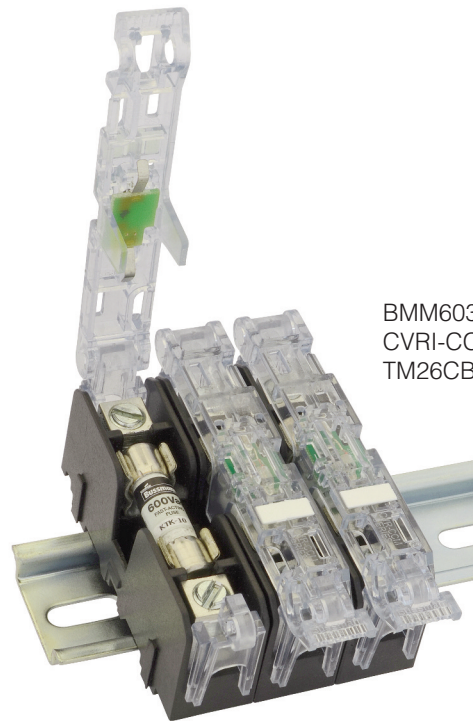
Terminal type	75/90°C AWG type/ range	Torque	
		AWG	lb-in (N·m)
Box lug (C)	CU 2-14 AL 2-8	CU 2-3	50 (5.6)
		CU 4-6	45 (5.1)
		CU 8-14	35 (4.0)
		AL 2-6	50 (5.6)
		AL 8	40 (4.5)
Screw (S)			
Screw/quick connect* (SQ)			
Pressure plate (P)	CU 10-18	10-18	20 (2.3)
Pressure plate/ quick connect* (PQ)			

* ¼" Quick Connect terminal maximum ampacity dependent on female spade connector and wire ratings.

Table 3. Recommended covers*

Terminal type	Cover part numbers	
	Indicating	Non indicating
Box lug (C)	CVRI-CCM	CVR-CCM
Screw (S)	CVRI-CCM	CVR-CCM
Screw/quick connect (SQ)	CVRI-CCM-QC	CVR-CCM-QC
Pressure plate (P)	CVRI-CCM	CVR-CCM
Pressure plate/quick connect (PQ)	CVRI-CCM-QC	CVR-CCM-QC

* For use with 4AWG max conductors.



BMM603-3C with
CVRI-CCM covers and
TM26CB marker labels

9

Fuse holders and blocks

1000Vdc modular photovoltaic ferrule fuse blocks

BPVM

Specifications

Description: BPVM modular style 1000Vdc fuse blocks for use with 10x38mm (13/32" x 1-1/2") photovoltaic fuses up to 30 amps. These new Bussmann series fuse blocks contain multiple features to add versatility, reduce labor and enhance safety of any panel design.



Ratings:

- Volts 1000Vdc
- Amps up to 30A
- Withstand 33kA



Agency information:

Blocks:

- UL Listed E348242 - IZMR
- CSA Component Acceptance 47235-6225-01
- CE
- RoHS Compliant

Covers:

- Covers are included in the overall UL Listing and CSA Acceptance
- IP20 finger-safe
- RoHS Compliant

Poles:

- 1-, 2-pole units factory assembled
- Single-pole units snap together to create desired number of poles

Flammability ratings:

- Blocks — UL 94V0, self-extinguishing
- Covers — UL 94HB, self-extinguishing

Operating and storage temperature range:

- Blocks -40°C to +120°C
- Non-Indicating covers -40°C to +120°C
- Indicating covers -20°C to +90°C*

* Indication requires minimum 90Vac/dc and closed circuit to illuminate.

Materials:

- Base — Thermoplastic
- Terminals — Tin-plated bimetallic copper
- Covers — Thermoplastic
- Screws and pressure plates — Zinc-plated steel

Marker labels:

- Use Bussmann part number TM26CB

Features and benefits:

- Available in 1- and 2-pole configurations to meet stocking requirements.
- Blocks are fully modular with a snap-together design that provides tool-less assembly of multiple pole blocks at point-of-use to reduce inventory and save assembly time and labor.
- DIN-Rail and panel mount versatility allows one product to be used for multiple applications, lowering inventory cost.
- Compact footprint consumes minimal panel space.
- Optional see-through cover enhances safety with IP20 finger-safe protection, lockout/tagout capability and open circuit indication.
- Easy circuit identification with available universal marker labels for fuse block covers.
- Tin-plated bimetallic copper fuse clips deliver superior fatigue resistance compared to traditional spring brass.
- Listed to UL 4248-18 for photovoltaic applications

Data Sheet: 10265

1000Vdc modular photovoltaic ferrule fuse blocks

Terminal type	75/90°C AWG type/range	AWG	lb-in (N·m)
Box lug ("CR" Option)	CU 2-14, AL 2-8	CU 2-3	50 (5.6)
		CU 4-6	45 (5.1)
		CU 8-14	35 (4.0)
		AL 2-6	50 (5.6)
		AL 8	40 (4.5)
Screw (S)	CU 10-18	10-18	20 (2.3)

Table 2. Catalog numbers

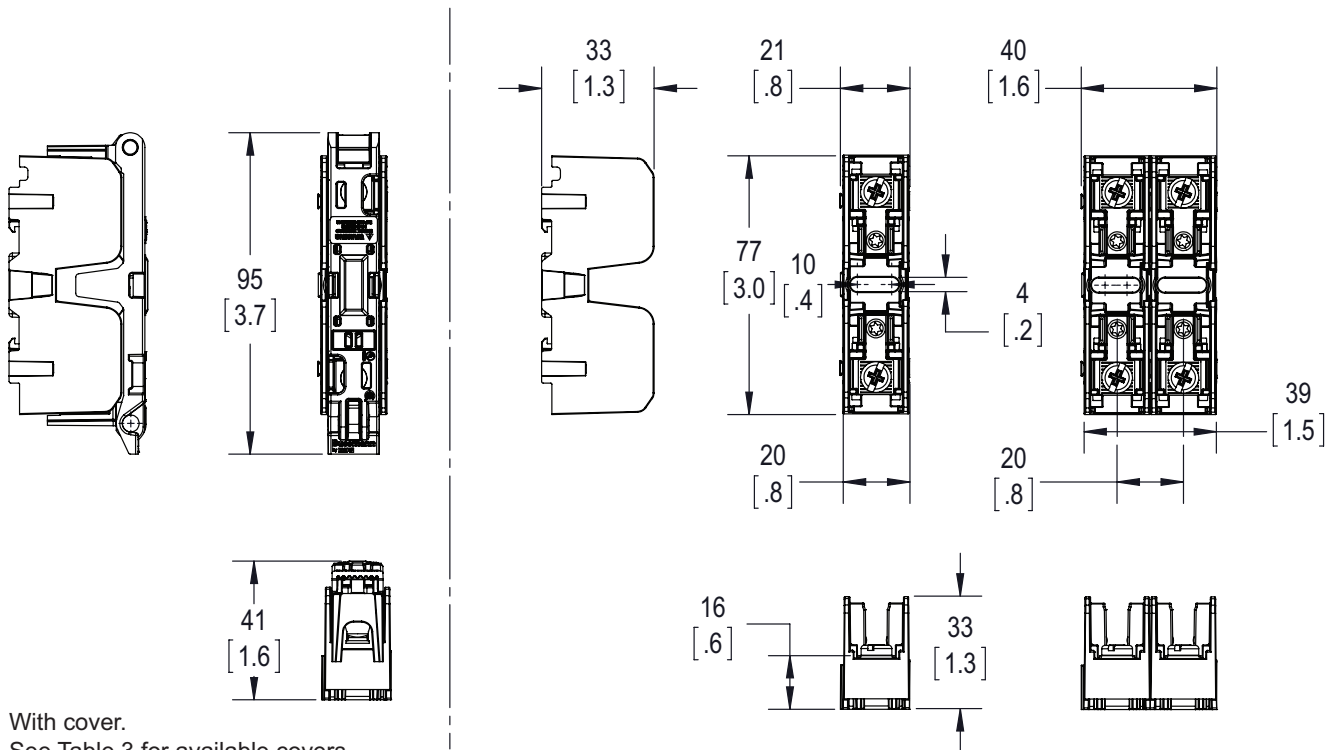
Terminal type		Poles	Fuse class
#10-32 Phil-slot screw	Box lug		
BPVM-1S	BPVM-1C	1	10x38 (13/32# x 1-1/2") gPV and PV
BPVM-2S	BPVM-2C	2	10x38 (13/32# x 1-1/2") gPV and PV

Table 3. Recommended covers*

Cover part numbers	
Indicating	Non indicating
CVRI-CCM	CVR-CCM

* For use with 4AWG max conductors.

Dimensions - mm (in)



9

Fuse holders and blocks

Class T fuse blocks – 300V

T300

Specifications

Description: T300 (300V) fuse blocks for use with Class T fuses (Bussmann series JJN).

Dimensions: See dimensions illustrations.

Poles: 1 to 4

Ratings:

Volts: — 300Vac/dc

Amps: — ½ - 600A

SCCR: — 200kA RMS Sym.

Agency information: CE, UL Listed UL 4248, Guide IZLT, File E14853, CSA Certified, Class 6225-01, File 47235.

Flammability rating: UL 94V0.

Features and benefits

- Provide 1-, 2- and 3-pole housing for 300Vac Class T fuses.
- Short-Circuit Current Rating of 200kA RMS Sym.
- Class T fuse blocks have a small foot print, providing substantial space savings in equipment

Typical applications

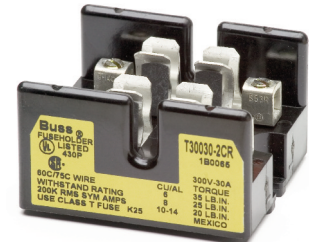
- 300Vac/dc or less control systems
- 300Vac/dc or less individual control circuits

Catalog numbers

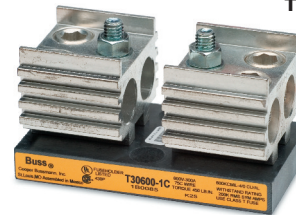
Catalog numbers					
Screw	Box Lug	Amps	Poles	Fig. no.	Wire range
T30030-2SR	T30030-2CR	½-30	2	1	SR #10-18 Cu CR #6-14 Cu/Al
T30030-3SR	T30030-3CR		3		
T30030-4SR	T30030-4CR		4		
T30060-2SR	T30060-2CR	31-60	2	3	CR #2-14 Cu/Al SR #10-18 Cu only
T30060-3SR	T30060-3CR		3		
T30060-4SR	T30060-4CR		4		
—	T30100-1CR	61-100	1	2	1/0-8 Cu/Al
—	T30100-2CR		2		
—	T30100-3CR		3		
—	T30200-1C	101-200	1	3	250kcmil-6 Cu/Al
—	T30200-3C		3	4	
—	T30400-1C	201-400	1	5	600kcmil-2/0 Cu/Al
—	T30600-1C	401-600	1	6	(2) 600kcmil-4/0 Cu/Al



T30100-1CR

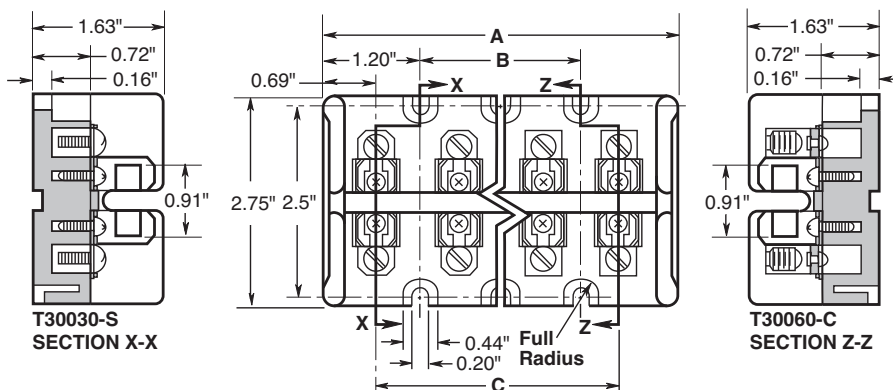


T30030-2CR



T30600-1C

Dimensions - in Figure 1. ½-60A



Catalog number	Dimensions - in		
	A	B	C
T30030-2	2.41	—	1.03
T30060-2	2.41	—	1.03
T30030-3	3.44	1.03	2.06
T30060-3	3.44	1.03	2.06
T30030-4	4.47	2.06	3.09
T30060-4	4.47	2.06	3.09

Data Sheet: 1115

Figure 2. 61 to 100A

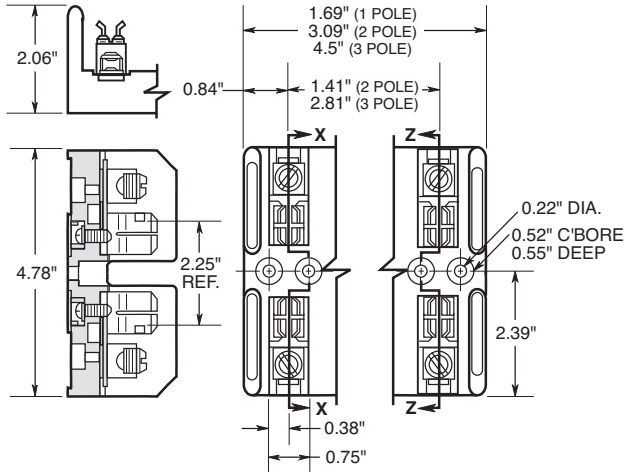


Figure 3. 101 to 200A

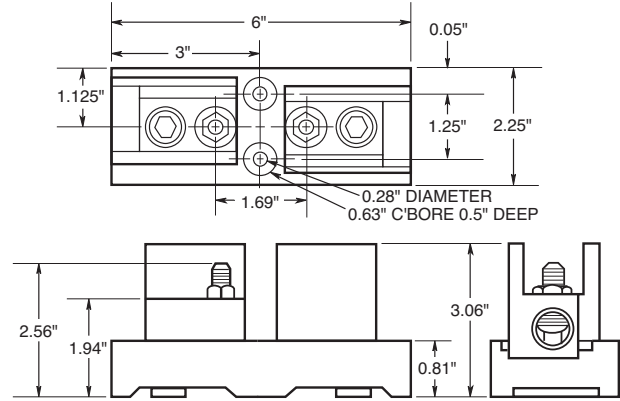


Figure 4. 200A

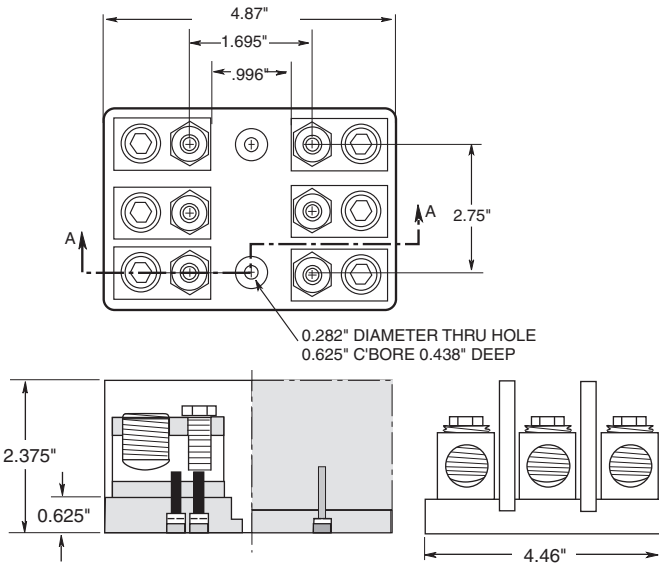


Figure 5. 201 to 400A

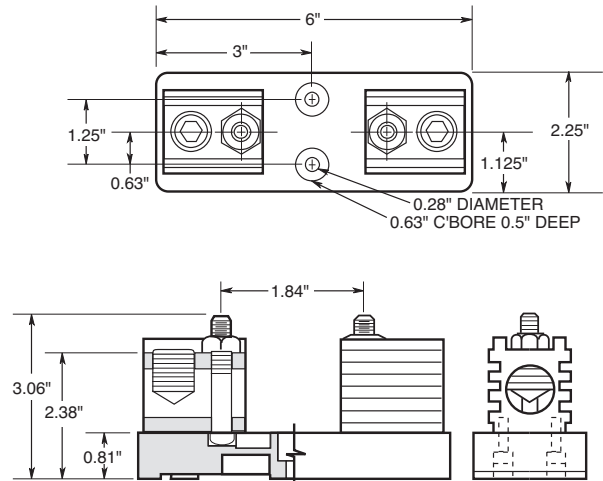
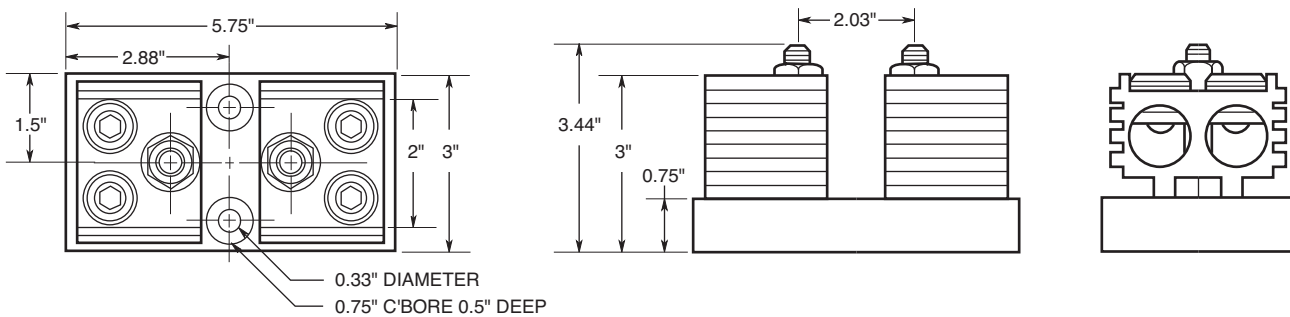


Figure 6. 401 to 600A



9

Fuse holders and blocks

Class T fuse blocks – 600V

T600

Specifications

Description: T600 (600V) fuse blocks for use with Class T fuses (Bussmann series JJS).

Dimensions: See dimensions illustrations.

Poles: 1 to 3

Ratings:

Volts: — 600Vac/dc

Amps: — ½ - 600A

SCCR: — 200kA RMS Sym.

Agency information: CE, UL Listed UL 4248, Guide IZLT, File E14853, CSA Certified, Class 6225-01, File 47235.

Flammability rating: UL 94V0.

Features and benefits

- Provide 1-, 2- and 3-pole housing for 600Vac Class T fuses.
- Short-Circuit Current Rating of 200kA RMS Sym.
- Class T fuse blocks have a small foot print, providing substantial space savings in equipment

Typical applications

- 600Vac/dc or less control systems
- 600Vac/dc or less individual control circuits



T60600-1C

T30030-2CR

Catalog numbers

Screw	Box lug	Amps	Poles	Fig. no.	Wire range
T60030-1SR	T60030-1CR	½-30	1	1	SR #10-18 Cu CR #2-14 Cu/Al
T60030-2SR	T60030-2CR		2		
T60030-3SR	T60030-3CR		3		
T60060-1SR	T60060-1CR	31-60	1	2	CR #2-14 Cu/Al SR #10-18 Cu only
T60060-2SR	T60060-2CR		2		
T60060-3SR	T60060-3CR		3		
—	T60100-1C	61-100	1	3	2/0-14 Cu/Al
—	T60100-2C		2		
—	T60100-3C		3		
—	T60200-1C	101-200	1	4	250kcmil-6 Cu/Al
—	1B0089*		3		
—	T60400-1C	201-400	1	6	600kcmil-2/0 Cu/Al
—	T60600-1C	401-600	1	7	(2) 600kcmil-4/0 Cu/Al

* UL Listed, Guide IZLT, File E14853, CSA Certified Class 6225-01, File 21455M18

Dimensions - in

Figure 1. ½ to 30A

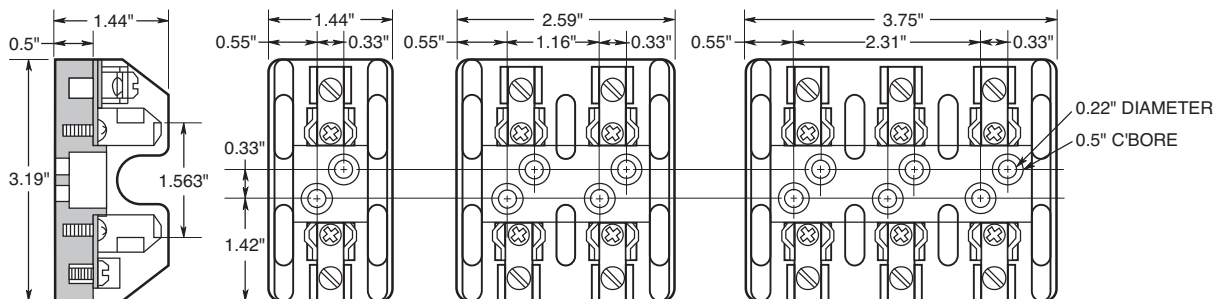
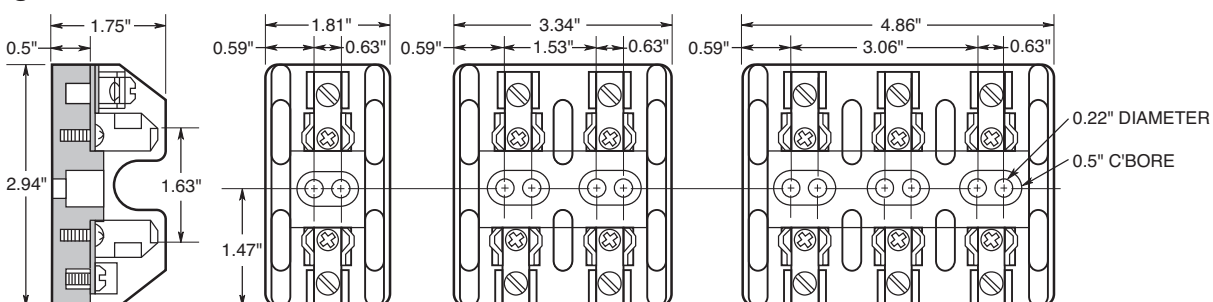


Figure 2. 31 to 60A



Data Sheet: 1116

Figure 3. 61 to 100A

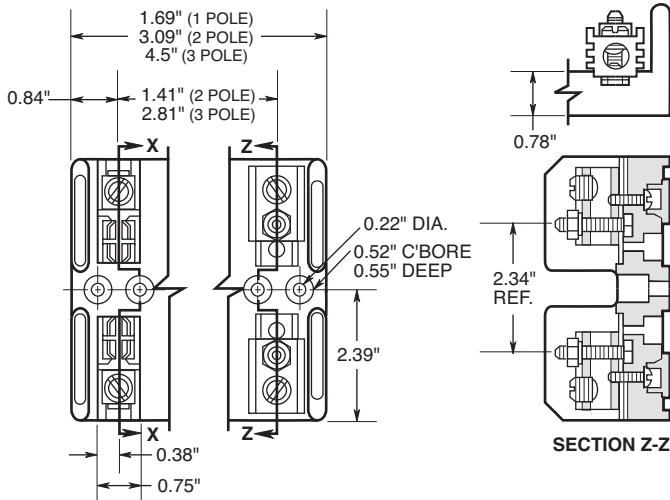


Figure 4. 101 to 200A (T60200-1C)

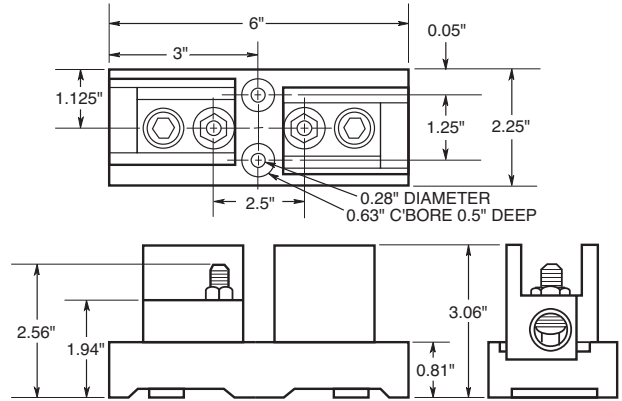


Figure 5. 101 to 200A (1B0089)

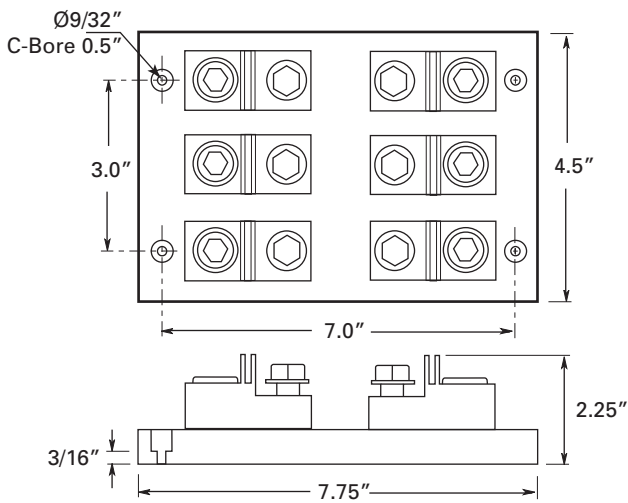


Figure 6. 201 to 400A

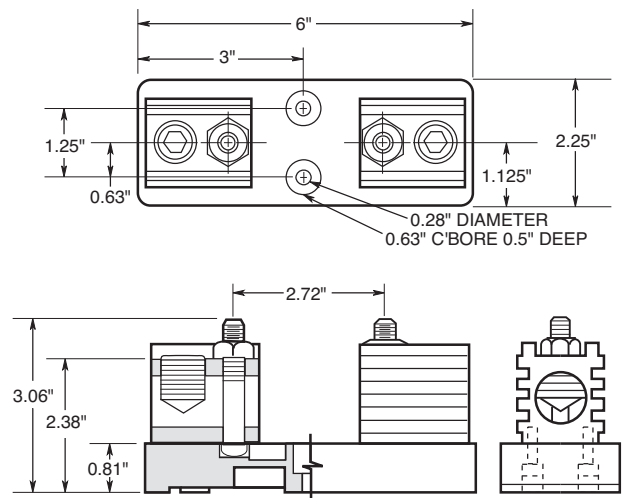
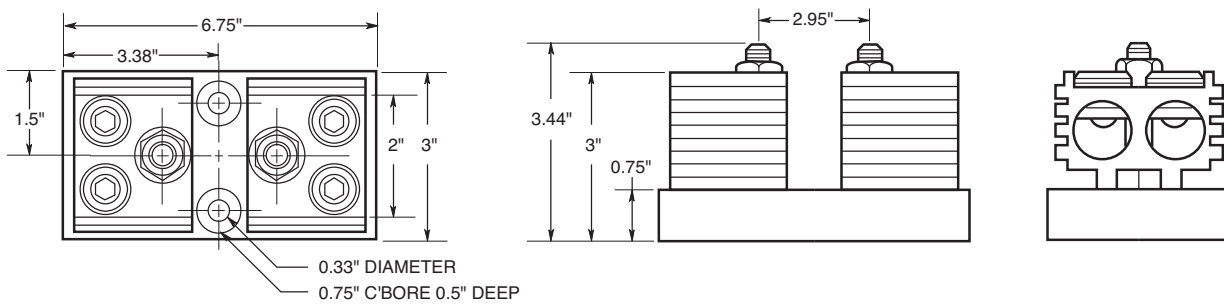


Figure 7. 401 to 600A



9

Fuse holders and blocks

Class G fuse blocks

BG and G



Specifications

Description: Class G fuse blocks for use with Class G fuses (Bussmann series SC).

Dimensions: See Data Sheet 1106

Poles: 1 to 3

Ratings:

- Volts: — 600Vac/dc (0-20A)
- 480Vac/dc (25-60A)

Amps: — 1-60A (See catalog numbers table)

SCCR: — 100kA RMS Sym.

Agency information: CE, UL Listed Guide IZLT, File E14853, CSA (Class 6225-01, File 47235).

DIN-Rail adapters: See page 16-5 for DRA-1 and DRA-2.

Catalog numbers

Terminal type					
Screw with quick connect*	Pressure plate w/ quick connect*	Box lug	Box lug w/retaining clip	Amps	Poles
BG3011SQ	BG3011PQ	BG3011B	—	1-15	1
BG3012SQ	BG3012PQ	BG3012B	—		2
BG3013SQ	BG3013PQ	BG3013B	—		3
BG3021SQ	BG3021PQ	BG3021B	—	20	1
BG3022SQ	BG3022PQ	BG3022B	—		2
BG3023SQ	BG3023PQ	BG3023B	—		3
BG3031S	BG3031P	BG3031B	—	25-30	1
BG3032S	BG3032P	BG3032B	—		2
BG3033S	BG3033P	BG3033B	—		3
—	—	—	G30060-1CR	35-60	1
—	—	—	G30060-2CR		2
—	—	G30060-3C	G30060-3CR		3

Recommended cover puller

- PF1-WH (White)
- PF1-BK (Black)

Data Sheet: 1106

BH



Specifications

Description: For use with Bussmann series high speed fuses.

Ratings:

SCCR: — 200kA RMS Sym. or fuse IR, whichever is lower.

Agency information: CE, UL Recognized, Guide EZLT2, File No. E14853 up to 700V, CSA Certified, Class 6225-01, File No. 47235 up to 700V.

BH series features and benefits

- BH fuse blocks provide a wide range of mounting configurations for Eaton high speed fuses.
- BH fuse blocks have a Short-Circuit Current Rating (SCCR) of any installed fuse up to 200kA RMS Sym.

Typical applications

- Solid state control circuits
- VFDs
- UPS systems

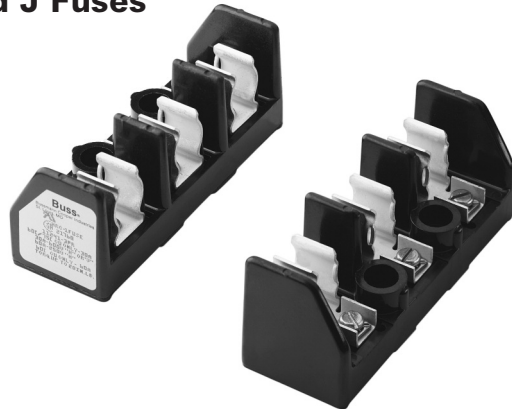
Catalog numbers

BH-0001	BH-0122	BH-2001	BH-3004
BH-0002	BH-1001	BH-2002	BH-3033
BH-0003	BH-1002	BH-2003	BH-3144
BH-0111	BH-1003	BH-2031	BH-3145
BH-0112	BH-1131	BH-2032	
BH-0113	BH-1132	BH-2033	
BH-0121	BH-1133	BH-3003	

Refer to the data sheet numbers below for the catalog code description information.

Data Sheet: (BH-0) 1200; (BH-1) 1201; (BH-2) 1202; (BH-3) 1203

Modular type fuse blocks for Class H and J Fuses



Specifications

Description: 3-pole only, modular type fuse blocks for Class H and J fuses with standard reinforced retaining clips.

Ratings:

- Volts: — 250V (0-60A see catalog numbers table)
- 600V (35-60A see catalog numbers table)
- Amps: — 0-60A @ 250Vac/dc (see catalog numbers table)
- 35-60A@600V (see catalog numbers table)
- SCCR: — Class J 200kA, Class H 10kA

Agency information: CE, UL Recognized, Guide IZLT2, File E14853, CSA Certified, Class 6225-01, File 47235.

Class H and J features and benefits

- H and J modular fuse blocks provide 3-pole 30 and 60 amp ratings for specific client requirements for separate line and load fuse clip configurations.

Typical applications

- Up to 60A, space confined, control circuits

		Catalog numbers			
Screw	Pressure plate	Fuse class	Volts	Amps	Fig. no.
11241-3SR*	11241-3PR*	H	250	60	1
11242-3SR	11242-3PR				2
11241-3SR	11241-3PR		30	60	1
11242-3SR**	11242-3PR**				2
11239-3SR	11239-3PR	J	600	60	1
11240-3SR**	11240-3PR**				2
11241-3SR	11241-3PR		30	60	1
11239-3SR*	11239-3PR*				1

Note: Order two blocks per fuse (matched or mixed.)

*11239 and 11241 have wire terminals and mounting holes located under fuse. (Figure 1)

**11240 and 11242 have wire terminals and mounting holes located at end of fuse. (Figure 2)

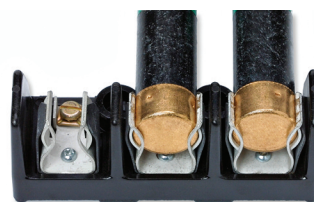


Figure 1



Figure 2

9

Fuse holders and blocks

Box cover units for plug fuses

SOU, SRU, SSN, SSU, SOW, SRW, SSW, SOX, SRX, SSX, SOY, SRY, SSY, SSY-RL, SSY-L, STY, SCY and SOY-B

Specifications

Description: Bussmann series box covers for standard electrical boxes that provide fused outlet, fused switch or circuit fuse protection.

Ratings:

Volts — 125V (see catalog numbers table)

Amps — 0-15A (see catalog numbers table)

Agency information: CE, see catalog numbers table.

Features/Benefits

- Bussmann series box cover units provide a low-cost method of controlling and protecting small motors when used with Bussmann series Type T, Fusetron™, dual-element fuses.
- Provide low-cost supplementary protection and disconnection of 125V or less, single phase circuits.

Typical applications

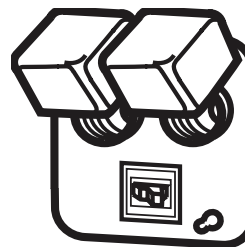
- Fractional horsepower, 125 volt single-phase motor circuits
- General 125 volt supplemental circuits



SOU

SRU

SSU



STY



SSN

Catalog numbers

Catalog numbers	Type box	Fuse holder ³		Receptacle outlet to load		Switch control ¹	Switch light ²	Motor size (max)	General data	Agency ⁴ listing/certification	
		Single	Double	125V	250V						
SOU	2 1/4" Handy	X						3/4hp	125V, 15A	UL, CSA	
SRU		X		X				1/2hp	125V, 15A	UL	
SSU		X					X		1/2hp	125Vac, (do not use on dc), 15A	UL, CSA
SOW	2 1/4" Switch	X						3/4hp	125V, 15A	UL, CSA	
SRW		X		X				1/2hp	125V, 15A	UL	
SSW		X					X		1/2HP	125Vac, (do not use on dc), 15A	UL, CSA
SOX	4" Octagon	X						3/4hp	125V, 15A	UL, CSA	
SRX		X		X				1/2hp	125V, 15A	UL	
SSX		X					X		1/2hp	125Vac, (do not use on dc), 15A	UL, CSA
SOY	4" Square	X						3/4hp	125V, 15A	UL, CSA	
SRY		X		X				1/2hp	125V, 15A	UL	
SSY		X					X		1/2hp	125Vac, (do not use on dc), 15A	UL, CSA
SSY-RL		X		X			X	X	1/2hp	125Vac, (do not use on dc), 15A	—
STY ³			X				X		1/2hp	125Vac, (do not use on dc), 15A	UL
SCY				X			X(2)		1/2hp (2)	125Vac, (do not use on dc), can protect two motors, 15A	UL
SOY-B				X					3/4hp	125V, protects two motors, 15A	UL
SSN	Single gang	X		X		X		1/2hp	Weatherproof model, 15A	UL	

¹ Switch turns power to fused load OFF or ON.

² Switch light indicates power to load (dark when switch OFF or fuse open).

³ Double pole switch opens both sides of circuit. Can be used for two separate motors with common switch or a single motor (3/4Hp, 250Vac max.).

⁴ UL Guide JAMZ, File IE6491; CSA Class 6225-01, File 47235.

In-line fuse holders for 1/4" x 7/8" to 1 1/4" fuses

HFB and HFB-10



Specifications

Description: Water-resistant in-line fuse holder for 1/4" x 1 1/4" fuses.

Dimensions: See Dimensions illustration.

Construction: Thermoplastic rubber body with tin-plated, copper contacts.

Ratings:

Volts: — 32V

Amps: — 30A max

Catalog numbers

Catalog numbers	Description
BP/HFB-RP*	Standard pack (10-in)
BK/HFB	Bulk pack (100-in)
BK/1A2294	HFB replacement contact clip
1A2294-01	HFB-10** replacement contact clip

*HFB accepts #12 to #18 wire leads (not provided). See Data Sheet for recommended crimp tools.

**HFB-10 accepts #10 wire leads (not provided). See Data Sheet for recommended crimp tools.

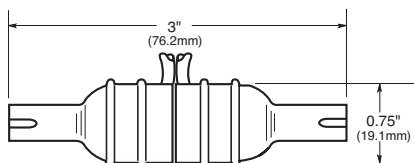
Features/benefits

- Simple assembly with one-piece thermoplastic (important information molded into body)
- High visibility yellow color for easy identification in dark or hard-to-access locations
- Ideal for shock and vibration environments; withstands many organic solvents; temperature range - 40/+150°C

Typical applications

- Supplemental, low voltage, low amperage control circuits

Dimensions - in (mm)



Data Sheet: 2102

HHB



Specifications

Description: Universal in-line fuse holder for 1/4" x 7/8", 1" and 1 1/4" fuses.

Dimensions: See dimensions illustration.

Construction: Nylon body with tin-plated, copper contacts.

Ratings:

Volts: — 32V

Amps: — 30A max

Flammability rating: UL 94V2.

Pull force: 5lbs minimum to separate fuse holder housing with fuse installed.

Features and benefits

- HHB Universal in-line fuse holder for 1/4" x 7/8", 1" and 1 1/4" fuses.

Typical applications

- Supplemental, low voltage, low amperage control circuits

Catalog numbers

Holder — without leads* - RoHS compliant

Catalog numbers	Description
HHB-R	Standard pack (10-in)
BK/HHB-R	Bulk pack (100-in)

*Accepts #12 to #16 wire leads (not provided with basic fuse holder). See Data Sheet for recommended crimp tools.

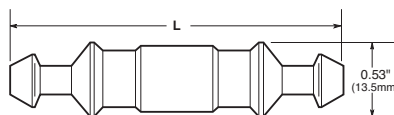
Holder — with pre-attached #14 Insulated lead wires - Not RoHS compliant unless noted

Catalog numbers	19" length	8" length	Wire color
BK/HHB-Y419	BK/HHB-Y408		Yellow
BK/HHB-R419	BK/HHB-R408**		Red
BK/HHB-B419	BK/HHB-B408		Black

**RoHS compliant.

Dimensions - in (mm)

Fuse length	Fuse holder length "L"
7/8" (AGW)	2.100 max
1" (AGX)	2.250 max
1 1/4" (AGC, MDL)	2.420 max



Data Sheet: 2103

HRK



Specifications

Description: Universal in-line fuse holder for 1/4" x 7/8" to 1 1/4" fuses.

Dimensions: See dimensions illustration.

Construction: 8" (203mm) #14 lead wires.

Ratings:

Volts: — 32V

Amps: — 15A max

Features and benefits

- HRK Universal in-line fuse holder for 1/4" x 7/8", 1" and 1 1/4" fuses with #14 lead wires.
- RoHS compliant

Typical applications

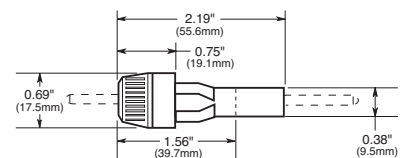
- Supplemental, low voltage, low amperage control circuits

Catalog number

Catalog number	Amp rating	Volts	Fuse description
HRK-R*	15	32	1/4" diameter fuses of different lengths.

*Three springs furnished with fuse holder to accommodate different length 1/4" fuses.

Dimensions - in (mm)



Data Sheet: 2111

HR and HM

Specifications

Description: In-line fuse holders for SFE and ¼" dia. x various length fuses.

Dimensions: See dimensions illustration.

Ratings:

Volts: — 32V

Amps: — 20A



Features and benefits

- HR and HM Universal in-line fuse holder for SFE and various length ¼" diameter fuses with #14 lead wires.

Typical applications

- Supplemental, low voltage, low amperage control circuits

Catalog numbers

Catalog numbers	Includes fuse	Wire length and size
HRJ*	SFE-20	19" of #14
HRI	SFE-14	
HRH	SFE-9	
HRE	SFE-7½	
HRG	SFE-6	
HRF	SFE-4	
HMJ**	SFE-20	8" of #14
HMI	SFE-14	
HMH	SFE-9	
HME	SFE-7½	
HMG	SFE-6	
HMF	SFE-4	

* Also available as in-line fuse holder only with lead wire contacts, HRJ-LESS-fuse.

** Also available as in-line fuse holder only with lead wire contacts, HMJ-LESS-fuse.

HHJ-A For ¼" x 1¼" fuse, no wire or fuse included, accepts #18 - #22 wire.

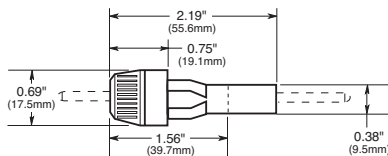
HHJ-B For ¼" x 1¼" fuse, no wire or fuse included, accepts #12 - #16 wire.

HHI-B For ¼" x 1¼" fuse, no wire or fuse included, accepts #12 - #16 wire.

Replacement contacts

Catalog number	Symbol
9838	HHJ-A
9841	HHJ-B

Dimensions - in (mm)



Data Sheet: 2122

HFA



Specifications

Description: In-line water-resistant fuse holders for ¼" x 1¼" fuses.

Dimensions: See dimensions illustration.

Ratings:

Volts: — 250V

Amps: — 20A

Refer to data sheet for recommend crimp tools

Catalog numbers

Catalog numbers	Terminals
HFA	Crimp #12 - #16
HFA-HH*	¼" quick connect

*No UL recognition.

Data Sheet: 2115

HHT



Specifications

Description: In-line fuse holders for 5 x 15mm or 5 x 20mm fuses.

Dimensions: See dimensions illustration.

Construction: Black thermoplastic body with brass contacts, wire: 16 AWG, red.

Ratings:

Volts: — 32V

Amps: — 5A (5 x 15mm)

— 10A (5 x 20mm)

Catalog numbers

Catalog number	Fuse size
HHT	5 x 15mm and 5 x 20mm

Data Sheet: 2138

HEG



Specifications

Description: Single-pole, non-breakaway, in-line fuse holders for Type SC fuses, 480V (or less).

Ratings:

Volts: — 600V

Amps: — 0-15A

Fuse size: 1³/₃₂" x 1.31"

Catalog number

HEG-AA

Optional boots:

2A0660 Single conductor
2A0661 Two conductor

Data Sheet: 2124

HEC



Specifications

Description: Single-pole, non-breakaway, in-line fuse holders for type SC-25, & SC-30 fuses, size 1³/₃₂" x 1 5/₈".

Ratings:

Volts: — 480V

Amps: — 25-30A

Catalog numbers

HEC-AA, HEC-RW-RLB-R

Optional boots:

2A0660 Single conductor
2A0661 Two conductor

Data Sheet: 2124

HEJ



Specifications

Description: Single-pole, non-breakaway, in-line fuse holders for type SC and type HVW fuses, size 1³/₃₂" x 2 1/₄".

Ratings:

Volts: — 480V

Amps: — 35-60A Type SC

— 1/2-6A type HVW

Catalog numbers

HEJ-AA, HEJ-AB, HEJ-AC, HEJ-BB, HEJ-JJ, HEJ-JK, HEJ-LL, HEJ-LLB, HEJ-CC, HEJ-DD, HEJ-WW, HEJ-PP, HEJ-QQ

Optional boots:

2A0660 Single conductor
2A0661 Two conductor

Data Sheet: 2123

HEX



Specifications

Description: Double-pole in-line fuse holders for 1³/₃₂" x 1 1/₂" fuses (typically fuse types BAF, FNM, FNQ, and KTK 1/0 - 30A).

Ratings:

Volts: — 600V

Amps: — 0-30A

Catalog numbers

HEX-AA, HEX-AB, HEX-AC, HEX-AD, HEX-AE, HEX-AW, HEX-AW-DRLC-A, HEX-AW-DRYC, HEX-AW-RLC-A, HEX-AW-RYC, HEX-AY, HEX-BB, HEX-CC, HEX-JJ, HEX-JK, HEX-JW-DRYC, HEX-KK

Data Sheet: 2126

HEH



Specifications

Description: Single-pole, non-breakaway, in-line fuse holders for 20A Type SC fuses and 1/0-20A BBS.

Ratings:

Volts: — 600V

Amps: — 0-20A

Agency information:

CSA - 15A.

Catalog numbers

HEH-AA, HEH-AD

Optional boots:

2A0660 Single conductor
2A0661 Two conductor

Data Sheet: 2124

HEZ



Specifications

Description: Waterproof (IPX7), single-pole Class CC in-line fuse holders. Holds Bussmann series fuse types: LP-CC, FNQ-R and KTK-R.

Ratings:

Volts: — 600V (or less)

Amps: — Up to 30A*

Conductors: Lineside and Loadside**

#12 to #8 Crimp terminal
#12 to #3 Setscrew terminal

*Amp rating limited by conductor size and fuse sizing when used with insulating boots

**See details in non-breakaway and breakaway specifications

Data Sheet: 2130

HEY



Specifications

Description: Double-pole in-line fuse holders for KTK-R fuses with optional break-away receptacle, polarized, and accepting Class CC branch circuit fuses (Bussmann series KTK-R, FNQ-R and LP-CC; 600V or less, 200kA IR).

Ratings:

Volts: — 600V

Amps: — 0-30A

Catalog numbers

HEY-AA, HEY-AB, HEY-AC, HEY-AD, HEY-AE, HEY-AL, HEY-AW-DRLC-A, HEY-AW-DRLC-B, HEY-AW-DRYC, HEY-BB, HEY-JJ

Data Sheet: 2126

HET



Specifications

Description: Single-pole in-line holder with a permanent solid neutral identified by white plastic coupling nut.

Catalog numbers

HET-AA, HET-AB, HET-AW, HET-AW-RLC-A, HET-AW-RLC-B, HET-AW-RLC-C, HET-AW-RLC-J, HET-AW-RYC, HET-BB, HET-BW-RLC-B, HET-BW-RYC, HET-JJ, HET-JK, HET-JW, HET-JW-RLC-J, HET-JW-RYC, HET-KK

Data Sheet: 2125

9

Fuse holders and blocks

HEB holders

Catalog Symbol: HEB*



Description:

Submersible, single-pole in-line fuse holders for UL 13/32" x 1-1/2" supplemental fuses. Available in non-breakaway and breakaway versions with an array of terminal options to meet application needs. Breakaway versions come with insulating boots to provide submersibility per UL IP67.

Non-breakaway versions require ordering optional insulating boots for submersibility.

Ratings:

Volts: 600V

Amps: up to 30 limited by conductor size

Withstand: 200kA RMS Sym.

Optional boots for non-breakaway HEB holder:

Description	Part number
Single conductor	2A0660
Dual conductor	2A0661

To order:

Specify catalog symbol HEB and the loadside terminal code plus the letter "W." Then select a lineside terminal code that is available with the loadside terminal. Example: HEB-BW-RCL-B defines a breakaway holder with a loadside copper crimp terminal for a single #6 or two #10 wires with a lineside copper crimp terminal for a single #6 or two #10 wires.

Breakaway catalog number system

HEB - A W - RYC

Catalog symbol	Loadside terminal	Lineside terminal	Agency Information		Loadside terminal		Lineside terminal		Non-breakaway equivalent
			UL	CSA	Terminal type	Wire range*	Terminal type	Wire range*	
HEB	A	RLC-A	X	X	Cu crimp	#8-16; (2) #12-16	Cu crimp	#8-16; (2) #12-16	HEB-AA
		RLC-B	—	—	Cu crimp	#8-16; (2) #12-16	Cu crimp	#6; (2) #10	HEB-AB
		RLC-C	—	—	Cu crimp	#8-16; (2) #12-16	Cu crimp	#4 str; (2) #8	HEB-AC
		RLC-J	X	—	Cu crimp	#8-16; (2) #12-16	Cu setscrew	#3-8	HEB-AJ
		RYC	X	—	Cu crimp	#8-16; (2) #12-16	Cu setscrew	(2) #2-12	HEB-AK
		RLA	—	—	Cu crimp	#8-16; (2) #12-16	Al setscrew	#2-12	HEB-AL
		RYA	—	—	Cu crimp	#8-16; (2) #12-16	Al setscrew	(2) #2-12	HEB-AY
		RLC-A	—	—	Cu crimp	#6; (2) #10	Cu crimp	#8-16; (2) #12-16	HEB-BA
	B	RLC-B	—	—	Cu crimp	#6; (2) #10	Cu crimp	6#; (2) #10	HEB-BB
		RYC	—	—	Cu crimp	#6; (2) #10	Cu setscrew	(2) #2-12	—
	J	RLC-J	—	—	Cu setscrew	#3-8	Cu setscrew	#3-8	HEB-JJ
		RYC	—	—	Cu setscrew	#3-8	Cu setscrew	(2) #2-12	HEB-JK
	K	RLC-J	X	—	Cu setscrew	#2-12 [†]	Cu setscrew	#3-8	—
		RYC	X	—	Cu setscrew	#2-12 [†]	Cu setscrew	#2-12 [†]	—
L	RLA	—	—	Al setscrew	#2-12	Al setscrew	#2-12	HEB-LL	
	RLC-J	—	—	Al setscrew	#2-12	Cu setscrew	#3-8	—	
	RYA	—	—	Al setscrew	#2-12	Al setscrew	#2-12 [†]	—	

* Solid/stranded conductors unless otherwise noted.

† Not dual wire rated. One wire per opening.

Data Sheet: 2127

To order:

Specify catalog symbol HEB and the loadside terminal code. Then select a lineside terminal code that is available with the loadside terminal.

Example: HEB-BB defines a non-breakaway holder with a loadside copper crimp terminal for a single #6 or two #10 wires with a lineside copper crimp terminal for a single #6 or two #10 wires.

Non-breakaway catalog number system

HEB - A A

Catalog symbol	Loadside terminal	Lineside terminal	Agency Information		Loadside terminal		Lineside terminal		Breakaway equivalent
			UL	CSA	Terminal type	Wire range*	Terminal type	Wire range*	
A	A		X	X	Cu crimp	#8-16; (2) #12-16	Cu crimp	#8-16; (2) #12-16	HEB-AW-RLC-A
	B		X	X	Cu crimp	#8-16; (2) #12-16	Cu crimp	#6; (2) #10	HEB-AW-RLC-B
	C		—	X	Cu crimp	#8-16; (2) #12-16	Cu crimp	#4 str; (2) #8	HEB-AW-RLC-C
	D		—	X	Cu crimp	#8-16; (2) #12-16	Cu crimp	#2 str; (2) #6	—
	J		—	—	Cu crimp	#8-16; (2) #12-16	Cu setscrew	#3-8	HEB-AW-RLC-J
	K		—	—	Cu crimp	#8-16; (2) #12-16	Cu setscrew	#2-12 [†]	HEB-AW-RYC
	R		—	—	Cu crimp	#8-16; (2) #12-16	Al crimp	#1-2	—
	L		—	—	Cu crimp	#8-16; (2) #12-16	Al setscrew	#2-12	HEB-AW-RLA
	W		—	—	Cu crimp	#8-16; (2) #12-16	Cu solid	—	—
	Y		—	—	Cu crimp	#8-16; (2) #12-16	Al setscrew	#2-12 [†]	HEB-AW-RYA
B	A		—	X	Cu crimp	#6; (2) #10	Cu crimp	#8-16; (2) #12-16	HEB-BW-RLC-A
	B		X	X	Cu crimp	#6; (2) #10	Cu crimp	#6; (2) #10	HEB-BW-RLC-B
	C		—	X	Cu crimp	#6; (2) #10	Cu crimp	#4 str; (2) #8	—
	D		—	X	Cu crimp	#6; (2) #10	Cu crimp	#2 str; (2) #6	—
	W		—	—	Cu crimp	#6; (2) #10	Cu solid	—	—
HEB	C		—	X	Cu crimp	#4 str; (2) #8	Cu crimp	#4 str; (2) #8	—
	D		—	X	Cu crimp	#2 str; (2) #6	Cu crimp	#2 str; (2) #6	—
	Z		—	—	Cu crimp	#18-20	Cu crimp	#8-16; (2) #12-16	—
	J		X	—	Cu setscrew	#3-8	Cu setscrew	#3-8	HEB-JW-RLC-J
	K		—	—	Cu setscrew	#3-8	Cu setscrew	#2-12 [†]	HEB-JW-RYC
	L		—	—	Cu setscrew	#3-8	Al setscrew	#2-12	—
	W		—	—	Cu setscrew	#3-8	Cu solid	—	—
	Y		—	—	Cu setscrew	#3-8	Al setscrew	#2-12 [†]	—
	L	L	—	—	Al setscrew	#2-12	Al setscrew	#2-12	HEB-LW-RLA
	N	N	—	—	Al crimp	6 sol; 8 str	Al crimp	#6 sol; #8 str	—
P	P	—	X	Al crimp	4 sol; 6 str	Al crimp	#4 sol; #6 str	—	
Q	Q	—	X	Al crimp	#2 sol; #3-4 str	Al crimp	#2 sol; #3-4 str	—	
R	R	—	X	Al crimp	#1-2 str	Al crimp	#1-2 str	—	
T	T	—	X	Al crimp	1/0 str	Al crimp	1/0 str	—	
W	W	—	—	Cu solid	—	Cu solid	—	—	

* Solid/stranded conductors unless otherwise noted.

† Not dual wire rated. One wire per opening.

9

Fuse holders and blocks

Panel mounted fuse holders for 5 x 20mm fuses

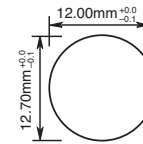
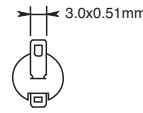
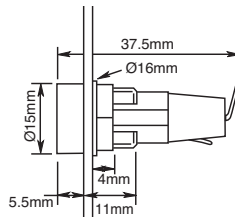
HTC-35M

Ratings:

Volts: — 250Vac

Amps: — 10A UL, 10A VDE

Fuse access: Threaded cap



Data Sheet: 2110

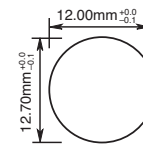
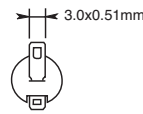
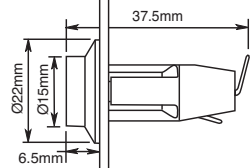
HTC-40M

Ratings:

Volts: — 250Vac

Amps: — 10A UL, 10A VDE

Fuse access: Screwdriver slot



Data Sheet: 2110

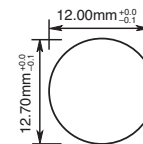
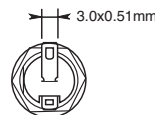
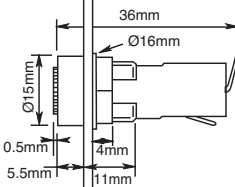
HTC-55M

Ratings:

Volts: — 250Vac

Amps: — 10A UL, 10A VDE

Fuse carrier: Bayonet type



Data Sheet: 2110

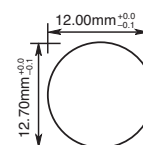
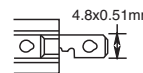
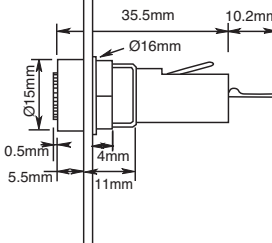
HTC-70M

Ratings:

Volts: — 250Vac

Amps: — 10A UL, 10A VDE

Fuse carrier: Bayonet type



Data Sheet: 2110

Specifications

Terminals: Tin-plated brass.

Molded materials: High temperature thermoplastic that meets the flammability ratings of UL 94V0; glow wire test: 960°C per IEC 60695-2-1.

Solderability: In accordance with IEC 68-2-20.

Agency information: cURus, VDE

Electrical: Contact resistance: ≤ 10 megohm; insulation resistance: ≥ 10MΩ; dielectric strength ≥ 2000Vac.

Shock safety: PC2 (fuse holders).

Packaging: Standard qty 10 (No Prefix), bulk qty 100 (prefix catalog number with BK/).

Panel mounted fuse holders for 1/4" x 1 1/4" fuses

HKP, HKP-L, HKP-W



Specifications

Description: Standard fuse holders.

Dimensions: See dimensions illustration.

Ratings:

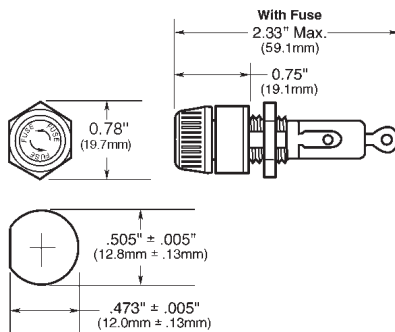
Volts: — 250V

Amps: — 30A

Catalog numbers

Catalog numbers	Fuse description
HKP	—
HKP-L	HKP w/ 2250V stand-off barrier
HKP-W	HKP w/ drip-proof knob

Dimensions - in (mm)



Data Sheet: 2106

HKP-BBHH, HKP-HH and HKP-LW-HH



Specifications

Description: Fuse holders with 1/4" quick-connects.

Dimensions: See dimensions illustration.

Ratings:

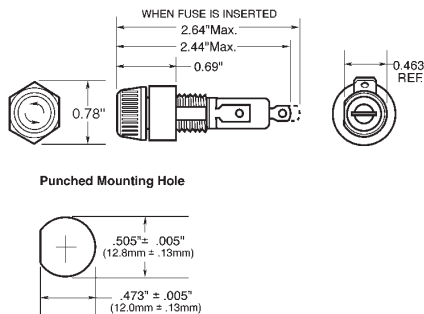
Volts: — 250V

Amps: — 15A

Catalog numbers

Catalog numbers	Fuse description
HKP-BBHH	HKP w/ 1/4" quick-connects, nut and washer assembled.
HKP-HH	HKP w/ 1/4" quick-connect.
HKP-LW-HH	HKP w/ drip-proof knob, 2250V stand-off barrier and 1/4" quick-connects.

Dimensions - in (mm)



Data Sheet: 2106

HKP-OO



Specifications

Description: Snap-lock fuse holders.

Dimensions: See dimensions illustration.

Ratings:

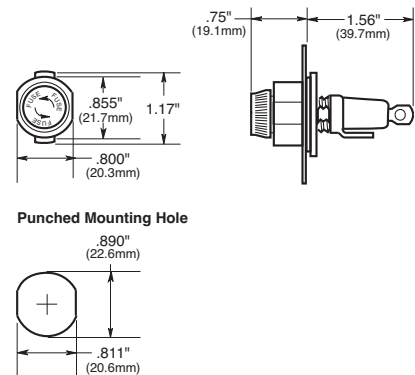
Volts: — 250V

Amps: — 30A

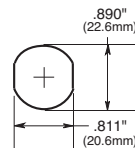
Catalog numbers

Catalog number	Fuse description
HKP-OO	HKP with snap-lock

Dimensions - in (mm)



Punched Mounting Hole



Data Sheet: 2106

Specifications

Terminals: Bayonet-type knob.
Vibration resistant.

Agency information: CE (HKP, HKP-L, HKP-W, HKP-OO), UL Recognized — Guide IZLT2, File E14853, CSA Certified — Class 6225-01, File 47235

Replacement Parts: Cap: 9435-1/2
Plastic nut: BK/1A4287 (100 pieces minimum)
Metal nut: BK/1A4806-2 (100 pieces minimum)
Washer: 9732

9

Fuse holders and blocks

Panel mounted fuse holders for 5 x 20mm and 1/4" x 1 1/4" fuses

HTB

Specifications

Description: Fuse holders with knob-type carriers.

Dimensions: See dimensions illustrations.

Construction: High temperature, flame retardant thermoplastic; UL Component Recognized; UL 94V0; mounting nut, spacer-black polycarbonate. Terminals: tin-plated brass.

Electrical data: Insulation resistance (per IEC #257) — 10,000 ohms @ 500Vdc; contact resistance (per IEC #257) — 0.005 ohms Max @ 1A; standoff voltage (per IEC #257) — 480V/Mil @ 0.125" thickness.

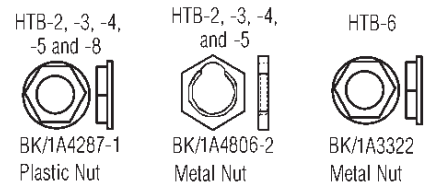
Agency information: CE, UL Recognized — Guide IZLT2, File E14853, 1/4" dia fuse @ 20A, 5mm dia fuse @ 16A @ 250V, CSA — 16A @ 250V Class 6225-01 File 47235; VDE Certified: 136128, HTB-XXM, SEMKO Certification: Ref. #0146149/01, HTB-XXM.

Mounting: Withstands 15 to 20 Lb-In torque to mounting nut when mounting fuse holder to panel.

Environmental: Operating temperature range -55°C to 85°C.



Replacement parts



Dimensional data - in (mm)

Knob type carrier	Maximum panel thickness	Terminal options				Carrier options	
		Solder/ 3/16" quick-connect		1/4" quick-connect		1/4" x 1 1/4" ("I" equals inches)	5 x 20mm ("M" equals metric)
		In-line	Rt. angle	In-line	Rt. angle	Knob	Knob
Common dimensions: Length (knob type) - 1.69" (42.9mm) plus in-line terminal NOTE: Plus in-line terminal	0.30"						
	7.62mm	HTB-22I-R	HTB-24I-R	HTB-26I-R	HTB-28I-R	X	X
		HTB-22M-R	HTB-24M-R	HTB-26M-R	HTB-28M-R		X
	0.125"	HTB-42I-R	HTB-44I-R	HTB-46I-R	HTB-48I-R	X	
	3.18mm	HTB-42M-R	HTB-44M-R	HTB-46M-R	HTB-48M-R		X
	0.30"	HTB-62I-R	HTB-64I-R	HTB-66I-R	HTB-68I-R	X	
	7.62mm	HTB-62M-R	HTB-64M-R	HTB-66M-R	HTB-68M-R		X
	0.125"	HTB-82I-R	HTB-84I-R	HTB-86I-R	HTB-88I-R	X	
	3.18mm	HTB-82M-R	HTB-84M-R	HTB-86M-R	HTB-88M-R		X

Fuse holders and fuse carriers may be ordered separately.

Data Sheet: 2119

Fuse holders and blocks

Panel mounted fuse holders for 5 x 20mm and 1/4" x 1 1/4" fuses

HTB



Dimensional data - in (mm)

Screwdriver type carrier	Maximum panel thickness	Terminal options				Carrier options	
		Solder/ 3/16" quick-connect		1/4" quick-connect		1/2" x 1 1/4" ("I" equals inches) Screwdriver	5 x 20mm ("M" equals metric) Screwdriver
		In-line	Rt. angle	In-line	Rt. angle		
		Common dimensions: (Screwdriver slotted) 1.75" (44.5mm) NOTE: plus in-line terminal					
 HTB-3	0.30"	HTB-32I-R	HTB-34I-R	HTB-36I-R	HTB-38I-R	X	
	7.62mm	HTB-32M-R	HTB-34M-R	HTB-36M-R	HTB-38M-R		X
 HTB-5	0.125"	HTB-52I-R	HTB-54I-R	HTB-56I-R	HTB-58I-R	X	
	3.18mm	HTB-52M-R	HTB-54M-R	HTB-56M-R	HTB-58M-R		X
 HTB-9	0.125"	HTB-92I-R	HTB-94I-R	HTB-96I-R	HTB-98I-R	X	
	3.18mm	HTB-92M-R	HTB-94M-R	HTB-96M-R	HTB-98M-R		X

Catalog number build-a-code

	HTB-						
Packing blank (Std.) – 10 fuse holders in a carton BK – 100 fuse holders in a cardboard shelf package	Product symbol	Fuse carrier I — 1/4" x 1 1/4" M — 5 x 20mm	S P	Splash Proof Cap with o-ring (optional on knob holders only)	Fuse carrier only		
Body configuration and mounting Knob holders 2 — Low profile (rear panel hex-nut) 4 — High profile 6 — (Front panel hex-nut) 8 — Low profile (snap-in) Screwdriver slotted holders 3 — Low profile 5 — High profile 9 — Low profile (snap-in)	Rear terminal configuration 2 — Solder / 3/16" quick-connect (in-line) 4 — Solder / 3/16" quick-connect (right angle) 6 — 1/4" quick-connect (in-line) 8 — 1/4" quick-connect (right angle)	-R RoHS compliant	Packaging (blank) – Std. BK/ – Bulk	Product symbol FT — knob t type (For 20, 40, 60, and 80 only) ST — Screwdriver Slotted (For 30, 50, and 90 only)	Fuse carrier I — 1/4" x 1 1/4" M — 5 x 20mm		

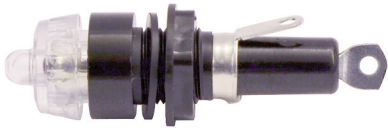
*Profile varies with panel thickness. Holder installs through rear of panel.

9

Fuse holders and blocks

Panel mounted fuse holders for indicating type fuses

HLD



Specifications

Description: Pin indicating for 1/4" x 1 1/4" fuses.

Dimensions: See dimensions illustration.

Ratings:

Volts: — 250V

Amps: — 15A

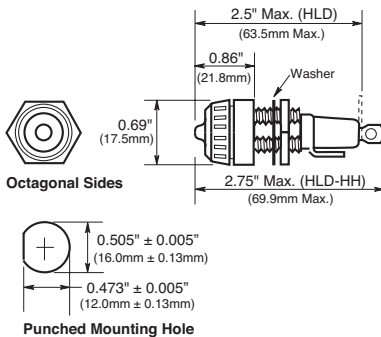
Agency information: CE, UL Recognized, File E14853, Guide IZLT2.

Catalog numbers

Catalog numbers*	Terminals
HLD	Solder terminals
HLD-HH	1/2" quick-connect terminals

*Use w/GBA, GLD Fuses.

Dimensions - in (mm)



Data Sheet: 2120

HJL



Specifications

Description: Neon lamp indicating for 1/4" x 1" fuses.

Dimensions: See dimensions illustration.

Ratings:

Volts: — 250V

Amps: — 15A

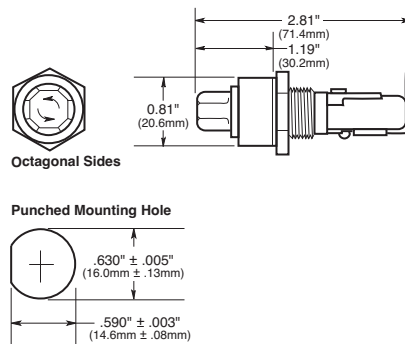
Agency information: None

Catalog number

Catalog number*	Volts	Lamp color	Knob type
HJL	90 to 250	Clear	Oct

*Use with AGX or MKB fuses, for panels up to 1/8" thick.

Dimensions - in (mm)



Octagonal Sides

Punched Mounting Hole

Data Sheet: 2121

HK



Specifications

Description: Neon and incandescent lamp indicating for 1/4" x 1 1/4" fuses

Dimensions: See dimensions illustration.

Ratings:

Volts: — 250V

Amps: — 15A (HKL, HKL-X)

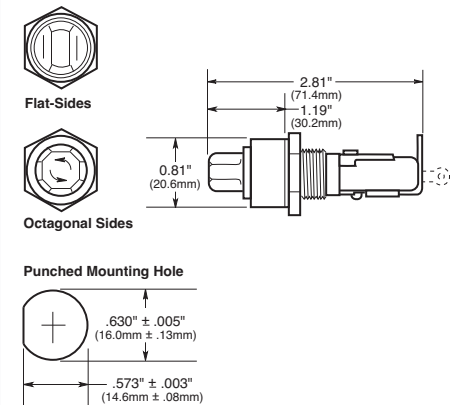
— 20A (HKR, HKT, HKU, HKX)

Agency information: CE, UL Recognized, (Guide IZLT2, File E14853), CSA Certified (Class 6225-01, File 47235).

Catalog numbers

Catalog numbers	Lamp volts	Knob color/type
HKL*	90-250	Clear/Oct
HKL-X*	90-250	Clear/FS
HKR**	22-30	Amber/Oct
HKT**	13-22	Amber/Oct
HKU**	4-6	Red/Oct
HKX**	22-33	Amber/FS

* Neon lamp — UL Recognized and CSA Certified.
** Incandescent lamp.



Flat-Sides

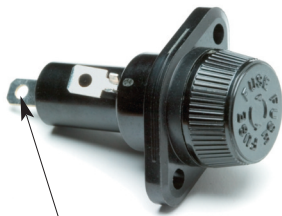
Octagonal Sides

Punched Mounting Hole

Data Sheet: 2105

Panel mounted fuse holders for 13/32" x 1 5/16" to 1 1/2" fuses

HPF



#10 wire max
for solder connection

Specifications

Description: Standard fuse holders with **screw-type knob** for 13/32" x 1 5/16" to 1 1/2" fuses.

Dimensions: See dimensions illustration.

Agency information: CE, UL Recognized, Guide IZLT2, File E14853; CSA Certified, Class 6225-01, File 47235.

Flammability rating: UL 94HB.

Terminals: Combination 1/4" quick-connect/solder terminals.

Catalog numbers

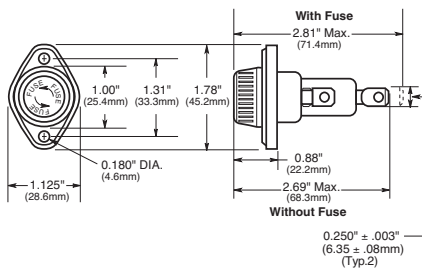
Catalog numbers	Amp ratings	Volts AC	Fuse description
HPF	30 ²	600	1 1/2" (38.1mm)
HPF-C	30 ²	600 ³	1 1/2" (38.1mm) clear knob.
HPF-L	5	600	BBS, 13/32" x 1 5/16" fuses.
HPF-EE	15	600	SC 0-15, 13/32" x 1 5/16" fuses.
HPF-JJ	20	600	SC 20, 13/32" x 1 5/16" fuses.
HPF-FF ¹	30 ²	480	SC 25 & 30, 13/32" x 1 5/16" fuses.
HPF-RR	30 ²	600	KTK-R, LP-CC & FNQ-R Class CC fuses.
HPF-WT	30 ²	600	Splash-proof knob. 13/32" x 1 5/16" (38.1mm)

¹ No CSA Certification

² 20A max when used with quick-connect terminals.

³ HPF-C ratings for CSA-15A, 250V

Dimensions - in (mm)



Data Sheet: 2114

HPS



Specifications

Description: Standard fuse holders with **bayonet-type knob** for 13/32" x 1 5/16" to 1 1/2" fuses.

Dimensions: See dimensions illustration.

Agency information: CE, UL Recognized, Guide IZLT2, File E14853; CSA Certified, Class 6225-01, File 47235.

Flammability rating: UL 94HB.

Terminals: Combination 1/4" quick-connect/solder terminals.

Catalog numbers

Catalog symbol	Amp ratings	Volts AC	Fuse description
HPS	30 ²⁻³	600	13/32" x 1 1/2"
HPS-L	5	600	BBS, 13/32" x 1 5/16" fuses.
HPS-EE*	15	600	SC 0-15, 13/32" x 1 5/16" fuses.
HPS-JJ*	20	600	SC 20, 13/32" x 1 5/16" fuses.
HPS-F-EE ¹	15	600	Sleeve on body, leaded for 13/32" x 1 5/16" fuses.
HPS-FF ^{1*}	30 ²	480	SC 25 & 30, 13/32" x 1 5/16" fuses.
HPS-RR ^{1*}	30 ²	600	KTK-R, LP-CC, FNQ-R Class CC fuses.

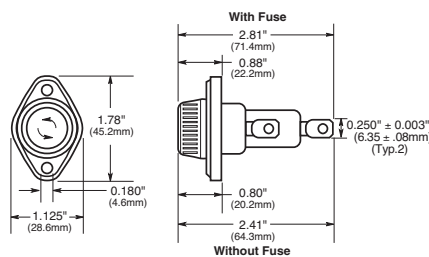
*-EE, -JJ, -FF and -RR versions are UL Recognized for applications requiring branch circuit protection.

¹ No CSA Certification

² 20A max when used with quick-connect terminals.

³ HPS rated at 250V for CSA

Dimensions - in (mm)



Data Sheet: 2113

HPG



HPD



Specifications

Description: Standard fuse holders with **bayonet-type knob** for 13/32" x 1 1/2" fuses.

Dimensions: See dimensions illustrations.

Agency information: CE, UL Recognized, (Guide IZLT2, File E14853).

Flammability rating: UL 94V0 - fuse holder body UL 94HB - Knob.

Catalog numbers

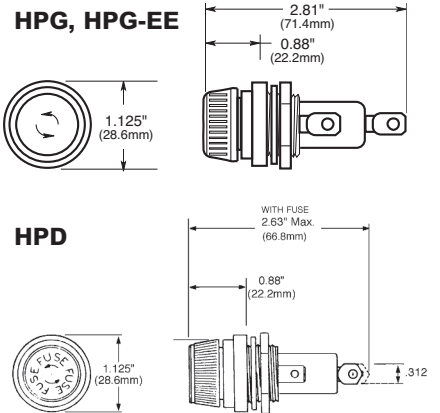
Catalog numbers	Amp ratings	Volts AC	Fuse description
HPG*	30 ¹	600	13/32" x 1 1/2" fuses
HPG-EE*	15	600	SC 0-15, 13/32" x 1 5/16" fuses.
HPD**	30 ¹	600	13/32" x 1 1/2" fuses

¹ 20A max when used with quick-connect terminals.

*HPG and HPG-EE has combination 1/4" quick-connect/solder terminals on both side (load) and rear (line) terminals.

**HPD has combination 1/4" quick-connect/solder terminal on side (load) terminal only. Rear (line) terminal is 3/16" shorter than HPG. Rear terminal solder only.

Dimensions - in (mm)



Data Sheet: 2108

9

Fuse holders and blocks

Panel mounted fuse holders for 13/32" x 1 1/2" fuses

HPM



Specifications

Description: Standard fuse holder with **screw-type knob** for 13/32" x 1 1/2" fuses.

Dimensions: See dimensions illustration.

Ratings:

Volts: — 600Vac/dc

Amps: — 30A¹

¹ 20A max when used with quick-connect terminals.

Agency information: CE, UL Recognized, Guide IZLT2, File E14853; CSA Certified, Class 6225-01, File 47235.

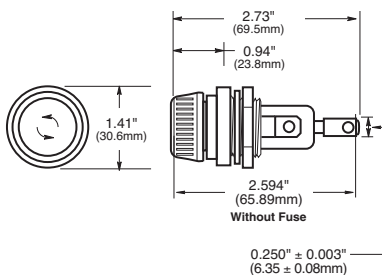
Flammability rating: UL 94HB.

Catalog numbers

Catalog numbers	Description
HPM	1/4" quick-connect/solder
HPM-D	Splash-resistant knob ²

² HPM-D has 1/4" quick-connect/solder terminal on rear (load) terminal only. The side (line) terminal is 1/4" quick-connect only.

Dimensions - in (mm)



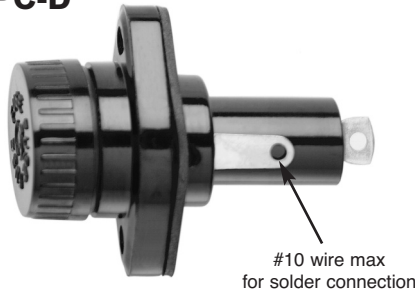
Nut torque: 30 lb-in.

Replacement knob:

Catalog number: BK/9789-Y2
(50 pieces)

Data Sheet: 2112

HPC-D



Specifications

Description: Fuse holder with **screw-type knob** for 13/32" x 1 1/2" fuses. Supplied with O-ring and panel gasket.

Dimensions: See dimensions illustration.

Ratings:

Volts: — 600Vac/dc

Amps: — 30A¹

¹ 20A max when used with quick-connect terminals.

Agency information: CE, UL Recognized, Guide IZLT2, File E14853.

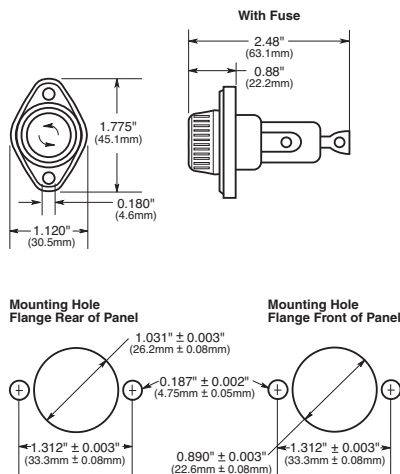
Flammability rating: UL 94HB.

Catalog numbers

Catalog number	Description
HPC-D	Mount in panels up to 1/4" thick.

Replacement knob - BK/9987SA

Dimensions - in (mm)



Data Sheet: 2109

HPS2



Specifications

Description: For fuse size 13/32" x 1 1/2", meeting UL 1598 requirement that both poles be removed simultaneously.

Dimensions: See dimensions illustration.

Ratings:

Volts: — 600V@30A

Amps: — 0-30A¹

¹ 20A max when used with quick-connect terminals.

Agency information: UL 4248 recognized, (Guide IZLT2, File E14853), CSA certified: (Class 6225-01, File 47235).

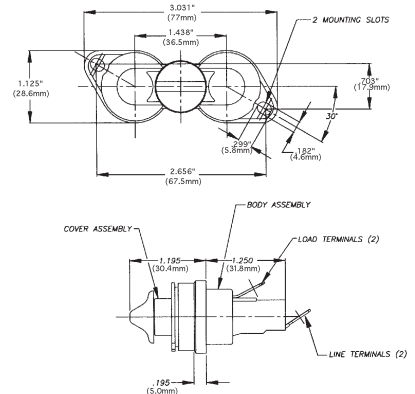
Flammability rating: UL 94V0.

Terminals: 1/4" quick-connect/solder.

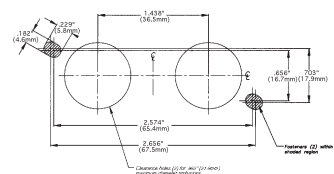
Catalog numbers

Catalog numbers	Description
HPS2	Standard 10-in carton
BK/HPS2	Bulk 100-in carton

Dimensions - in (mm)

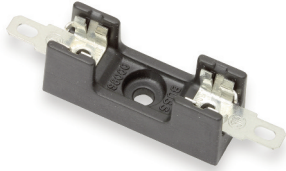


Panel mount hole dimensions



Data Sheet: 2140

8000



Specifications

Description: Bolt-in and snap-in mounting for 1/4" x 1 1/4" fuses.

Construction: Blocks are molded flame retardant thermoplastic. Clips are bright tin-plated, spring-bronze.

Ratings:

Volts: — 300V

Amps: — 25A (See catalog numbers table)

Agency information: CE, UL Recognized ; File E14853, Guide IZLT2, CSA Certified Class 6225-01, File 47235.

Anti-rotation pin: Single-pole blocks may be ordered without the anti-rotational pin simply by adding an "X" to the number of poles (Example: BK/S-8000-1X).

Carton quantity: 10; shelf package: 100.

Bulk carton: Single-pole and 2-pole fuse blocks – 1,000; Multiple-pole fuse blocks – 3- to 8-pole: 200; 9- to 12-pole: 50. When ordering bulk quantities, prefix "BK/" to catalog number: (Example: BK/S-8001-1-SNP).

Catalog numbers

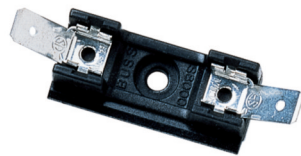
Bolt-in mounting

Basic catalog numbers	Series	Terminal	Angle	Agency maximums	Poles (suffix)
S-8001-	8000	Solder	0°	UL 30A	1 - 12
S-8002-			40°	CSA 21A	
S-8101-	8100	3/16" Quick connect	0°	UL 20A	
S-8102-			40°	CSA 13A	
S-8201-	8200	1/4" Quick connect side	0°	UL 30A	
S-8202-			40°	CSA 16A	
S-8203-					
S-8301-	8300	Screw	—	UL 30A CSA 25A	

Snap-in mounting

Catalog numbers	Series	Terminal	Angle	Agency maximums	Poles (suffix)
S-8001-1-SNP	8000	Solder	0°	UL 25A	Available only in single pole
S-8002-1-SNP			40°	CSA 21A	
S-8101-1-SNP	8100	3/16" Quick connect	0°	UL 20A	
S-8102-1-SNP			40°	CSA 13A	
S-8201-1-SNP	8200	1/4" Quick connect	0°	UL 20A	
S-8203-1-SNP			Side	CSA 16A	

Catalog number build-a-code



Catalog Code

BK/ S-8 0 00 -00

Prefix for Bulk Packing
 Series 8000—Product Line
 Type Terminal: "0" - Solder, "1" - 3/16" Quick Connect, "2" - 1/4" Quick Connect, "3" - Screw
 Terminal Angle: "01" - straight (0), "02" - 40, "03" - side
 Number of Poles (1-12)
 *Available only in single pole

Data Sheet: 2101

Single-pole fuse blocks

Specifications

Description: Single-pole fuse block for 1/4" x 1 1/4" (6.4 x 31.8mm) size fuses.

Dimensions: See dimensions illustrations.

Construction: Bakelite base width 1/2" (12.7mm); spring-bronze, bright tin-lead plate clips.

Ratings:

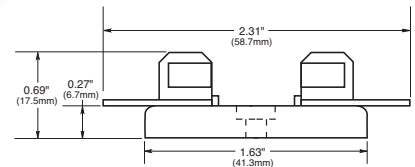
Volts: — 250V

Amps: — 30A



4405 - 0° solder terminals with integral terminal and clip

Dimensions - in (mm)

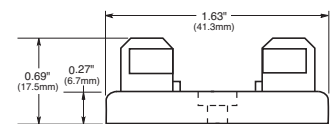


4406 - Side solder terminal



4574 - Spare fuse block

Dimensions - in (mm)

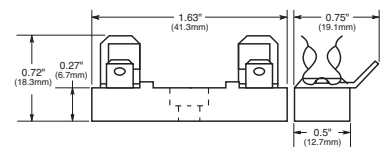


2499 - Side quick-connect

Agency information: UL Recognized, Guide IZLT2, File E14853

Terminals: 1/4" (6.4mm); 15A, 250V

Dimensions - in (mm)



Note: Mounting screw hole diameter is 0.147" (3.7mm). Counterbore diameter, 0.636" (8.0mm). Max mounting screw no. 6.

9

Fuse holders and blocks

Fuse blocks for 1/4" x 1" fuses

3828



Specifications

Description: Fuse block for 1/4" x 1" (6.4 x 25.4mm) fuses with solder terminals.

Dimensions: See dimensions illustration.

Ratings:

Volts: — 250V

Amps: — 30A

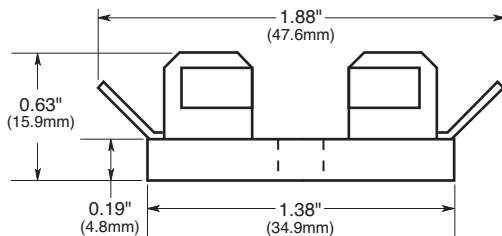
Mounting: Mounting screw hole diameter is 0.147" (3.7mm), diameter. Max mounting screw no. 6.

Catalog numbers

Catalog numbers	Poles	*Base Length - in (mm)
3828-1	1	1/2 (12.7)
3828-2	2	1 1/8 (28.6)
3828-3	3	1 3/4 (44.5)
3828-4	4	2 3/8 (60.3)
3828-5	5	3 (76.2)
3828-6	6	3 3/8 (92.1)
3828-7	7	4 1/4 (108.0)
3828-8	8	4 7/8 (123.8)
3828-10	10	6 1/4 (155.6)
3828-12	12	7 3/4 (187.3)

*Small phenolic base, base width 1 3/8" (34.9mm)

Dimensions - in (mm)



4520 and 4393



Specifications

Description: Single-pole fuse block for 1/4" x 1" fuses.

Dimensions: See dimensions illustrations.

Construction: Bakelite with 1/2" (12.7mm) width base. Spring-bronze, bright tin-lead plated clips.

Ratings:

Volts: — 250V

Amps: — 30A

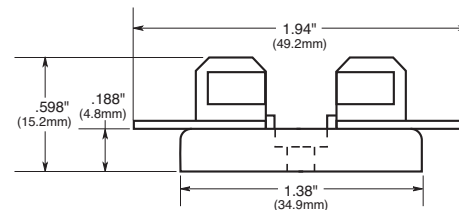
Mounting: Mounting screw hole diameter is 0.147" (3.7mm), counterbore 0.636" (8.0mm) diameter. Max mounting screw no. 6.

Catalog numbers

Catalog Numbers	Description
4520	Integral clip and straight solder terminals
4393	Spare fuse block

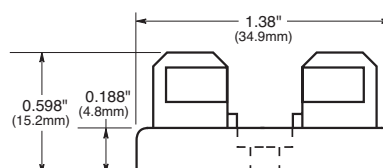
No. 4520 - Integral clip and straight solder terminals

Dimensions - in (mm)

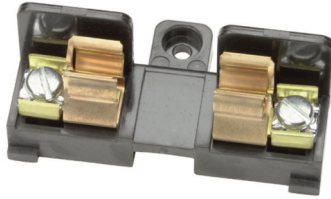


No. 4393 - Spare fuse block

Dimensions - in (mm)



3743



Specifications

Description: Add-on fuse blocks for 13/32" X 1 1/2" (10.3 X 38.1mm) fuses. Single pole blocks lock into each other and can be added at any time. Each has a single end barrier.

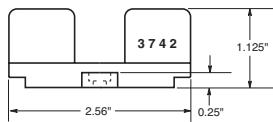
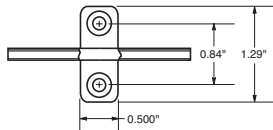
Dimensions: See dimensions illustration.

Ratings:

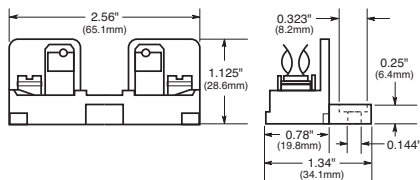
Volts: — 600Vac/dc

Amps: — 30A

Agency information: CE, UL
Recognized Guide IZLT2, File E14853.



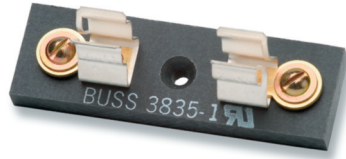
3742—End barrier only



3723—Block and end barrier marking strip. Length is 9 3/8" (23.8cm).

Note: Mounting screw hole is 0.147" (3.7mm) dia. Counterbore, 0.636" (8mm) dia. Max. mounting screw no. 6.

3835



Specifications

Description: Multiple pole fuse blocks for 13/32" X 1 1/2" (10.3 X 38.1mm) fuses.

Dimensions: See dimensions illustration.

Ratings:

Volts: — 250Vac/dc

Amps: — 30A

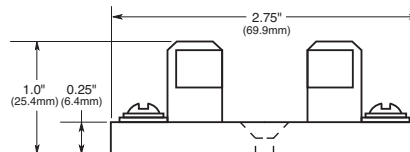
Agency information: CE

Catalog numbers

Catalog numbers	Poles	Base* width in (mm)
3835-1	1	2 7/32 (21.4)
3835-2	2	1 13/16 (46.0)
3835-3	3	2 29/32 (70.6)
3835-4	4	3 3/4 (95.2)
3835-5	5	4 29/32 (119.9)
3835-6	6	5 11/16 (144.5)
3835-7	7	6 21/32 (169.0)
3835-8	8	7 3/8 (193.7)
3835-9	9	8 13/16 (218.8)
3835-10	10	9 3/8 (242.9)
3835-12	12	11 1/2 (292.1)

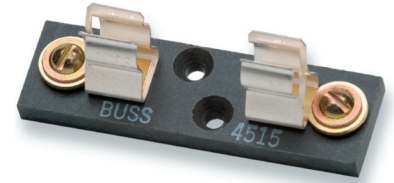
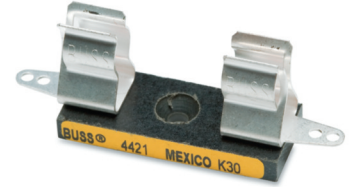
*Base length: 2 3/4" (69.9mm)

Dimensions - in (mm)



Note: Mounting screw hole diameter is 0.148" (3.7mm). Countersink, 0.313" (7.9mm). Max. mounting screw no. 6.

4421 and 4515



Specifications

Description: Single pole fuse blocks for 13/32" X 1 1/2" (10.3 X 38.1mm) fuses.

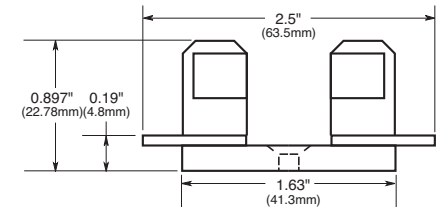
Dimensions: See dimensions illustration.

Ratings:

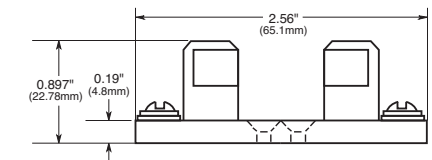
Volts: — 250Vac/dc (or less)

Amps: — 30A

Agency information: CE



4421—Solder terminals Base width 5/8" (15.9mm)



4515—Screw terminals Base width 3/4" (19mm)

Note: Mounting screw hole diameter is 0.147" (3.7mm). Countersink, 0.312" (7.9mm). Max. mounting screw no. 6.

NDNF1-WH

Specifications

Description: Fuse holding rail mount terminal block.

Circuit jumper: JF1, 2 circuits

Fuse size: 1/2" X 1 1/2" (KTK, FNQ, PVM).

Poles: 1

Wire range: AWG #8-22 Cu.

Ratings:

Volts: — 600V

Amps: — 30A

Mounting options: 35mm DIN-Rail, C-rail

Fuse pullers: • PF1 (standard)
• LPF1 (lighted neon or incandescent bulb)

Torque rating: 18 lb-in

Operating temperature: 105°C

Catalog numbers

Catalog

number	Color
NDNF1-WH	White

Lighted neon or incandescent lamp:

Catalog

numbers	Voltage
LPF1-24	24
LPF1-120	120
LPF1-120-C	120
LPF1-220	220
LPF1-440	440



NDNLF1-WH

Specifications

Description: Rail mount fuse holder.

Circuit jumper: JF1, 2 circuits.

Fuse Size: 1/4" X 1 1/2" (Bussmann series AGC, MDL or equivalent).

Poles: 1

Wire range: AWG #8-22 Cu.

Ratings:

Volts: — 600V

Amps: — 30A (NDND1 non-fused)

— 15A (NDNFD1, 600V/CSA, fused)

— 15A (NDNLF1*fused, indicating)

*WH24 - 24V White, WH-90Vdc-600Vdc, 115Vac-600Vac White

Agency information: CE

Mounting options: 35mm DIN-Rail, C-rail

Marking tape: MT12-1-2

Torque rating: 18 lb-in

Operating temperature: 105°C

Agency information: CSA File 15364

Catalog numbers

Catalog

number	Color	Indicator
NDND1-WH	White	NO
NDNFD1-WH	White	NO
NDNLF1-WH	White	90Vdc-600Vdc 115Vac-600Vac
NDNLF1-WH 24	White	24V

