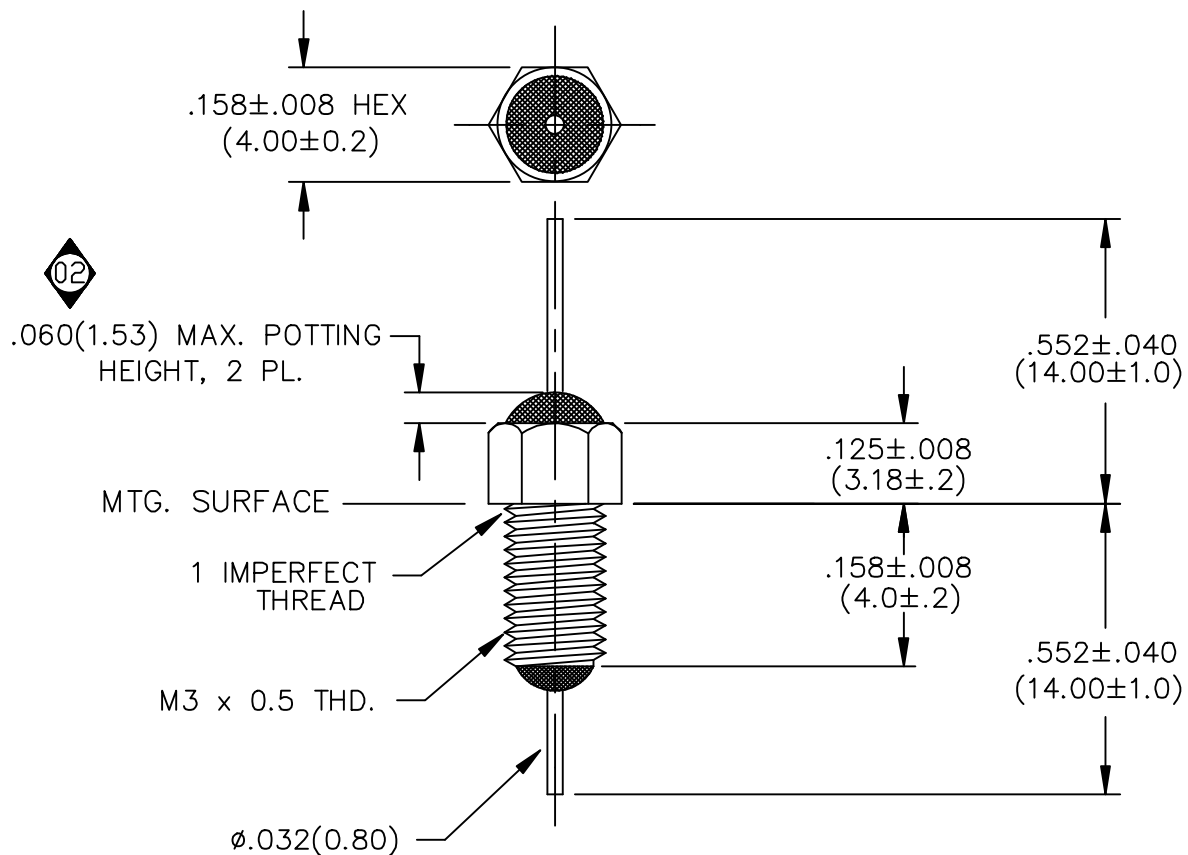


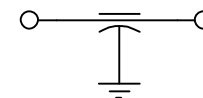
NOTES:

1. HARDWARE IS NOT INCLUDED.




LEAD FINISH:	SILVER PL.
BUSHING FINISH:	SILVER PL.
CAPACITANCE	10,000pF
TEMP. RANGE	-55°C TO 125°C
CURRENT	10 AMP MAX.
WORKING VOLTAGE	100 VDC MAX.
D.C. RESISTANCE	.01ohms MAX.
DIELECTRIC WITHSTANDING VOLTAGE	250 VDC

SCHEMATIC



MARKING:

PART: S863004  
 BAG:  
 54-863-004  
 DATE CODE  
 LOT NO.  
 QTY/BAG (200 MAX.)

				REV. NO.	TOLERANCES UNLESS OTHERWISE SPECIFIED	 ERIE, FAIRVIEW PENNSYLVANIA SPECTRUM CONTROL INC.
				CHANGE NOTICE	Fractions ± 1/64	
					Dec. .xx±	
					Dec. .xxx±.010	
					Angles ±0° 30'	
					CODE IDENT. NO. DLSP2	Dwn. KRDZALIC Ckd. 11/13/00 Apvd. Scale NONE
						Description FT RESIN SEAL FILTER 54-863-004