

C. Westoby 11-30-90
APPROVED/DATE

0
REV

SAFETY ORGANIZATION(S):

THIS FILTER HAS BEEN FORMALLY RECOGNIZED, CERTIFIED OR APPROVED BY THE LISTED AGENCY. THEREFORE, ALL TEST/REQUIREMENTS SPECIFIED IN THE LATEST REVISION OF THE FOLLOWING AGENCY STANDARDS HAVE BEEN MET:

UL RECOGNIZED
CSA CERTIFIED (PENDING)
VDE APPROVED (PENDING)

UL 1283
CSA 22.2, NO. 0, 0.4, 8
VDE 565-3

OPERATING SPECIFICATIONS:

LINE VOLTAGE/CURRENT:
6 AMP., 120/250 VAC
6 AMP./40°C, 250 VAC
50-60Hz

LINE FREQUENCY:

MAX. LEAKAGE CURRENT, EACH
LINE TO GROUND
.50 mA @ 120V 60 Hz
.83 mA @ 250V 50 Hz

OPERATING AMBIENT TEMP. RANGE:

IN AN AMBIENT, T_a , HIGHER THAN 40°C, THE MAXIMUM OPERATING CURRENT, I_o , IS AS FOLLOWS:

$$I_o = I_r \sqrt{\frac{85 - T_a}{45}}$$

RELIABILITY SPECIFICATIONS:

STORAGE TEMPERATURE:
-40°C TO +85°C

HUMIDITY:

21 DAYS @ 40°C 95% RH

CURRENT OVERLOAD TEST:

6 TIMES RATED CURRENT FOR 8 SECONDS

TEST SPECIFICATIONS:

INDUCTANCE:
.516 mH NOMINAL

CAPACITANCE: (MEASURED @ 1 KHZ, 0.25 VAC MAX., 25°C ±1°C)

LINE TO GROUND:
.0055µF ±20%

LINE TO LINE:
1.08µF ±20%

DISCHARGE RESISTOR
330KΩ

LINE/GROUND AND LINE/LINE
6000 MΩ (MIN) AT 100 VDC

INSULATION RESISTANCE
20°C AND 50% RH

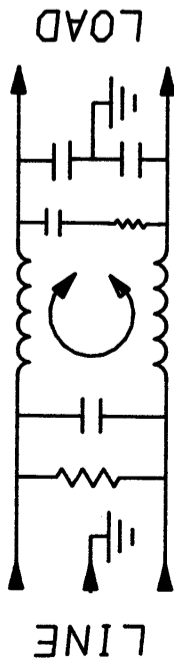
RECOMMENDED RECEIVING INSPECTION HIPOT:

LINES TO GROUND:
2250 VDC FOR 1 MINUTE

LINE TO LINE:
1450 VDC FOR 1 MINUTE

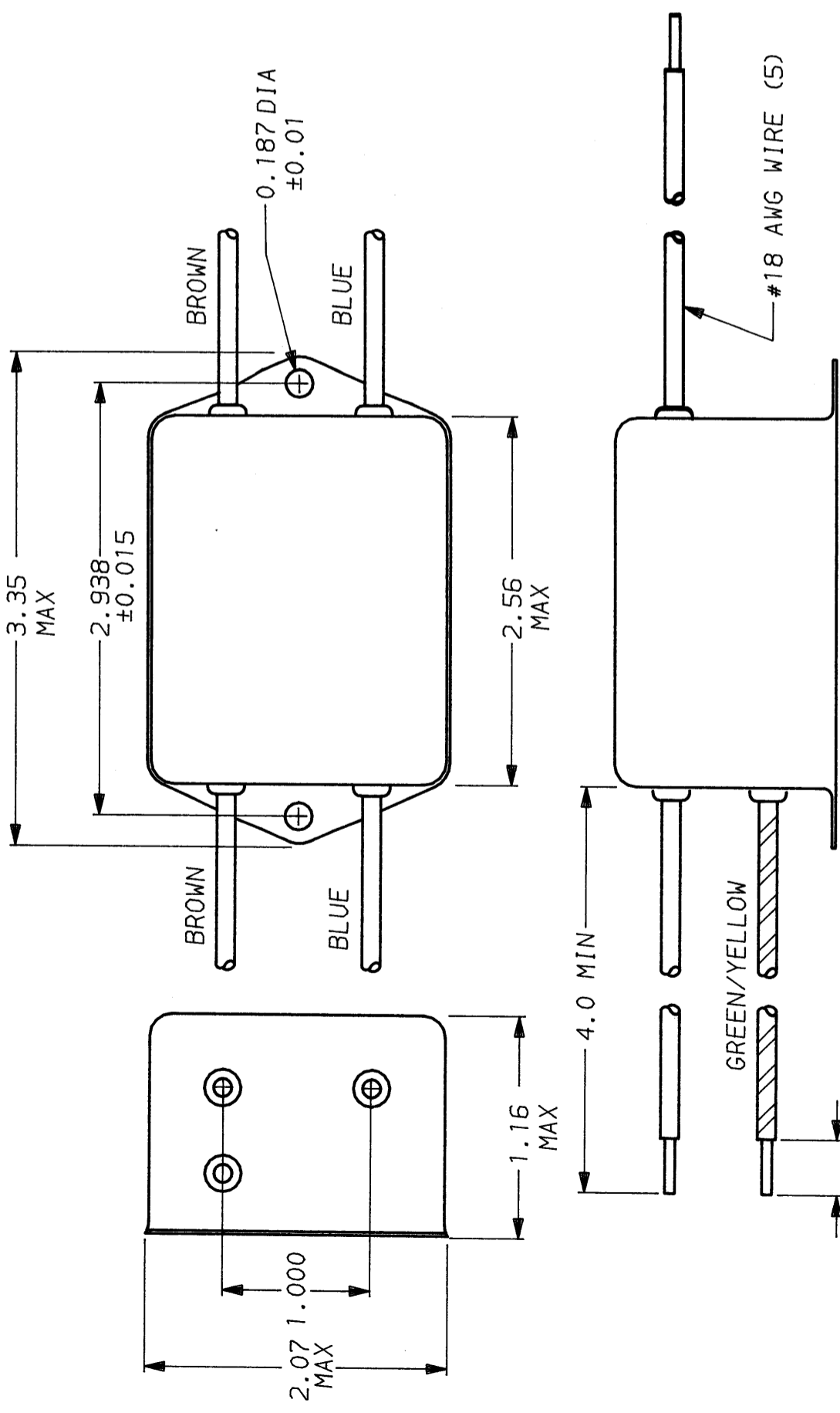
FILTER APPROVAL:

THE BEST WAY TO SELECT AND QUALIFY A FILTER IS FOR YOUR ENGINEERING TO TEST THE UNIT IN YOUR EQUIPMENT.



FREQUENCY MHz	50Ω - 50Ω (MINIMUM) INSERTION LOSS							
	.15	.5	1	2	5	10	20	30
COMMON dB	10	22	31	38	45	50	52	52
DIFF. dB	20	49	60	60	65	61	61	61

This document is proprietary to CORCOM INC. and is not to be reproduced nor used for manufacturing purposes except on CORCOM's order or prior written consent.



CORCOM
LIBERTYVILLE, IL 60048

POWER LINE FILTER

SCALE: NTS
DATE: 11-5-90
DRG. NO.: 6VDK3.00
ORIGINATOR: CFW
REV.: CFW

TOLERANCE EXCEPT AS NOTED
DECIMAL: .XXX .XX .X ANGLES ± 1°
ENGLISH: ±.025
METRIC: ±
MATERIAL: AS SUPPLIED
FINISH: AS SUPPLIED