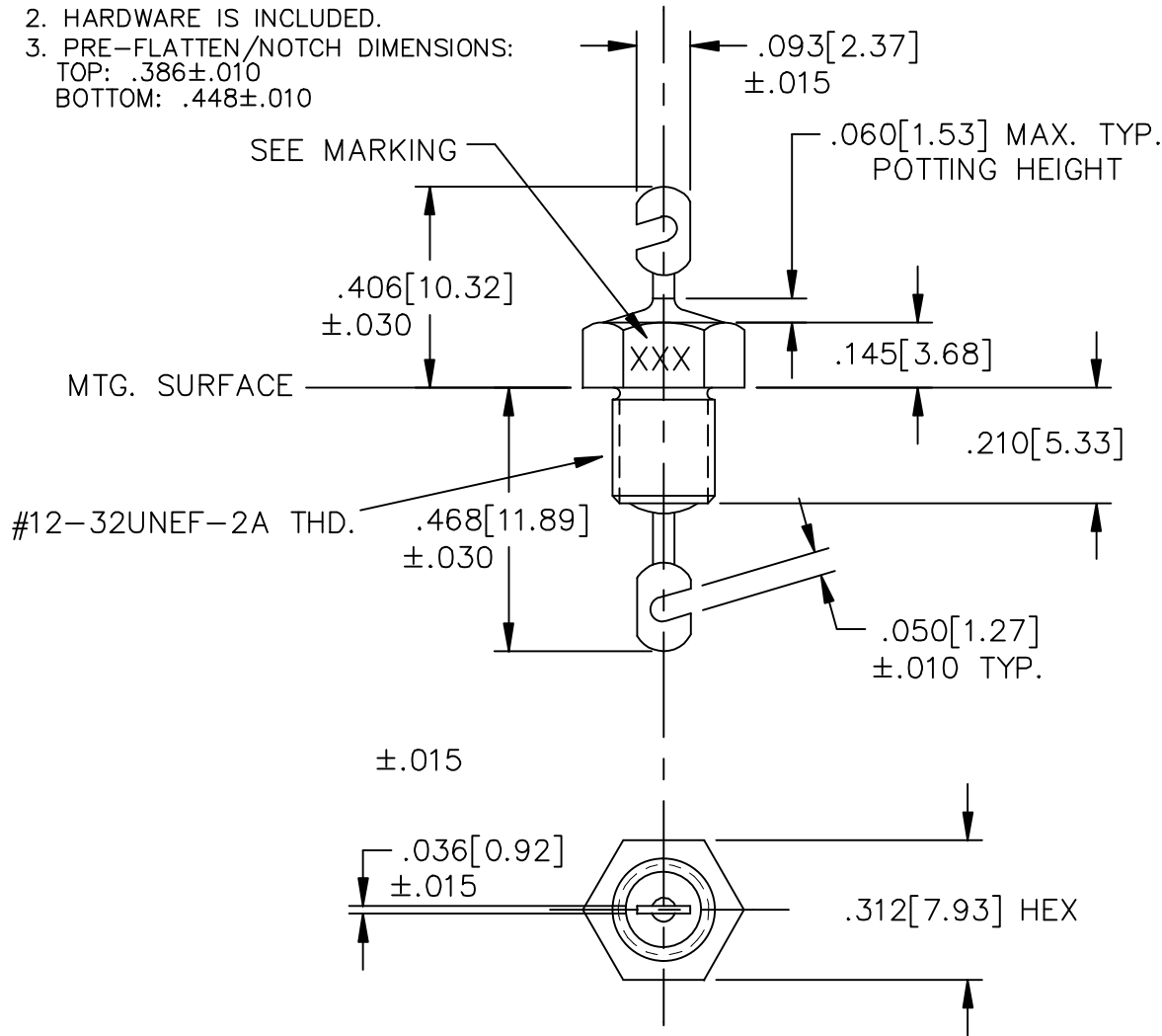
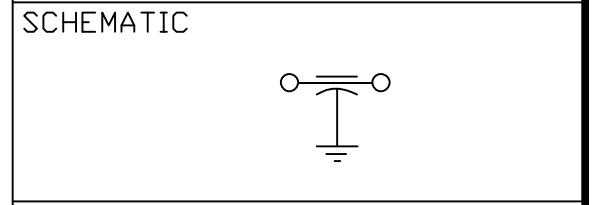


NOTES:

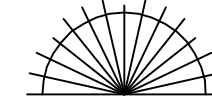
1. SUGGESTED MOUNTING HOLE =  $\phi$  .228
2. HARDWARE IS INCLUDED.
3. PRE-FLATTEN/NOTCH DIMENSIONS:  
TOP:  $.386 \pm .010$   
BOTTOM:  $.448 \pm .010$



LEAD FINISH: SOLDER	
BUSHING FINISH: SILVER	
CAPACITANCE	1000pF +100/-0%
TEMP. RANGE	-55°C TO 125°C
CURRENT	10 AMP MAX.
WORKING VOLTAGE	85°C VDC MAX. 125°C 250 VDC MAX.
D.C. RESISTANCE	.01ohms MAX.
MIN. I.L. PER MIL-STD-220 AT 25°C NO LOAD	
FREQ. MHz	I.L. (db)
1	N/A
10	N/A
100	N/A
1 GHz	N/A
10 GHz	N/A



MARKING:  
PART: 102P  
BAG: SCI 54-804-002-X5V-102P  
LOT NUMBER  
DATE CODE  
QTY/BAG (200 MAX.)

	02	01	00	REV. NO.	TOLERANCES UNLESS OTHERWISE SPECIFIED	 ERIE, FAIRVIEW PENNSYLVANIA SPECTRUM CONTROL INC.
	CN. 211897 REDRAWN	CN. 197051	CN. 185168	CHANGE NOTICE	Fractions $\pm 1/64$ Dec. $.xx \pm$ Dec. $.xxx \pm .015$ Angles $\pm 0^\circ 30'$	
					CODE IDENT. NO. DLSP2	Description FT CERAMIC FILTER 54804002X5V102P
						Engr. R.Struchen Scale NONE