

CEU3E2X7R1H153K080AE

TDK Item Description : CEU3E2X7R1H153KT**S

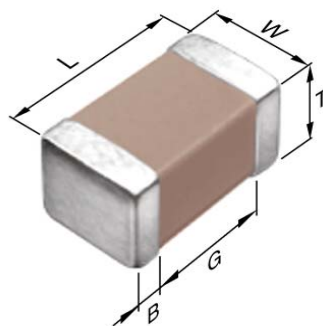


Application & Main Feature

Automotive Grade (Serial Design)

Series

CEU3(1608) [EIA CC0603]



Dimensions

L 1.60mm +0.2,-0.1mm
 W 0.80mm +0.15,-0.1mm
 T 0.80mm +0.15,-0.1mm
 B 0.20mm Min.
 G 0.30mm Min.

Temperature Characteristic

X7R (-55 to 125 degC +/-15%)

Rated Voltage

1H (50Vdc)

Capacitance

15nF

Capacitance Tolerance

K (+/-10%)

Dissipation Factor

3% Max.

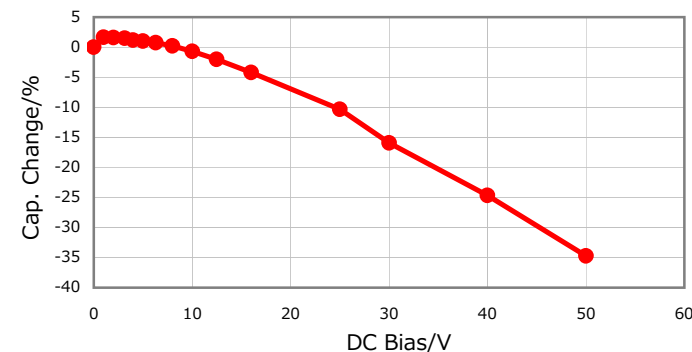
Insulation Resistance

10Gohm Min.

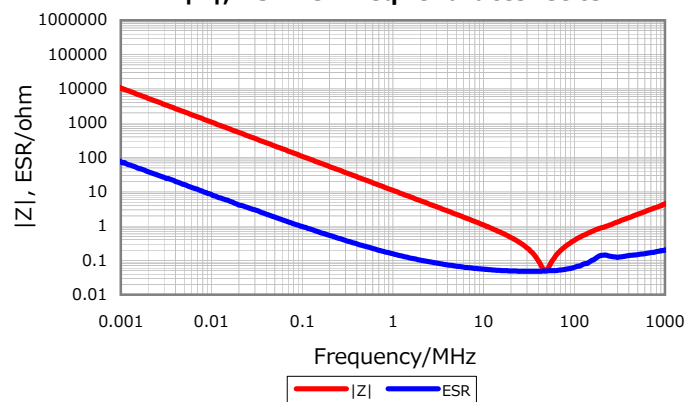
AEC-Q200

Yes

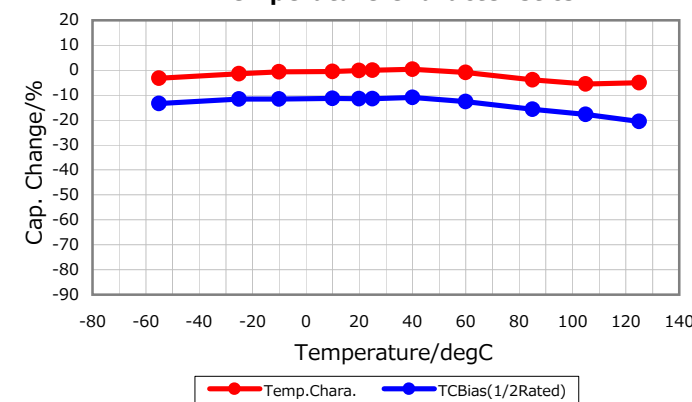
DC Bias Characteristic



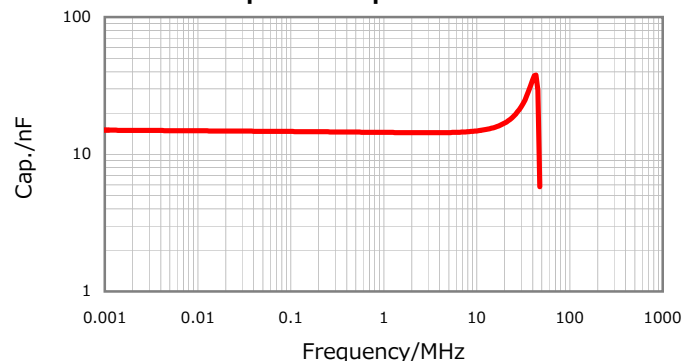
|Z|, ESR vs. Freq. Characteristics



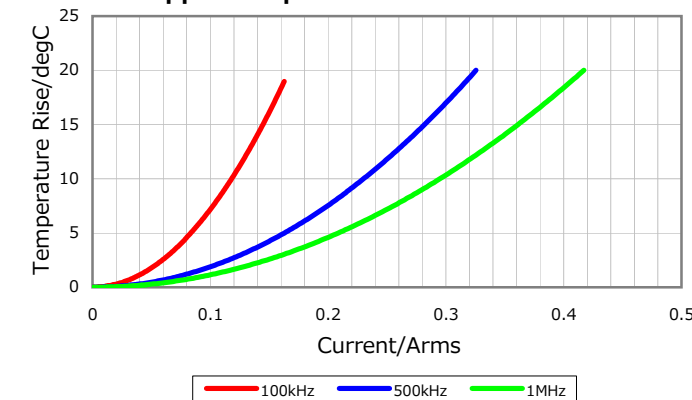
Temperature Characteristics



Cap. vs. Freq. Characteristic



Ripple Temperature Rise Characteristics



Characterization Sheet (Multilayer Ceramic Chip Capacitors)



All specifications are subject to change without notice.

January 4, 2016