

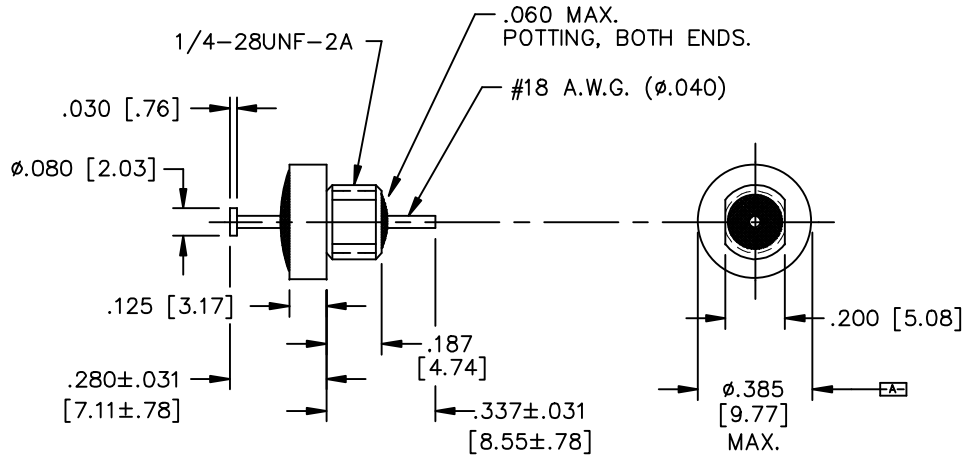
CASE FINISH	CURRENT (AMPS)	WORKING VOLTAGE				MAXIMUM DC RESISTANCE (OHMS)	MAXIMUM VOLTAGE DROP		MINIMUM CAPACITANCE (uF)	MIN. INSERTION LOSS PER MIL-STD-220, FULL LOAD, +25°C												
		-55°C TO +85°C		-55°C TO +125°C			DC	AC		14 KHz	30 KHz	50 KHz	75 KHz	100 KHz	150 KHz	300 KHz	500 KHz	1 MHz	10 MHz	100 MHz	1 GHz	10 GHz
		AC	DC	AC	DC					---	15	---	---	---	28	34	---	44	60	70	70	---
SILVER	15	---	80	---	50	0.005	0.075	---	1.4	---	15	---	---	---	28	34	---	44	60	70	70	---

PART MARKING:

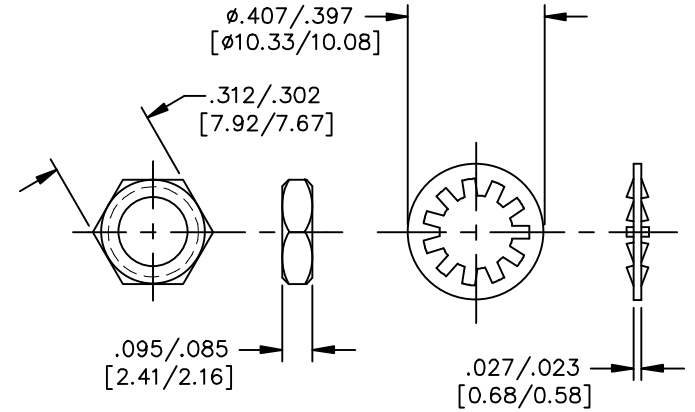
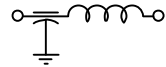
9050-100-0000
SCI DATE CODE

PACKAGE MARKING:

BUBBLE PACK:
9050-100-0000
SCI DATE CODE
LOT NO.
QTY.



SCHEMATIC




MTG. HARDWARE

MARKING NOTES:

N/A

NOTES:

1) MOUNTING TORQUE NOT TO EXCEED 7in-lbs.

																08	07	REV. NO.	UNLESS OTHERWISE SPECIFIED DIMENSIONS ARE IN INCHES. [MILLIMETERS] DO NOT SCALE.	TOLERANCES UNLESS OTHERWISE SPECIFIED	 SPECTRUM CONTROL INC. ERIE, FAIRVIEW PENNSYLVANIA	Description Low Pass EMI Filter
																CN. 201809	CN. 176660	CHANGE NOTICE		Fractions ±		
																Dec. .xx±	Dwn. KAUFFMAN					
																Dec. .xxx± .010	Ckd. 5-23-01					
																Angles ±0° 30'	CODE IDENT. NO. DLSP2	Sheet 1 of 1	9050-100-0000			