

# CGA4J2X8R2A223M125AA

TDK Item Description : CGA4J2X8R2A223MT\*\*\*\*



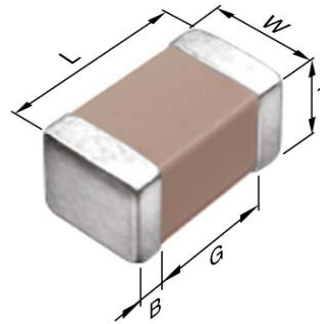
Equivalent C2012X8R2A223M for Automotive

## Application & Main Feature

Automotive Grade ( High Temperature Application )

## Series

CGA4(2012) [EIA CC0805]



## Dimensions

L 2.00mm +/-0.2mm  
 W 1.25mm +/-0.2mm  
 T 1.25mm +/-0.2mm  
 B 0.20mm Min.  
 G 0.50mm Min.

## Temperature Characteristic

X8R (-55 to 150 degC +/-15%)

## Rated Voltage

2A (100Vdc)

## Capacitance

22nF

## Capacitance Tolerance

M (+/-20%)

## Dissipation Factor

3% Max.

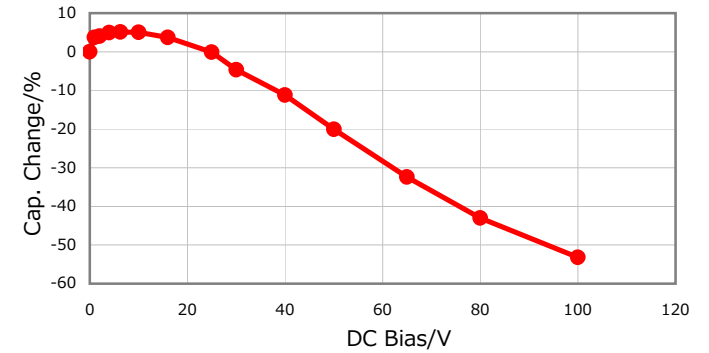
## Insulation Resistance

10Gohm Min.

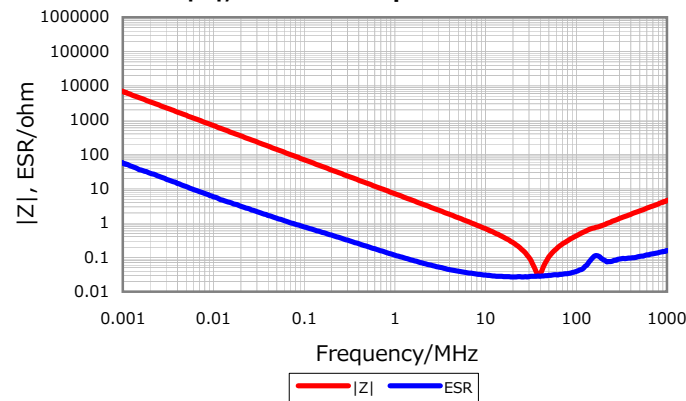
## AEC-Q200

Yes

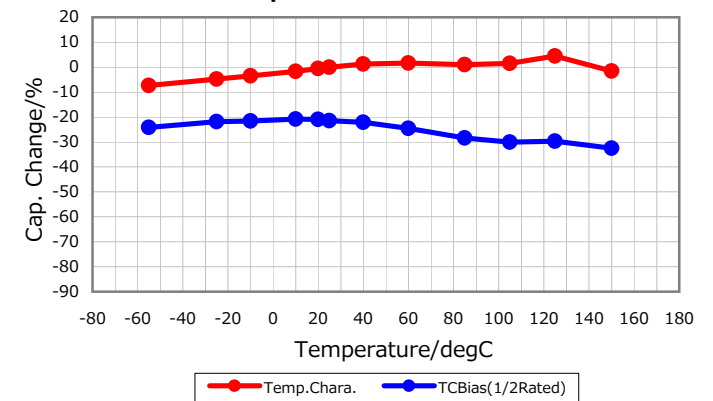
## DC Bias Characteristic



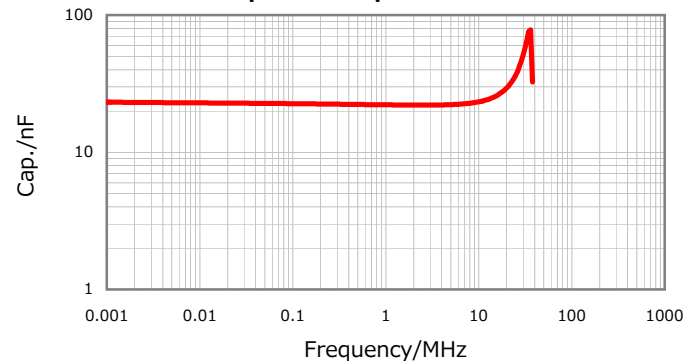
## |Z|, ESR vs. Freq. Characteristics



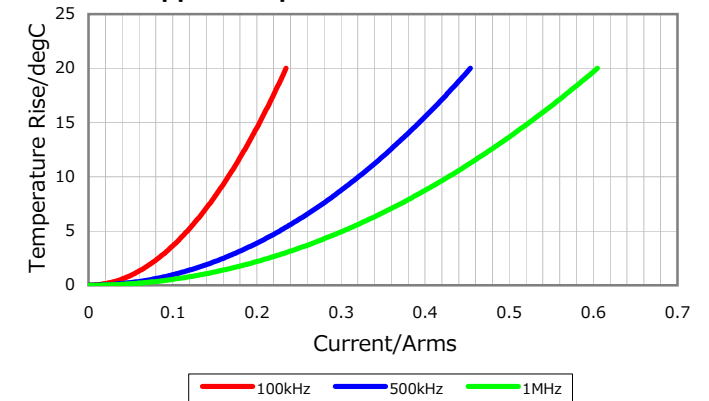
## Temperature Characteristics



## Cap. vs. Freq. Characteristic



## Ripple Temperature Rise Characteristics



Characterization Sheet ( Multilayer Ceramic Chip Capacitors )



All specifications are subject to change without notice.

January 4, 2016