

CGA5F2X8R1E334K085AD

TDK Item Description : CGA5F2X8R1E334KT***B



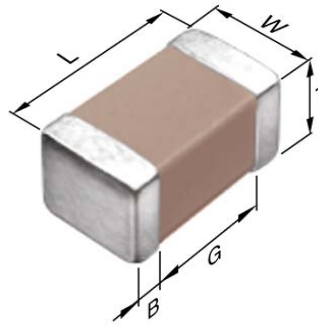
Equivalent C3216X8R1E334K for Automotive

Application & Main Feature

Automotive Grade (Conductive Epoxy Application)

Series

CGA5(3216) [EIA CC1206]



Dimensions

L 3.20mm +0.3,-0.1mm
 W 1.60mm +0.3,-0.1mm
 T 0.85mm +/-0.15mm
 B 0.20mm Min.
 G 1.00mm Min.

Temperature Characteristic

X8R (-55 to 150 degC +/-15%)

Rated Voltage

1E (25Vdc)

Capacitance

330nF

Capacitance Tolerance

K (+/-10%)

Dissipation Factor

3% Max.

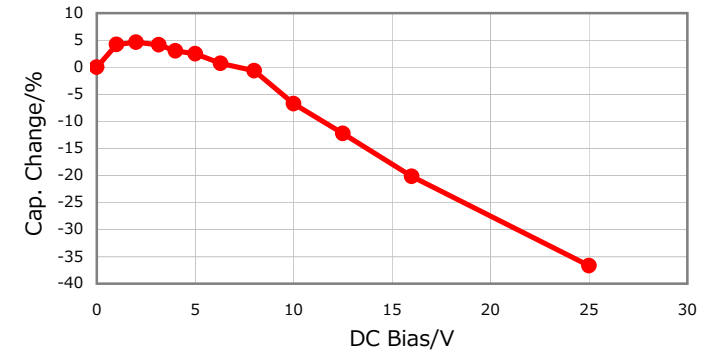
Insulation Resistance

1.52Gohm Min.

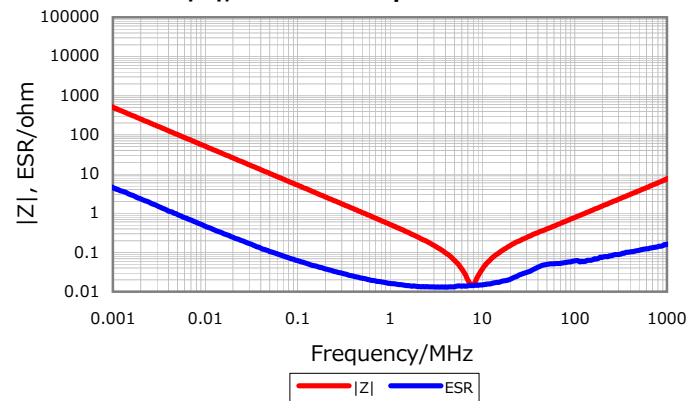
AEC-Q200

Yes

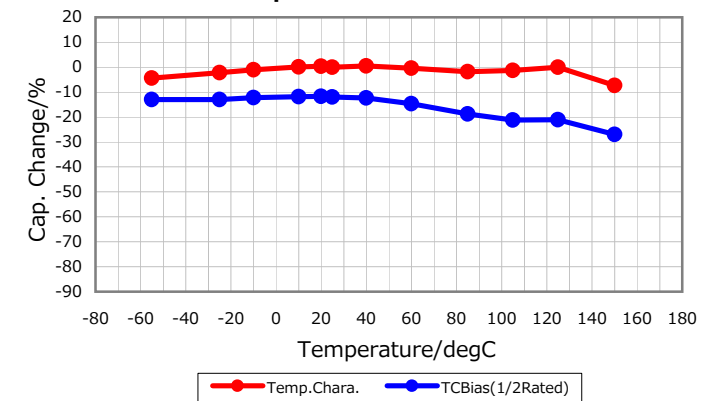
DC Bias Characteristic



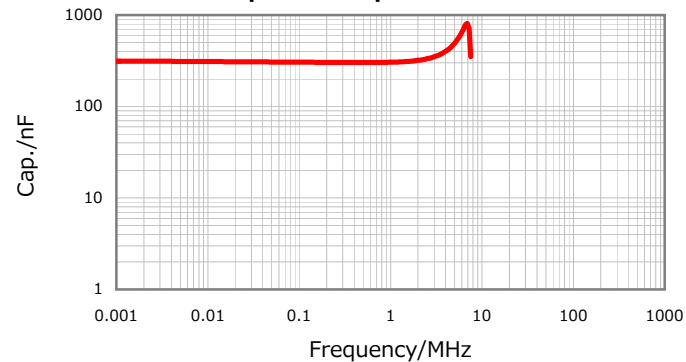
|Z|, ESR vs. Freq. Characteristics



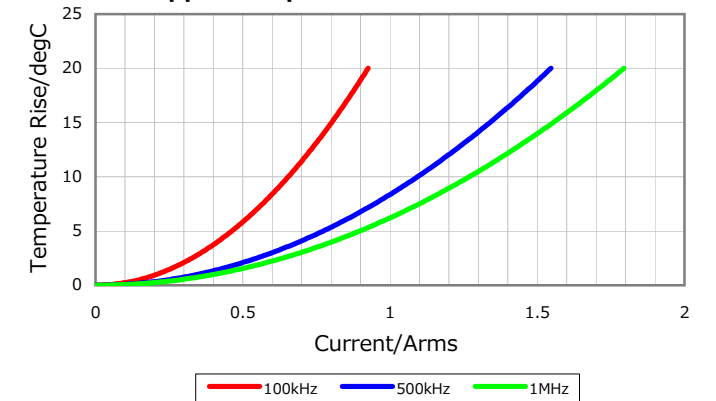
Temperature Characteristics



Cap. vs. Freq. Characteristic



Ripple Temperature Rise Characteristics



Characterization Sheet (Multilayer Ceramic Chip Capacitors)



All specifications are subject to change without notice.

January 4, 2016