

CGJ6M3X7T2D334K200AA

TDK Item Description : CGJ6M3X7T2D334KT****

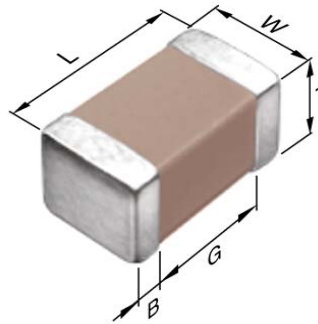


Application & Main Feature

High Reliability Grade (Mid Voltage (100 to 630V))

Series

CGJ6(3225) [EIA CC1210]



Dimensions

L 3.20mm +/-0.4mm
 W 2.50mm +/-0.3mm
 T 2.00mm +/-0.2mm
 B 0.20mm Min.
 G

Temperature Characteristic

X7T (-55 to 125 degC +22,-33%)

Rated Voltage

2D (200Vdc)

Capacitance

330nF

Capacitance Tolerance

K (+/-10%)

Dissipation Factor

2.5% Max.

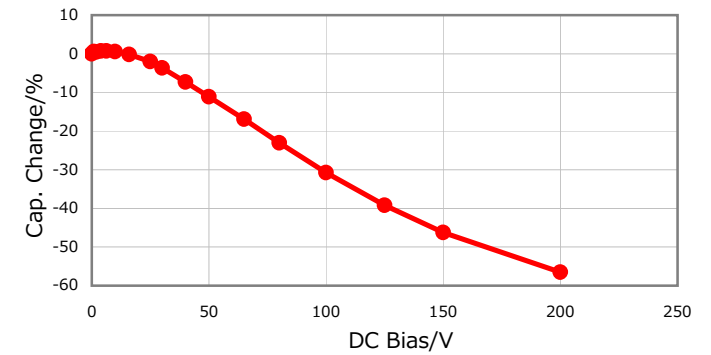
Insulation Resistance

1.52Gohm Min.

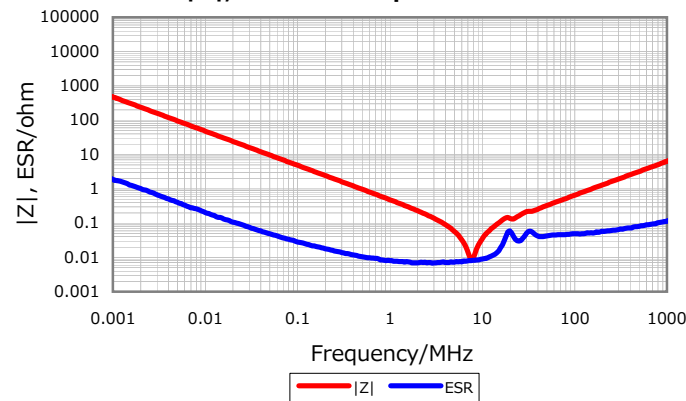
AEC-Q200

Yes

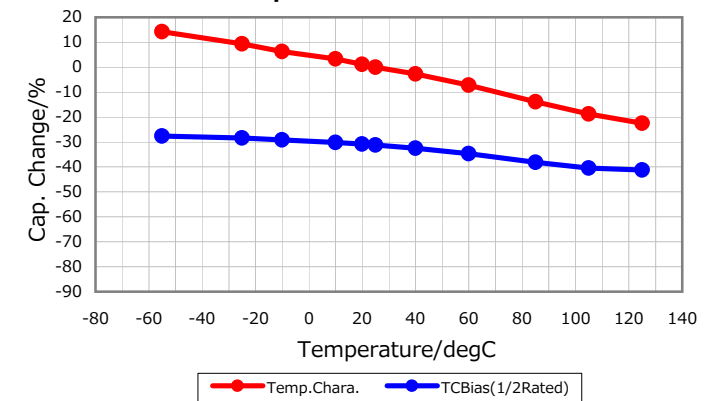
DC Bias Characteristic



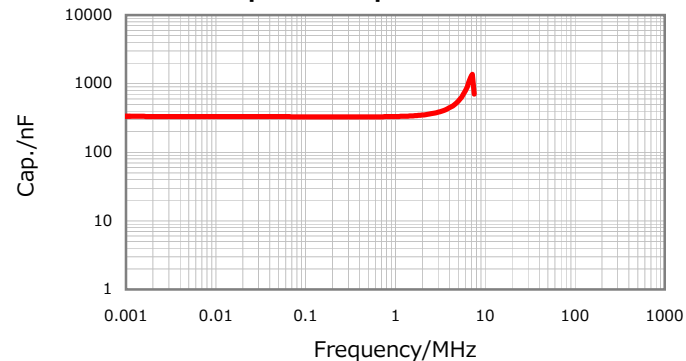
|Z|, ESR vs. Freq. Characteristics



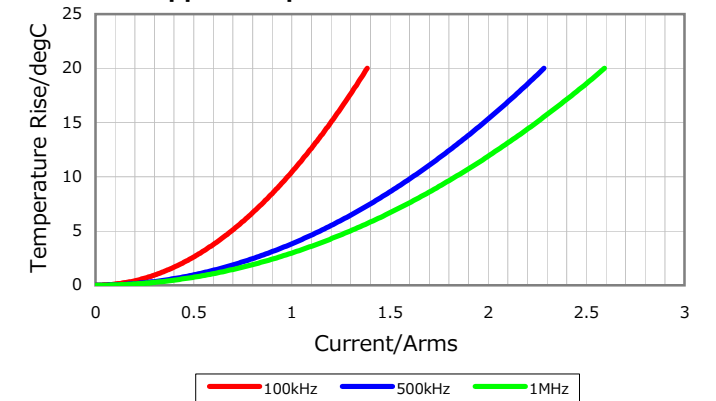
Temperature Characteristics



Cap. vs. Freq. Characteristic



Ripple Temperature Rise Characteristics



Characterization Sheet (Multilayer Ceramic Chip Capacitors)



All specifications are subject to change without notice.

January 4, 2016