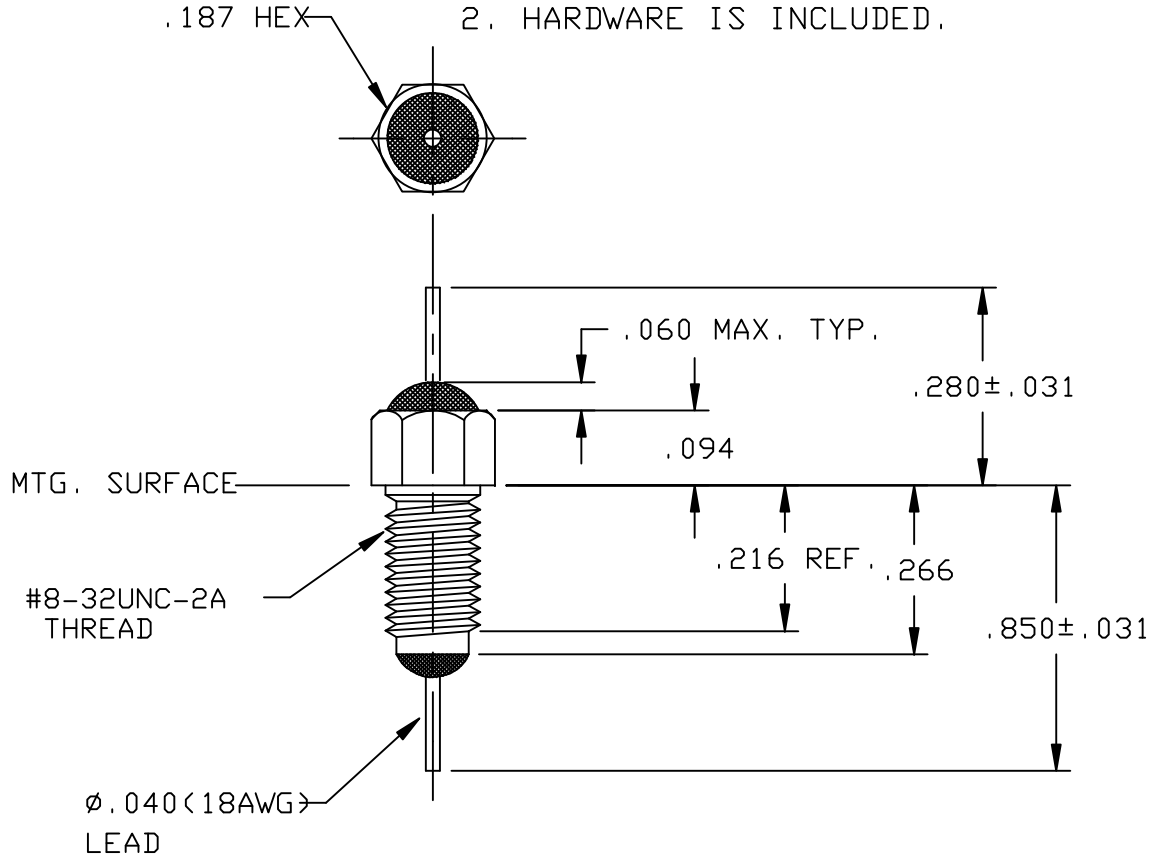


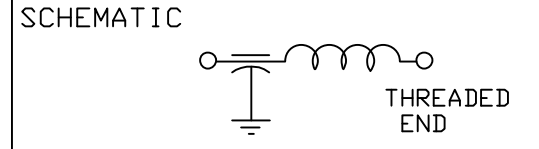
NOTES:

1. MAXIMUM MOUNTING TORQUE = 4 in.lbs.
2. HARDWARE IS INCLUDED.



LEAD FINISH:	SILVER
BUSHING FINISH:	SILVER
CAPACITANCE	22nF GMV
TEMP. RANGE	-55°C TO 125°C
CURRENT	10 AMP MAX.
WORKING VOLTAGE	85°C 100 VDC MAX. 125°C 100 VDC MAX.
D.C. RESISTANCE	.01ohms MAX.

MIN. I.L. PER MIL-STD-220 AT 25°C NO LOAD	
FREQ. MHz	I.L. (db)
1	7
10	27
100	43
1 GHz	60
10 GHz	60



MARKING:
 PART: S712003
 BAG:
 SCI 51-712-003
 DATE CODE
 LOT NO.
 QTY/BAG (100 MAX.)

48

CN. 173266	REV. CHANGE NOTICE NO.	TOLERANCES UNLESS OTHERWISE SPECIFIED	ERIE, FAIRVIEW PENNSYLVANIA
		Fract. 1/64	
CN. 173266	REV. CHANGE NOTICE NO.	Dec. .xx±	SPECTRUM CONTROL INC.
		Dec. .xxx±0.10	
CN. 173266	REV. CHANGE NOTICE NO.	Angles ±0° 30'	Dwn KAUFFMAN Ckd. 4-26-96
		CODE IDENT. NO. 0LSP2	
		Scale NONE	Descript. THRU RESIN SEAL FILTER
			51-712-003