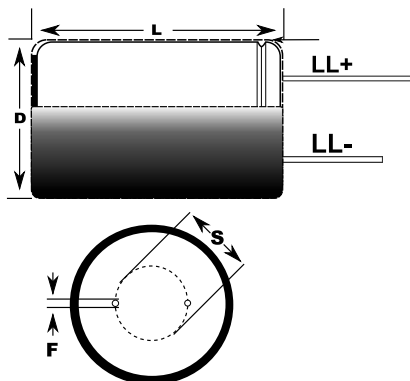


KEMET Part Number: ESY227M035AH1AA
(SY227M035AH1AAPLP)

Capacitor, aluminum, 220 uF, +/-20% Tol, -40/+105C, 35VDC@105° C



Dimensions (mm)		
Symbol	Dimension	Tolerance
D	10	+/-0.5
L	12	+1.5
S	5	+/-0.5
LLPos	20	MIN
LLNeg	15	MIN
F	0.6	

Packaging Specifications	
Package Kind:	Bulk
Package Quantity:	4000

General Information	
Supplier:	KEMET
Part Type Description:	Radial Cylindrical Aluminum Electrolytic
Style:	Radial Cylindrical
Lead Type:	Straight

Specifications	
Capacitance:	220 uF
Tolerance:	+/-20%
Rated Temperature:	105° C
Voltage @ rated temp:	35VDC
VDC Surge:	44VDC
Life @ rated temp:	4000 Hrs
RoHS:	Yes
Low Z/ESR:	Yes
Temperature Range:	-40/+105C
Leakage Condition:	2min/20c
Dissipation Factor:	12%
Impedance @ 100kHz:	53 mOhm
Impedance Ratio -25C:	2.0
Impedance Ratio -40C:	3.0
Ripple 120Hz @ rated temp:	0.721 A
Ripple 1kHz @ rated temp:	0.8755 A
Ripple 10kHz @ rated temp:	0.9785 A
Ripple 100kHz @ rated temp:	1.03 A