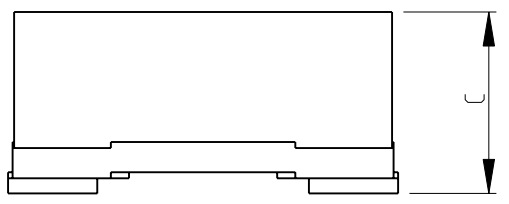
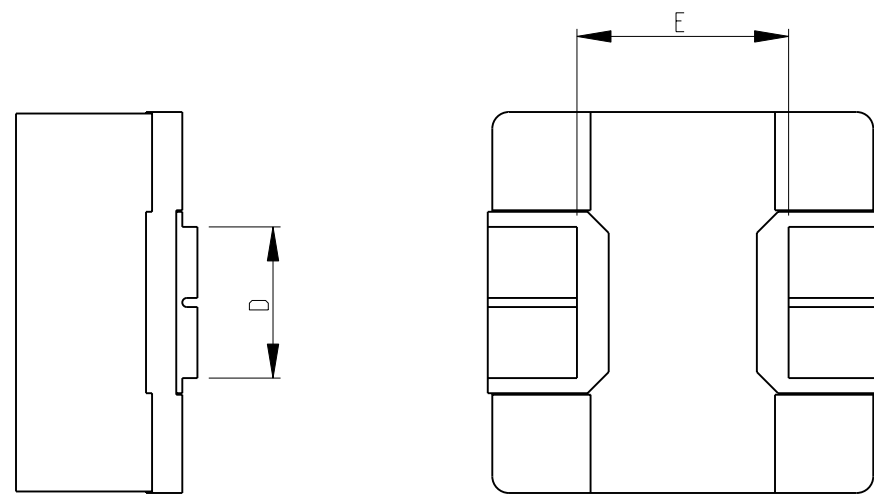
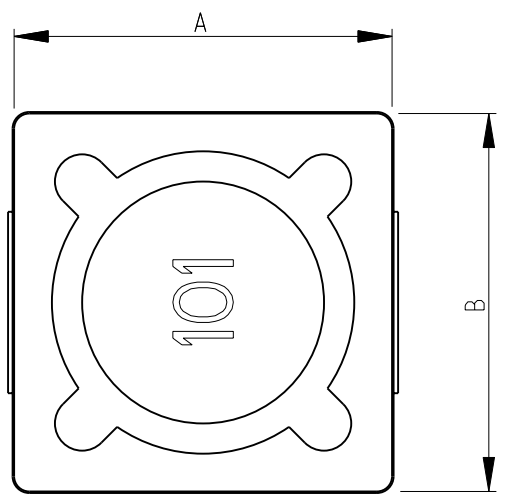


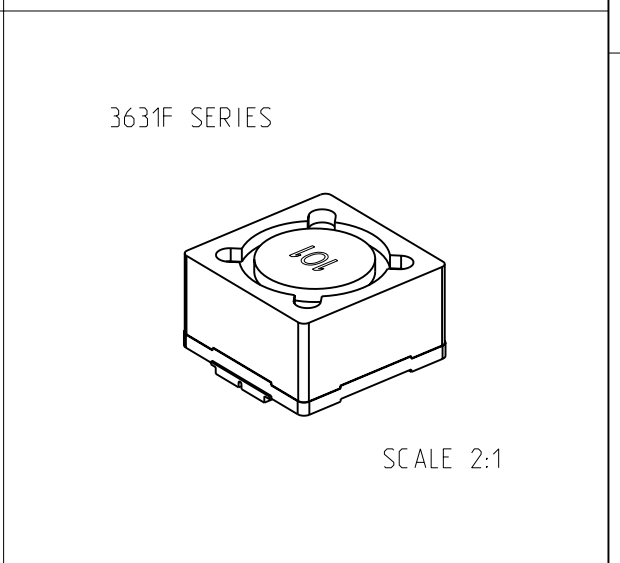
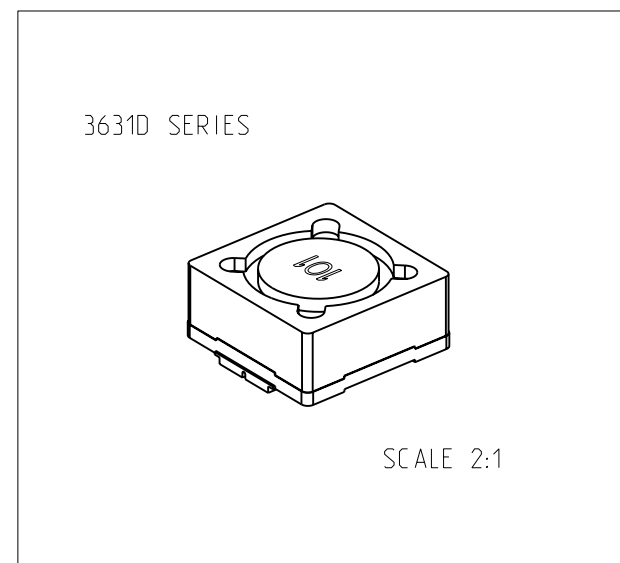
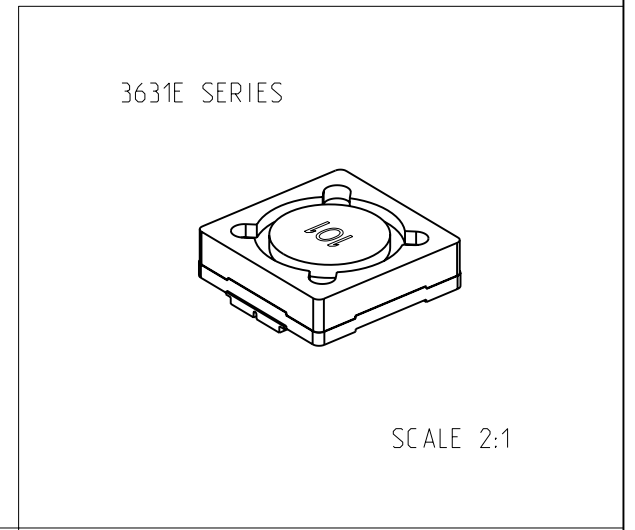
THIS DRAWING IS UNPUBLISHED. RELEASED FOR PUBLICATION 2008
 © COPYRIGHT 2008 BY TYCO ELECTRONICS CORPORATION. ALL RIGHTS RESERVED.

LOC	DIST	REVISIONS			
P	LTR	DESCRIPTION	DATE	DWN	APVD
E	B	BA	NEW RELEASE	03-Sep-08	SM St.P

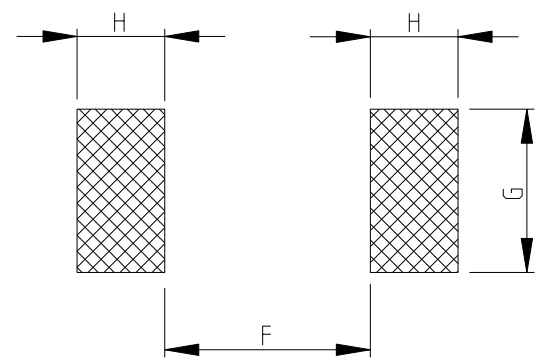


- 1 INDUCTANCE CODE
- 2 AVAILABLE IN 3 DIFFERENT SIZES
- 3 FOR FURTHER INFORMATION SEE DATA SHEET FOR 3631 SERIES-SHIELDED SMD POWER INDUCTORS

RoHS Compliant



RECOMMENDED LAND PATTERN FOR 3631D, 3631E, 3631F SERIES



SERIES	A±0.3	B±0.3	C±0.5	D±0.3	E (Typ)	F (Ref)	G (Ref)	H (Ref)
3631D	12.5	12.5	6.0	5.0	7.0	6.8	5.4	2.9
3631E	12.5	12.5	4.0	5.0	7.0	6.8	5.4	2.9
3631F	12.5	12.5	7.5	5.0	7.0	6.8	5.4	2.9

THIS DRAWING IS A CONTROLLED DOCUMENT FOR TYCO ELECTRONICS CORPORATION. IT IS SUBJECT TO CHANGE AND THE CONTROLLING ENGINEERING ORGANIZATION SHOULD BE CONTACTED FOR THE LATEST REVISION.

DWN SUBHASH.M 03-Sep-08	Tyco Electronics Corporation Dorcan, Swindon, SN3 5HH	NAME SHIELDED SMD POWER INDUCTORS SERIES 3631		
CHK PRAKASH.S 03-Sep-08				
APVD STEPHEN.P 03-Sep-08				
PRODUCT SPEC -				
APPLICATION SPEC -	SIZE A3	CAGE CODE 00779	DRAWING NO C-1676943	RESTRICTED TO -
MATERIAL -	WEIGHT -	CUSTOMER DRAWING		SCALE 4:1
DIMENSIONS: mm 		TOLERANCES UNLESS OTHERWISE SPECIFIED: 0 PLC ±0.5 1 PLC ±0.2 2 PLC ±0.1 3 PLC ± 4 PLC ± ANGLES ±5°		SHEET 1 OF 1 REV BA