

4

3

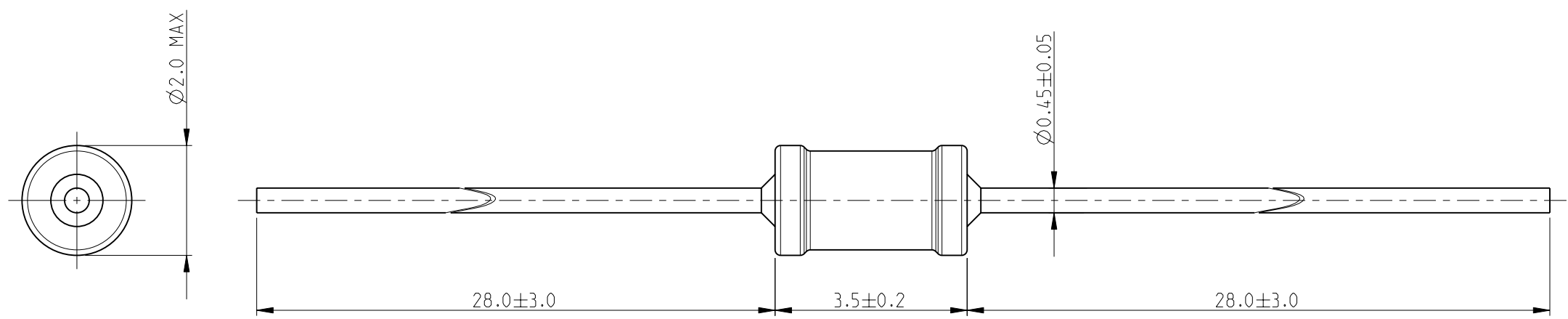
2

1

THIS DRAWING IS UNPUBLISHED. RELEASED FOR PUBLICATION 2009  
 © COPYRIGHT 2009 BY TYCO ELECTRONICS CORPORATION. ALL RIGHTS RESERVED.

LOC	DIST	REVISIONS			
P	LTR	DESCRIPTION	DATE	DWN	APVD
E	B	BA	NEW RELEASE	05-OCT-09	MRS St.P

FOR FURTHER INFORMATION SEE DATA SHEET FOR  
 SERIES LR, METAL FILM FIXED RESISTORS



RoHS Compliant

THIS DRAWING IS A CONTROLLED DOCUMENT FOR TYCO ELECTRONICS CORPORATION  
 IT IS SUBJECT TO CHANGE AND THE CONTROLLING ENGINEERING ORGANIZATION  
 SHOULD BE CONTACTED FOR THE LATEST REVISION.

DIMENSIONS:		TOLERANCES UNLESS OTHERWISE SPECIFIED:	
mm			
	0 PLC	$\pm 0.2$	
	1 PLC	$\pm 0.1$	
	2 PLC	$\pm -$	
	3 PLC	$\pm -$	
	4 PLC	$\pm -$	
	ANGLES	$\pm 5^\circ$	
MATERIAL	-	FINISH	-

DWN	MAHARUDRA	05-OCT-09
CHK	ALLAN.P	05-OCT-09
APVD	STEPHEN.P	05-OCT-09
PRODUCT SPEC	-	
APPLICATION SPEC	-	
WEIGHT	-	
CUSTOMER DRAWING		

		Tyco Electronics Corporation Dorcan, Swindon, SN3 5HH	
NAME METAL FILM FIXED RESISTORS SERIES LR0204			
SIZE	CAGE CODE	DRAWING NO	RESTRICTED TO
A3	00779	C-1622238	-
SCALE 10:1		SHEET 1 OF 1	REV BA