



## Wireless Charging

# Tx (Transmitting) Coil Units

---

**WT505090-20K2-A10-G**

**WT505090-10K2-A11-G**

**WT525225-20K2-A1-G**

**WT1005690-12K2-A6-G**

---

# Wireless Charging

## Overview of Tx Coil Units

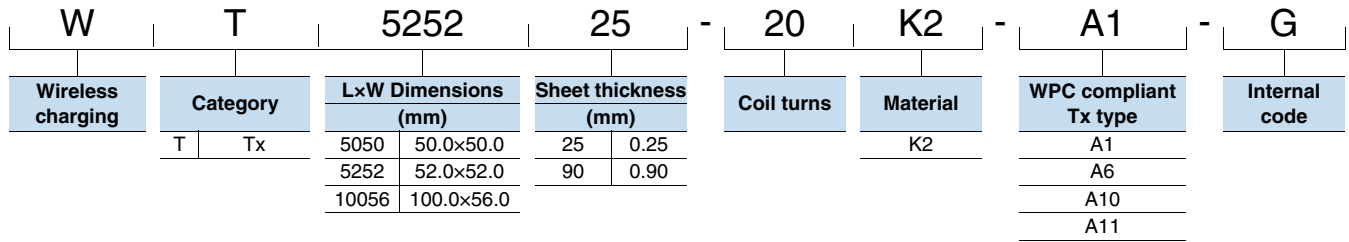
### FEATURES

- Tx coil units for WPC low-power (5W) specification.
- Got WPC approval for ferrite sheet.
- Thinner flexible ferrite sheet type is available for durable construction.
- Performance had been confirmed based on WPC equipments.

### APPLICATION

Various types of battery chargers (WPC compliant)

### PART NUMBER CONSTRUCTION



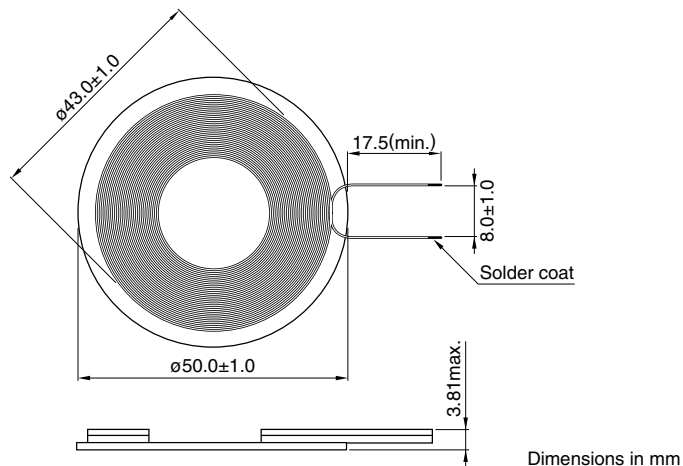
○ Halogen-free: Indicates that Cl content is less than 900ppm, Br content is less than 900ppm, and that the total Cl and Br content is less than 1500ppm.

• All specifications are subject to change without notice.

## Tx Coil Units

## WT505090-20K2-A10-G

## ■ SHAPE &amp; DIMENSIONS



## ■ ELECTRICAL CHARACTERISTICS

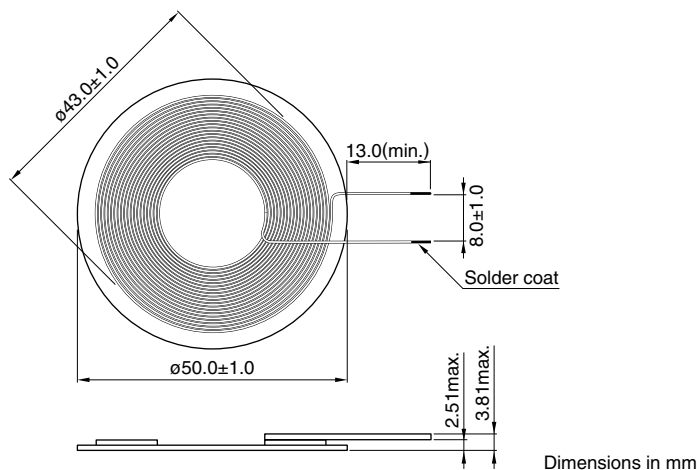
## □ CHARACTERISTICS SPECIFICATION TABLE

Part No.	WT505090-20K2-A10-G
WPC Compliant	WPC A10
Input Voltage (V)	19 (A10)
Inductance (μH) [100kHz, 1Vrms]	24
DC resistance (Ω) max. [25°C]	0.10
Ferrite type	Flexible
Magnet (mm)	Nothing
Sheet Size (mm)	ø50
Coil Turns	10ts x 2Layers 20Ts
Thickness of Coil + Sheet (mm) typ.	3.13
Thickness of Incl. I/O (mm) typ.	—
Coil Outer Size (mm) typ.	ø43

## Tx Coil Units

# WT505090-10K2-A11-G

## SHAPE & DIMENSIONS



## ELECTRICAL CHARACTERISTICS

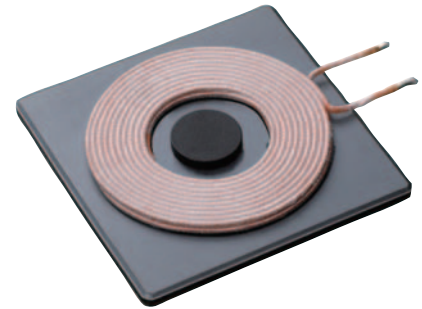
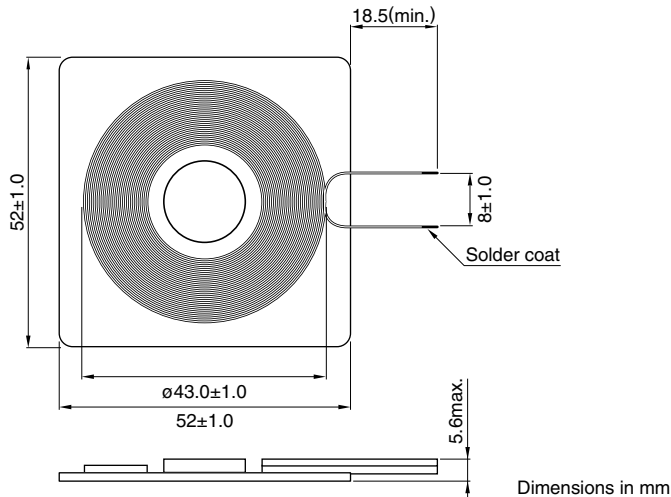
### CHARACTERISTICS SPECIFICATION TABLE

Part No.	WT505090-10K2-A11-G
WPC Compliant	WPC A11
Input Voltage (V)	5 (A11)
Inductance (μH) [100kHz, 1Vrms]	6.3
DC resistance (Ω) max. [25°C]	0.06
Ferrite type	Flexible
Magnet (mm)	Nothing
Sheet Size (mm)	ø50
Coil Turns	10ts x 1Layers
Thickness of Coil + Sheet (mm) typ.	2.08
Thickness of Incl. I/O (mm) typ.	3.13
Coil Outer Size (mm) typ.	ø43

## Tx Coil Units

# WT525225-20K2-A1-G

## SHAPE & DIMENSIONS



## ELECTRICAL CHARACTERISTICS

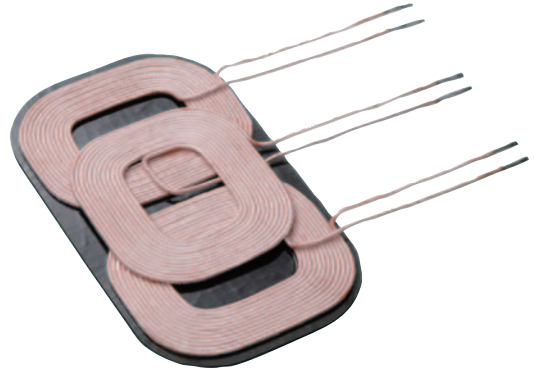
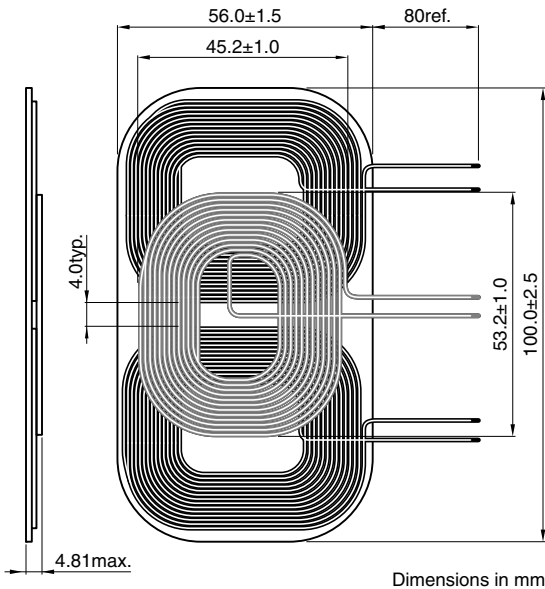
### CHARACTERISTICS SPECIFICATION TABLE

Part No.	WT525225-20K2-A1-G
WPC Compliant	WPC A1 and WPC A9
Input Voltage (V)	19 (A1), 12 (A9)
Inductance (μH) [100kHz, 1Vrms]	24
DC resistance (Ω) max. [25°C]	0.10
Ferrite type	Solid
Magnet (mm)	Bond Mg 12.5x2.0
Sheet Size (mm)	52.0 x 52.0
Coil Turns	10ts x 2Layers 20Ts
Thickness of Coil + Sheet (mm) typ.	4.63
Thickness of Incl. I/O (mm) typ.	—
Coil Outer Size (mm) typ.	φ43

## Tx Coil Units

## WT1005690-12K2-A6-G

## SHAPE &amp; DIMENSIONS



## ELECTRICAL CHARACTERISTICS

## CHARACTERISTICS SPECIFICATION TABLE

Part No.	WT1005690-12K2-A6-G
WPC Compliant	WPC A6
Input Voltage (V)	12 (A6)
Inductance ( $\mu\text{H}$ ) [100kHz, 1Vrms]	11.5 to 12.5
DC resistance ( $\Omega$ ) max. [25°C]	0.08
Ferrite type	Flexible
Magnet (mm)	Nothing
Sheet Size (mm)	100.0 x 56.0
Coil Turns	12ts x 1Layers, 3 coils
Thickness of Coil + Sheet (mm) typ.	Bottom 2.53
Thickness of Incl. I/O (mm) typ.	Top Coil 4.03
Coil Outer Size (mm) typ.	53.2 x 45.2

• All specifications are subject to change without notice.