

CGA4C2C0G1H822J060AD

TDK Item Description : CGA4C2C0G1H822JT***B



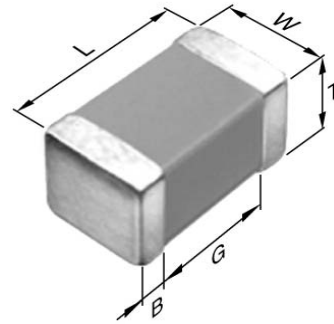
Equivalent C2012C0G1H822J for Automotive

Application & Main Feature

Automotive Grade (Conductive Epoxy Application)

Series

CGA4(2012) [EIA CC0805]



Dimensions

L 2.00mm +/-0.25mm
W 1.25mm +/-0.25mm
T 0.60mm +/-0.15mm
B 0.20mm Min.
G 0.50mm Min.

Temperature Characteristic

C0G (-55 to 125 degC 0+/-30ppm/degC)

Rated Voltage

1H (50Vdc)

Capacitance

8.2nF

Capacitance Tolerance

J (+/-5%)

Q Factor

1000 Min.

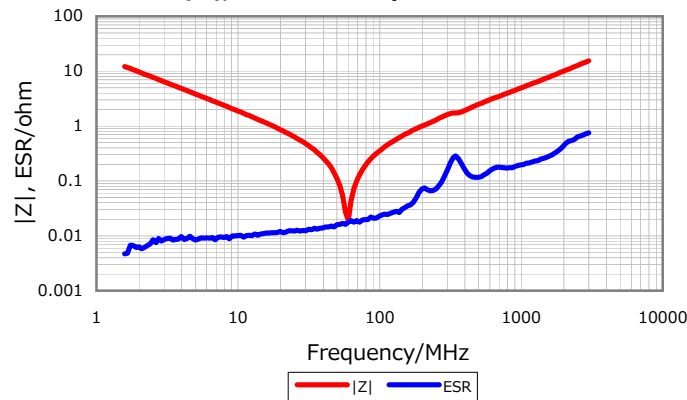
Insulation Resistance

10Gohm Min.

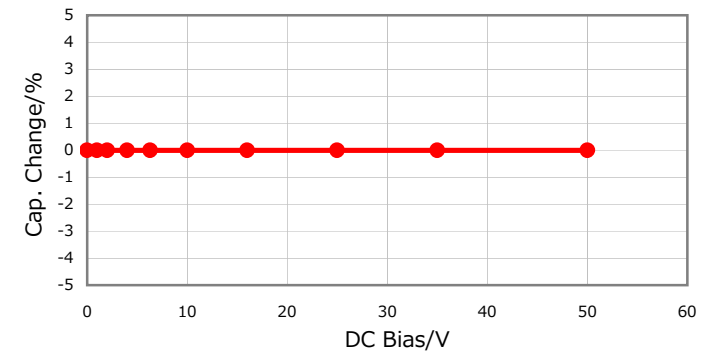
AEC-Q200

Yes

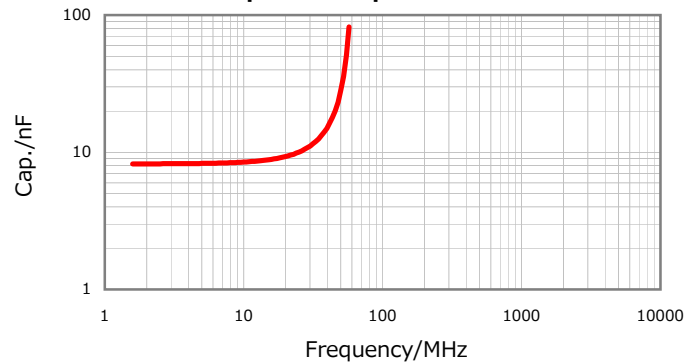
|Z|, ESR vs. Freq. Characteristics



DC Bias Characteristic



Cap. vs. Freq. Characteristic



Temperature Characteristics

