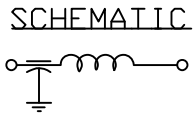
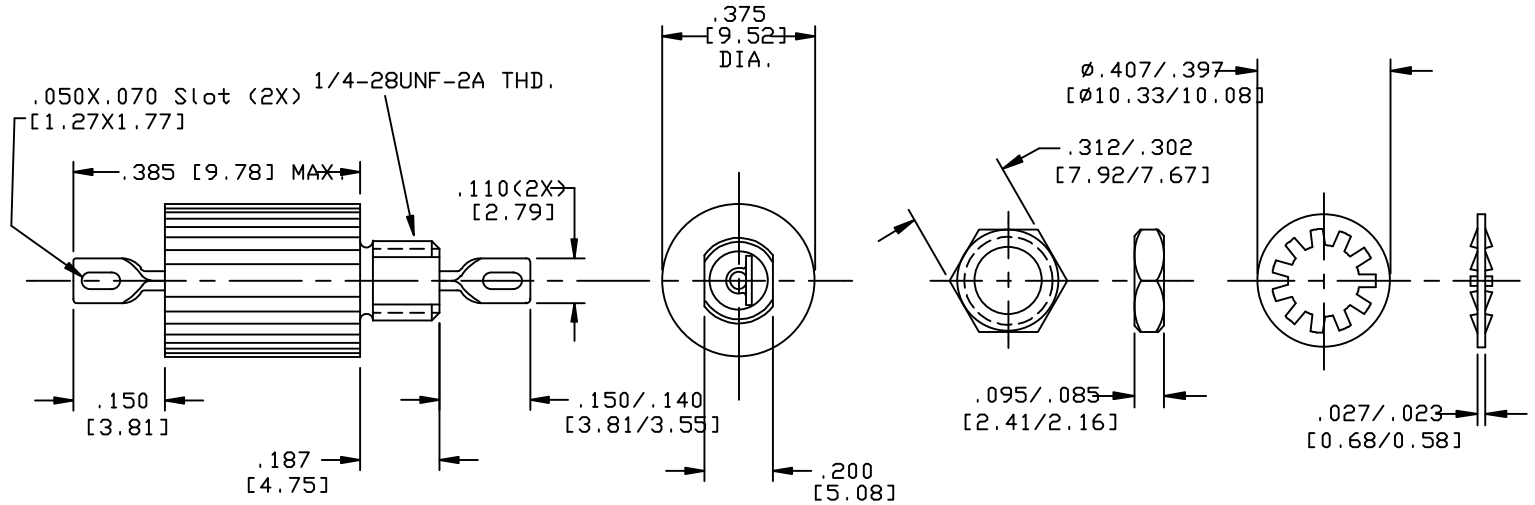


CASE FINISH	CURRENT (AMPS)	WORKING VOLTAGE				MAXIMUM DC RESISTANCE (OHMS)	MAXIMUM VOLTAGE DROP		MINIMUM CAPACITANCE (uF)	MIN. INSERTION LOSS PER MIL-STD-220 FULL LOAD, +25°C												
		-55°C TO +85°C		-55°C TO +125°C			DC	AC		14	30	50	75	100	150	300	500	1	10	100	1	10
		AC	DC	AC	DC					KHz	KHz	KHz	KHz	KHz	KHz	KHz	KHz	MHz	MHz	MHz	GHz	GHz
SOLDER	15	--	80	--	50	0.008	--	--	1.4	--	15	--	--	25	28	33	--	44	60	70	70	--

PART MARKING:
 SCI 9053-100-0001
 DATE CODE

PACKAGE MARKING:
 STANDARD

MARKING NOTES:
 N/A



MTG. HARDWARE

NOTES:

1) MOUNTING TORQUE NOT TO EXCEED 7 in-lbs.

REV	NO.	CHANGE NOTIC	UNLESS OTHERWISE SPECIFIED DIMENSIONS ARE IN INCHES. [MILLIMETERS] DO NOT SCALE.	TOLERANCES UNLESS OTHERWISE SPECIFIED	ERIE, FAIRVIEW PENNSYLVANIA
2	1			Fractions Dec. $.xx \pm$ Dec. $.xxx \pm 010$ Angles $\pm 0^\circ 30'$	
				CODE IDENT. NO. DLSP2	
				Dwn MAYNARD Ckd 3/31/98 Sheet 1 of 1	Description Pass EMI Filter 9053-100-0001

Quality Products From The Specialists In Electro-Magnetic Compatibility