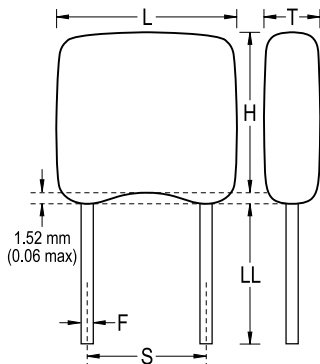


Capacitor, Ceramic, 0.33 uF, +/-10% Tol, 630 V, X7R, Lead Spacing=0.2"



General Information	
Supplier:	KEMET
Application:	General Purpose
Part Type Description:	GoldMax, Commercial Standard
Temperature Coefficient:	X7R
Body Type:	Radial Conformal
Lead Type:	Wire Leads
Termination Type:	Tin (Sn)
RoHS:	Yes

Dimensions (mm)		
Symbol	Dimension	Tolerance
L	7.62	MAX
H	9.14	MAX
T	5.08	MAX
S	5.08	NOM
LL	7	MIN
F	0.51	NOM

Specifications	
Capacitance:	0.33 uF
Voltage:	630 V
Tolerance:	+/-10%
Temperature Range:	-55/+125C
Failure Rate:	N/A
Dissipation Factor:	2.5%
Insulation Resistance:	3.03 GOhm
Dielectric Strength:	945 V

Packaging Specifications	
Package Kind:	T&R
Package Size:	12in
Package Type:	H0=18mm
Package Quantity:	1500