

CGA8N4X7T2W474M230KE

TDK Item Description : CGA8N4X7T2W474MT***S



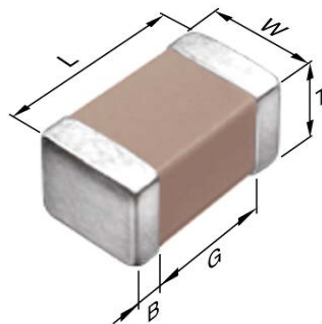
Equivalent C4532X7T2W474M for Automotive

Application & Main Feature

Automotive Grade (Soft Termination)

Series

CGA8(4532) [EIA CC1812]



Dimensions

| | |
|---|--------------------|
| L | 4.50mm +0.5,-0.4mm |
| W | 3.20mm +/-0.4mm |
| T | 2.30mm +0.3,-0.2mm |
| B | 0.20mm Min. |
| G | |

Temperature Characteristic

X7T (-55 to 125 degC +22,-33%)

Rated Voltage

2W (450Vdc)

Capacitance

470nF

Capacitance Tolerance

M (+/-20%)

Dissipation Factor

2.5% Max.

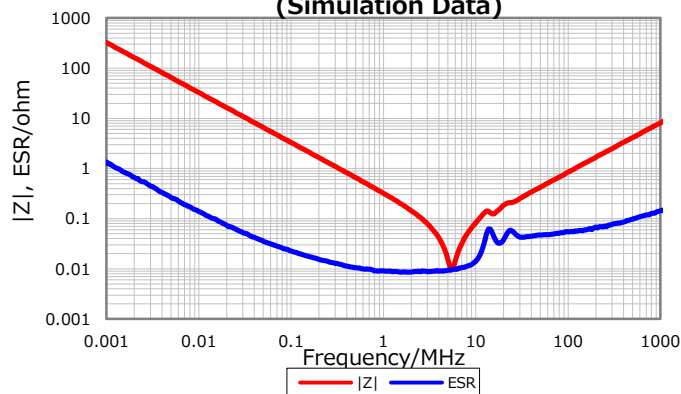
Insulation Resistance

1.063Gohm Min

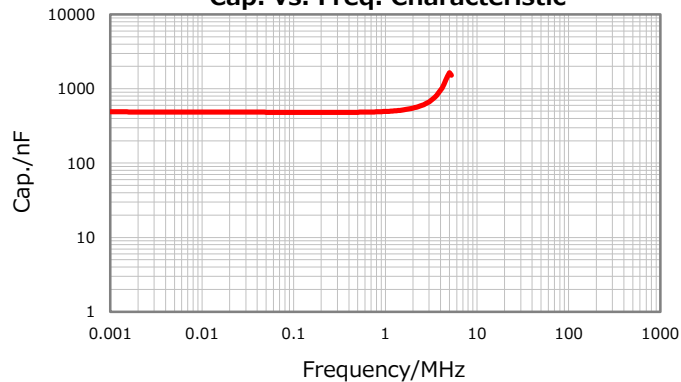
AEC-Q200

Yes

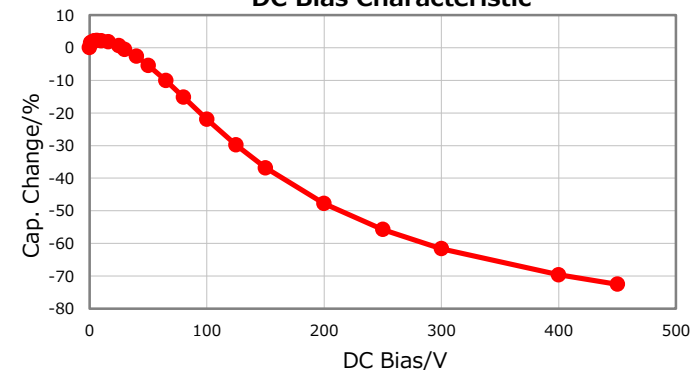
|Z|, ESR vs. Freq. Characteristics (Simulation Data)



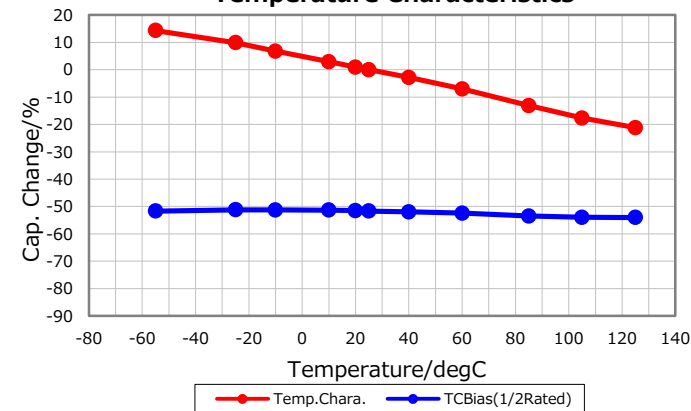
Cap. vs. Freq. Characteristic



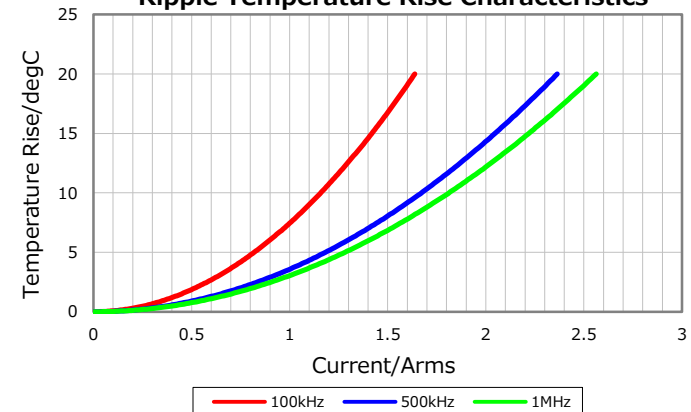
DC Bias Characteristic



Temperature Characteristics



Ripple Temperature Rise Characteristics



Characterization Sheet (Multilayer Ceramic Chip Capacitors)



All specifications are subject to change without notice.

March 17, 2017